



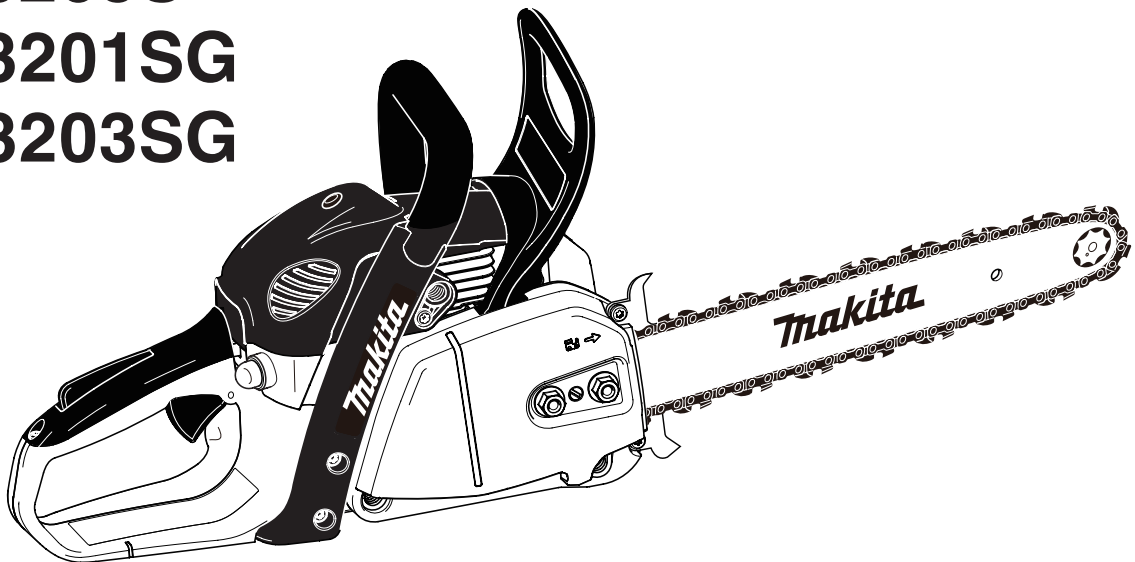
**Instruction Manual**  
**Manual de instrucciones**  
**Manual de Instruções**

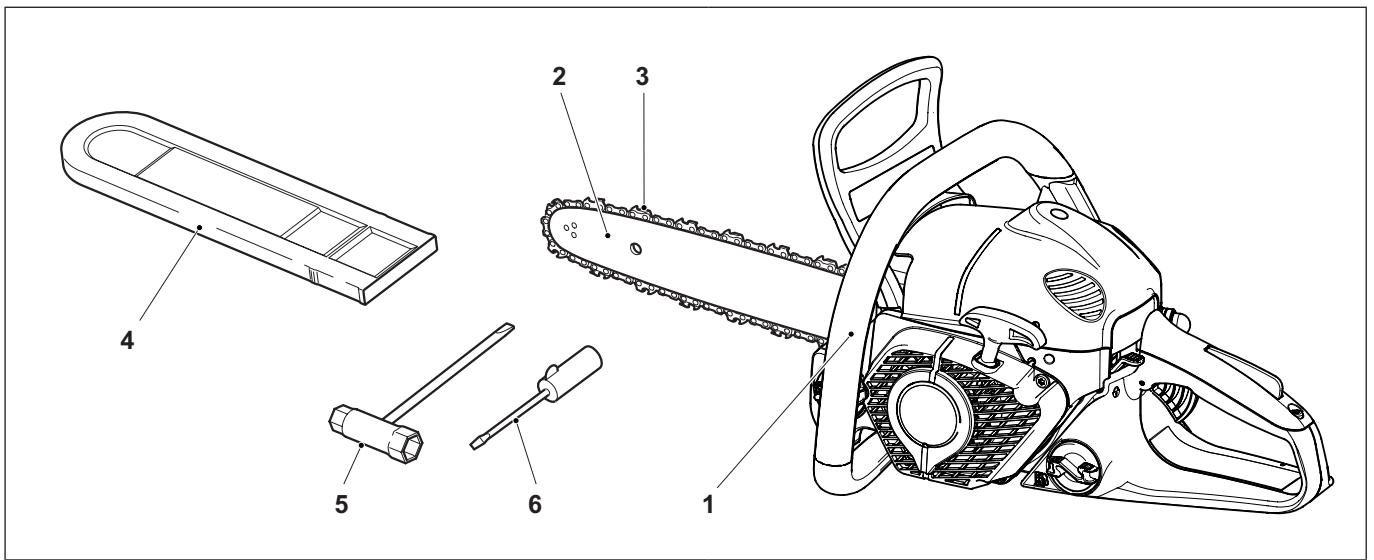
**Important:** Read this instruction manual carefully before putting the petrol chain saw into operation and strictly observe the safety regulations! Keep this instruction manual!

**Atención:** Es indispensable leer con mucha atención las instrucciones de manejo antes de utilizar la motosierra por primera vez. ¡Preste especial atención a las recomendaciones de seguridad! Conserve cuidadosamente estas instrucciones de manejo.

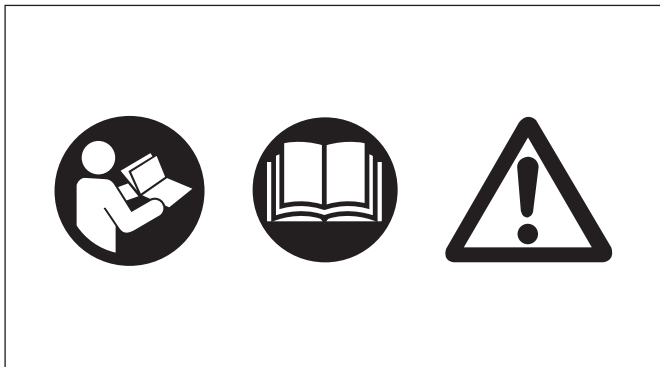
**Atenção:** Antes da primeira colocação em serviço da motosserra a gasolina, ler atentamente estas instruções de serviço e seguir sem falta as normas de segurança! Guardar bem as instruções de serviço!

**EA3200S**  
**EA3201S**  
**EA3202S**  
**EA3203S**  
**EA3201SG**  
**EA3203SG**

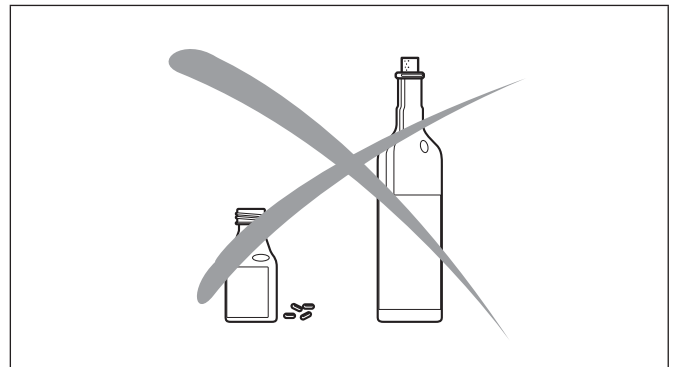




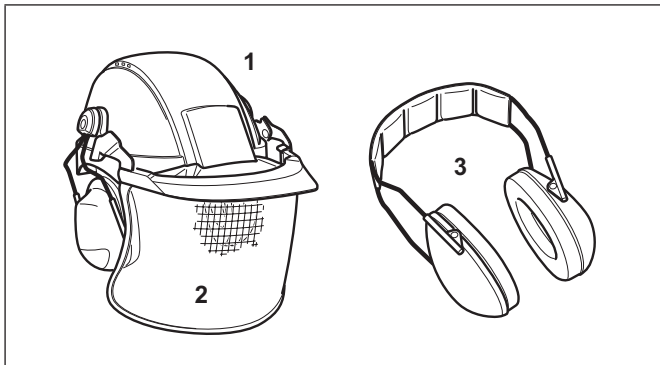
1



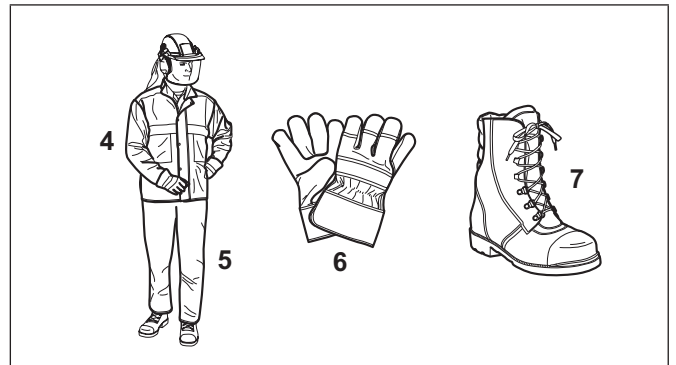
2



3



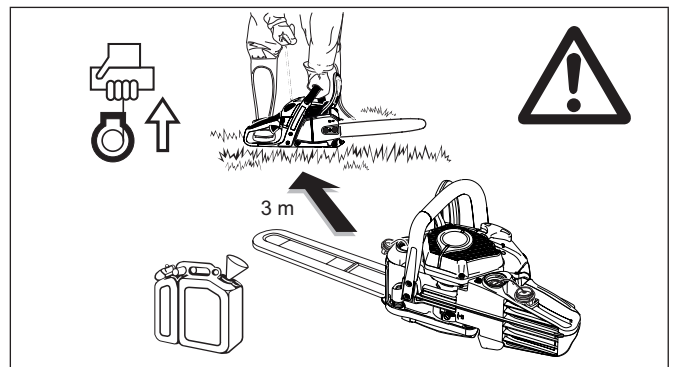
4



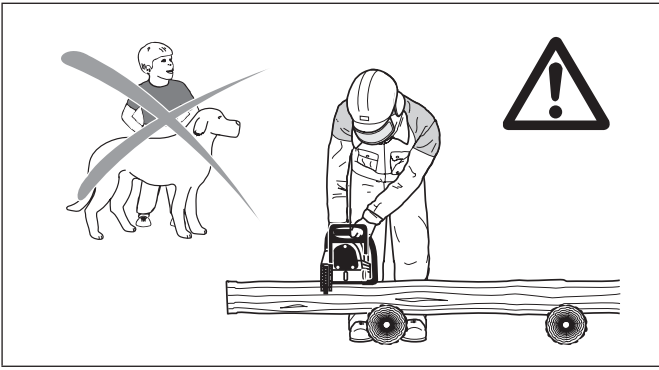
5



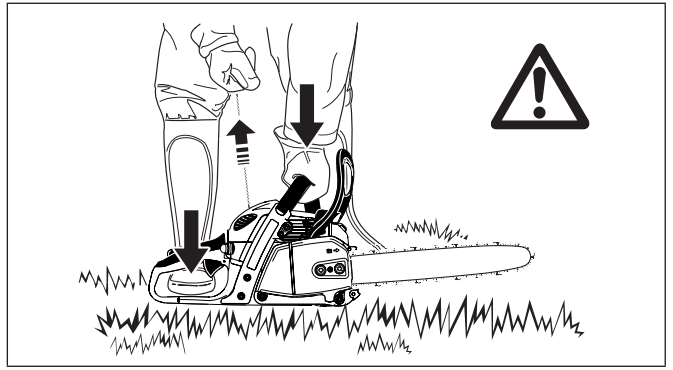
6



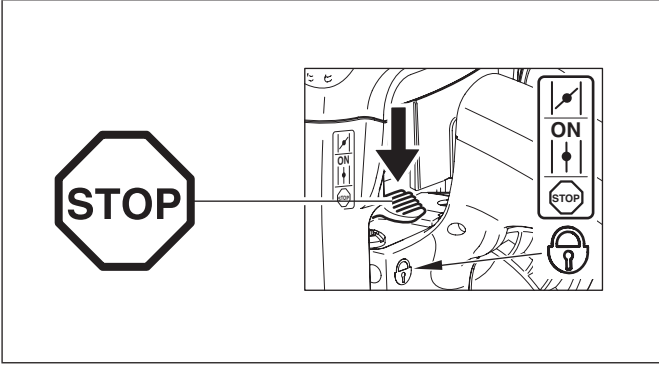
7



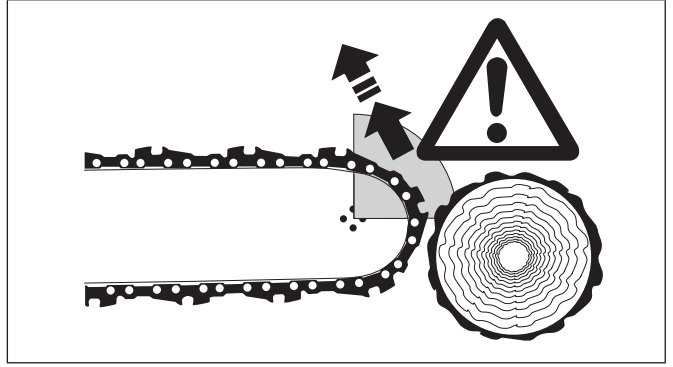
8



9



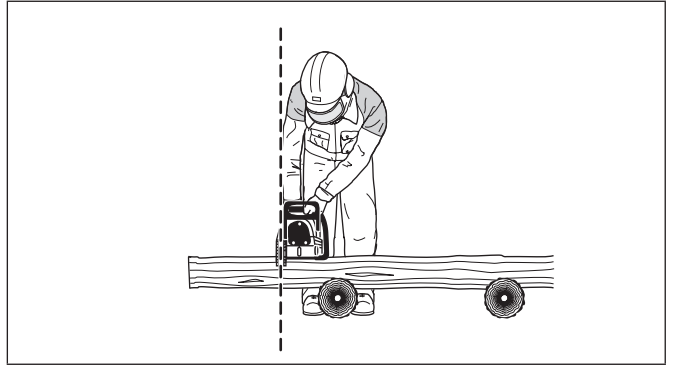
10



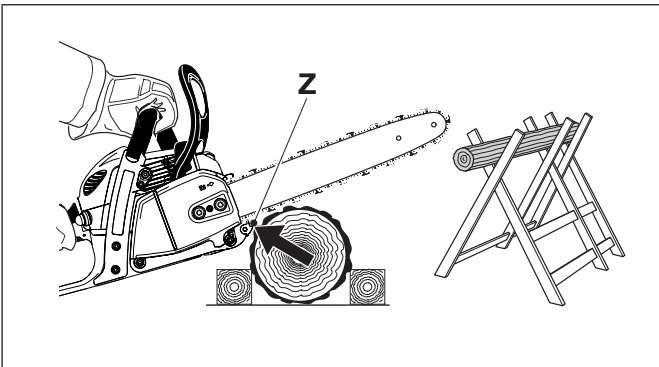
11



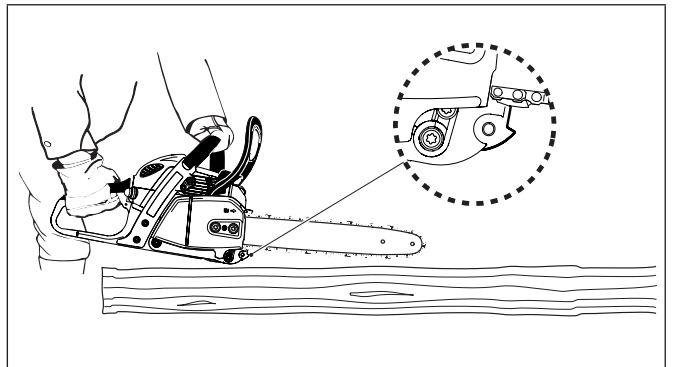
12



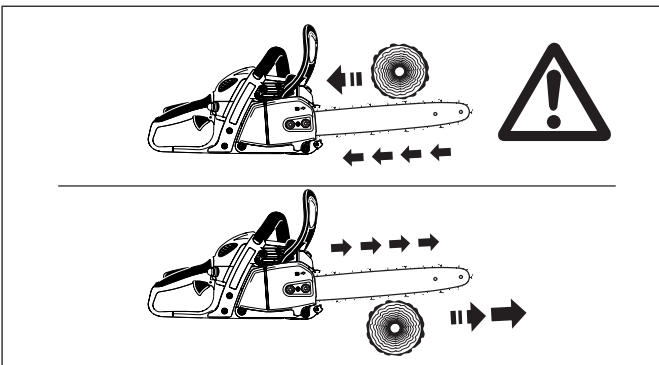
13



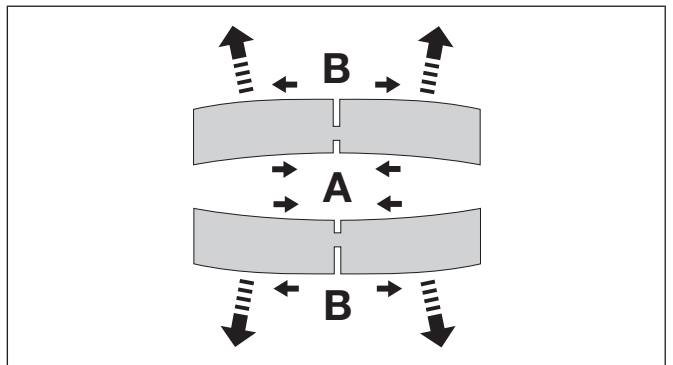
14



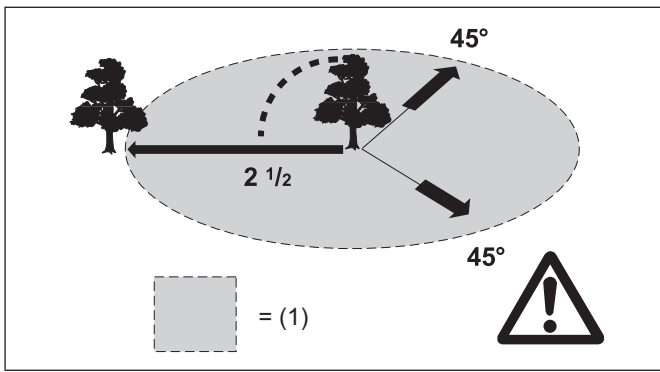
15



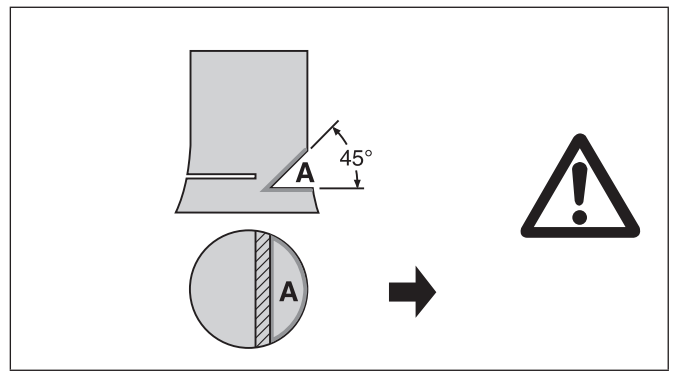
16



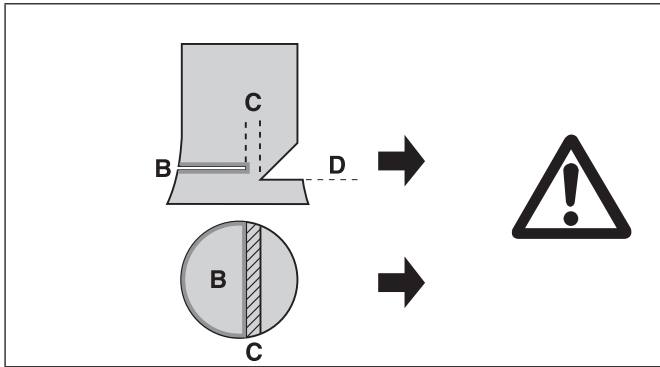
17



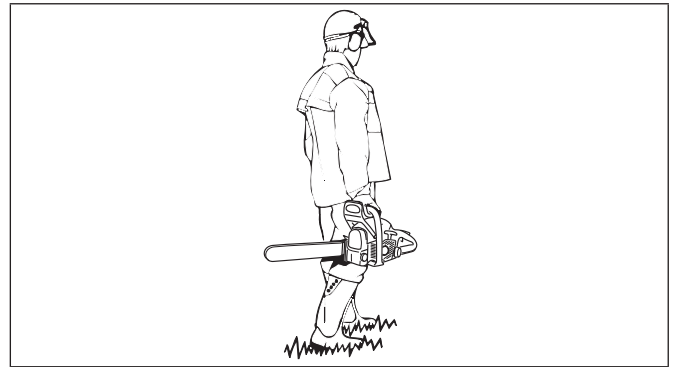
18



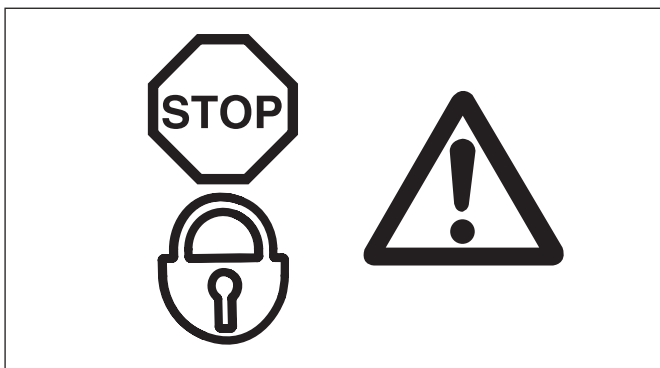
19



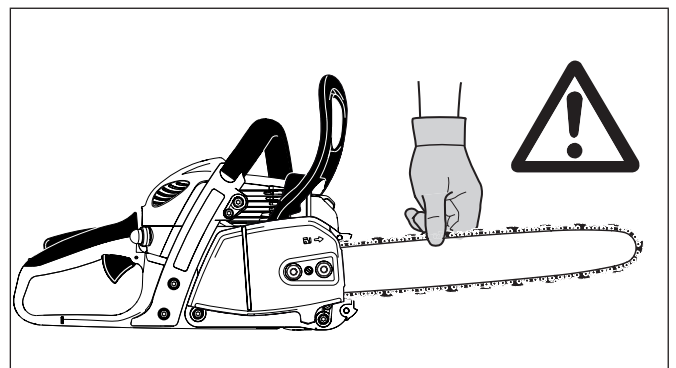
20



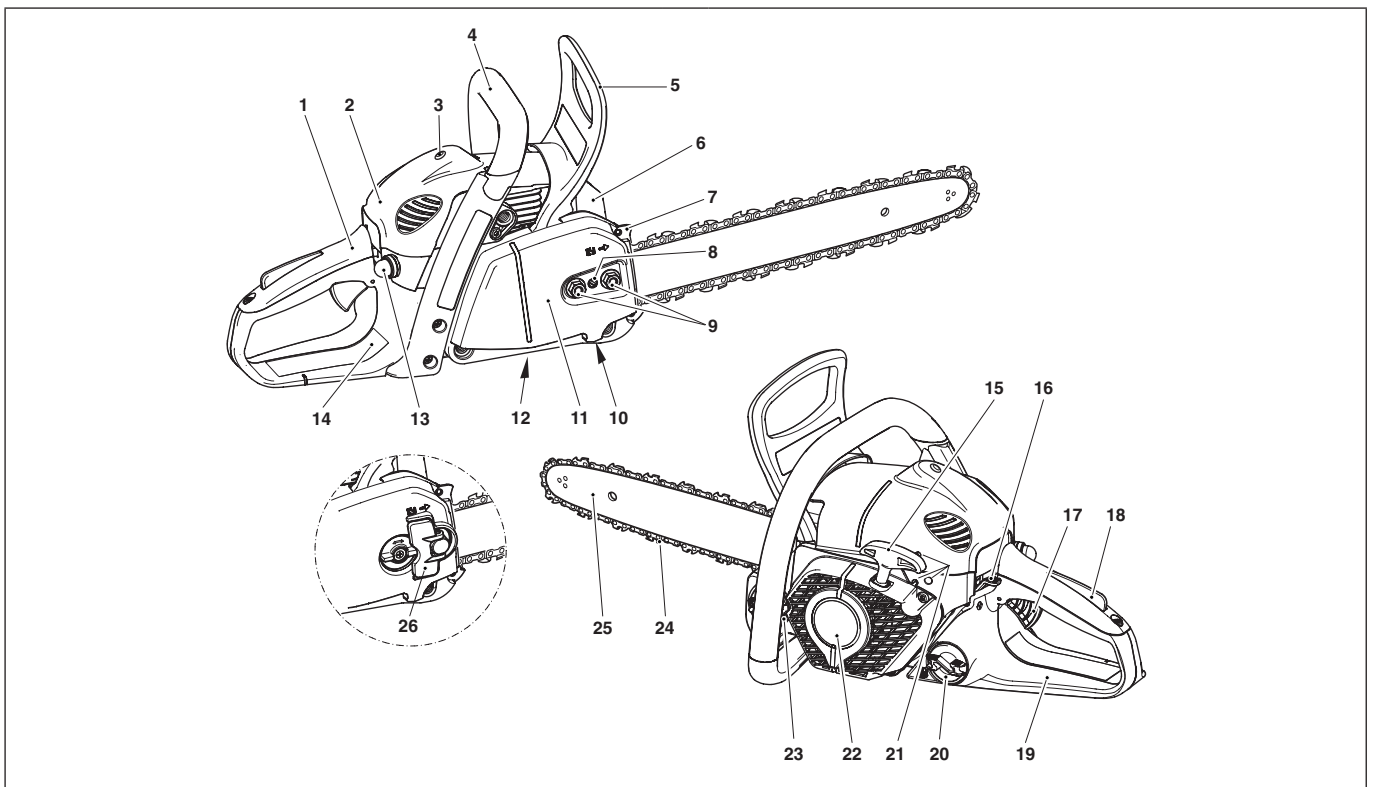
21



22

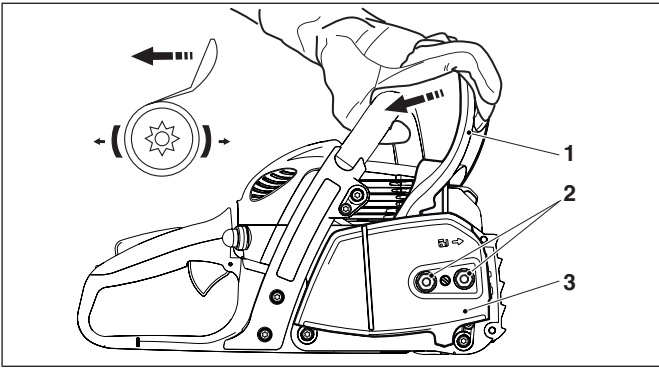


23

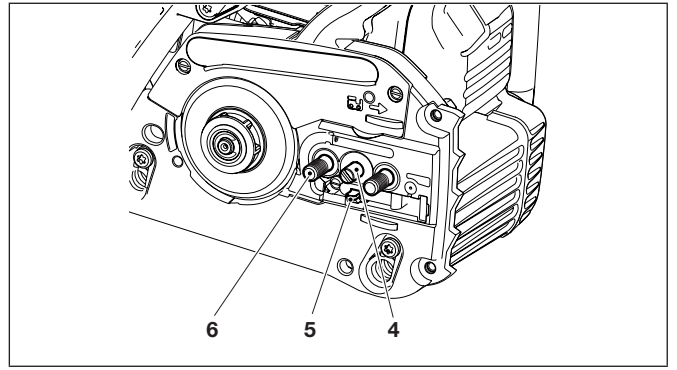


24

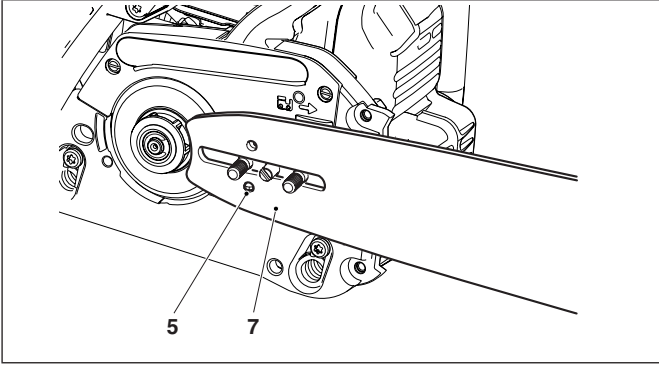




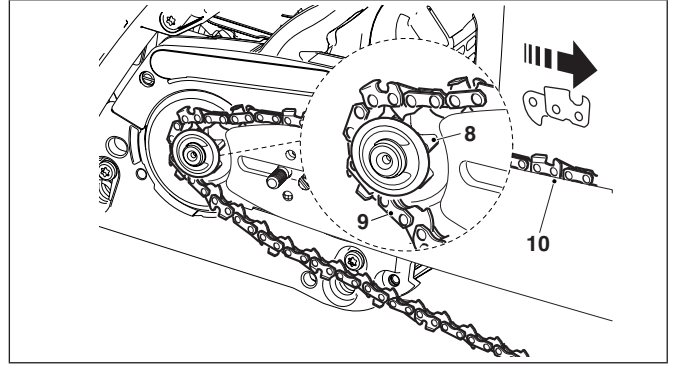
25



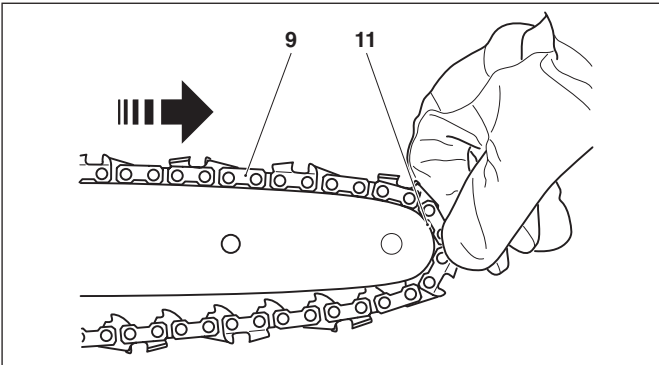
26



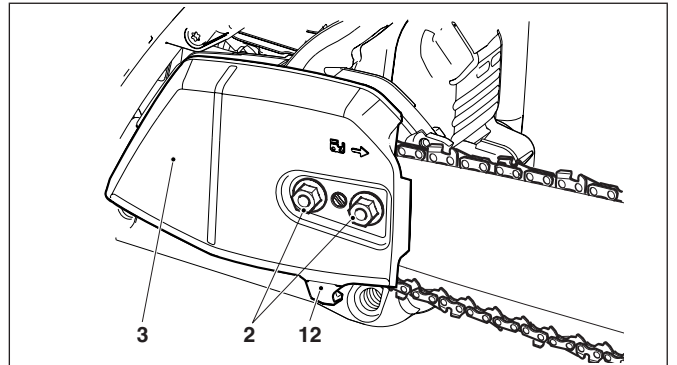
27



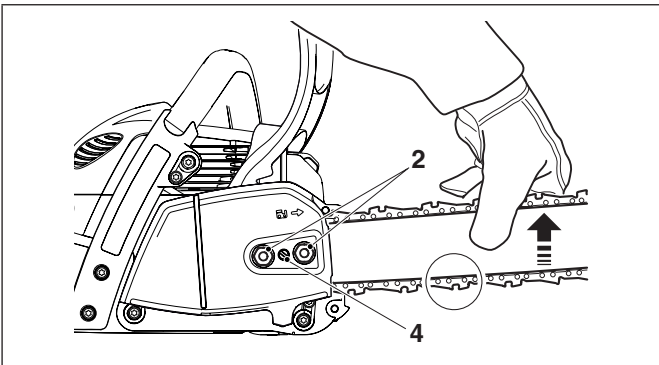
28



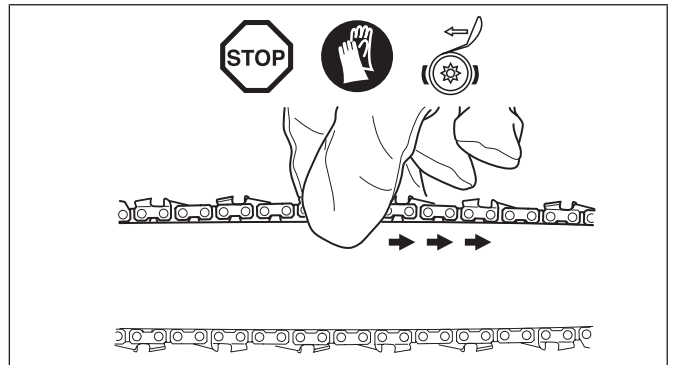
29



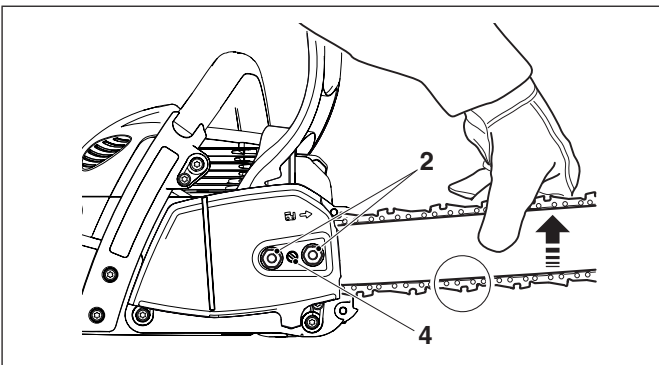
30



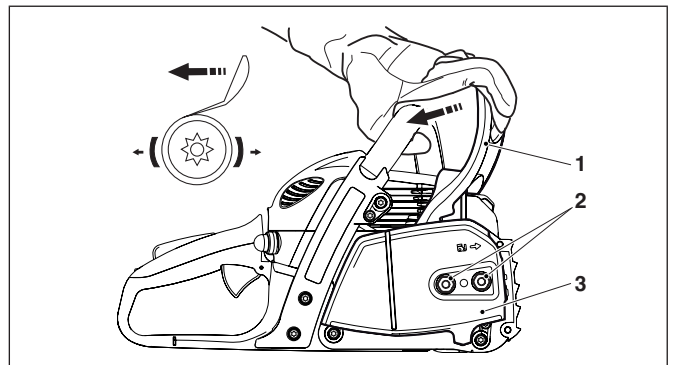
31



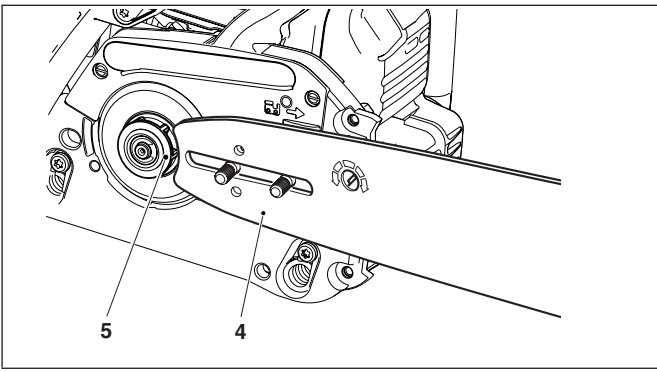
32



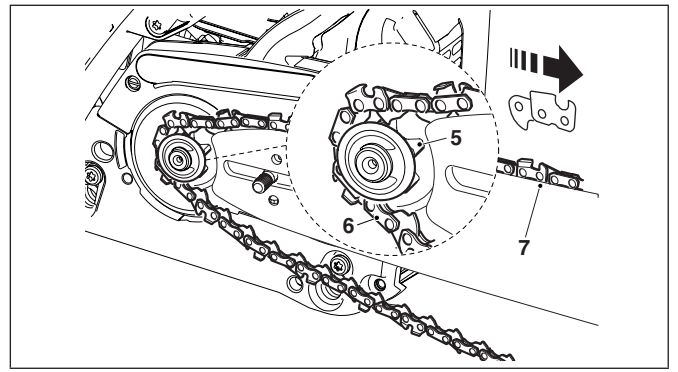
33



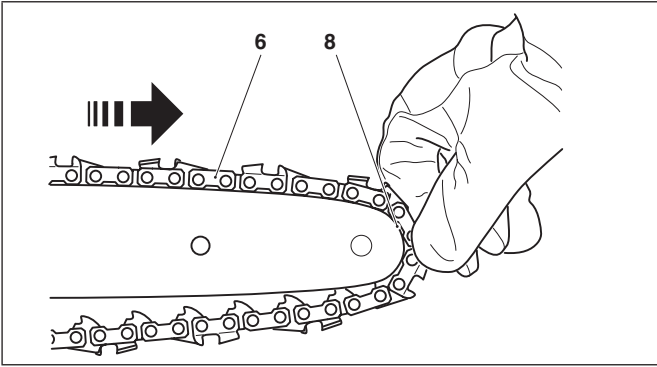
34



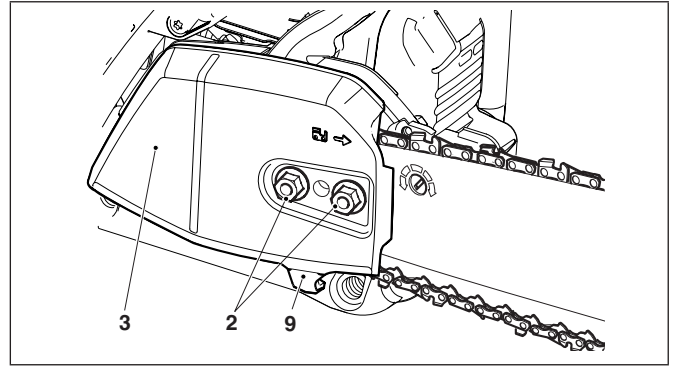
35



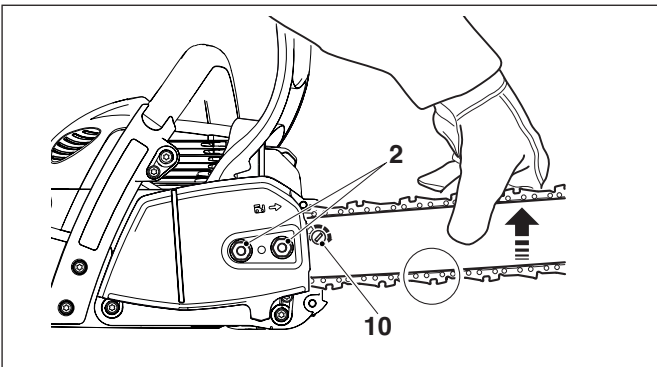
36



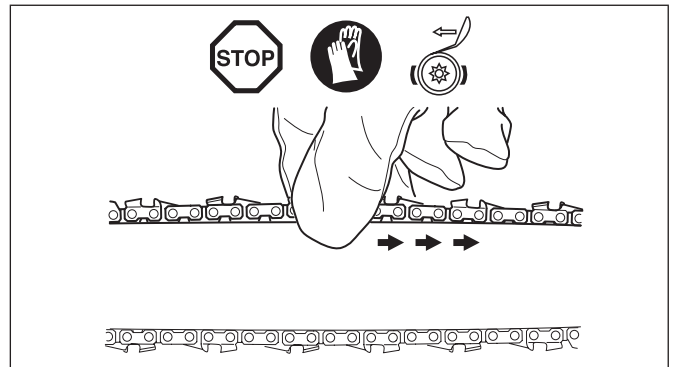
37



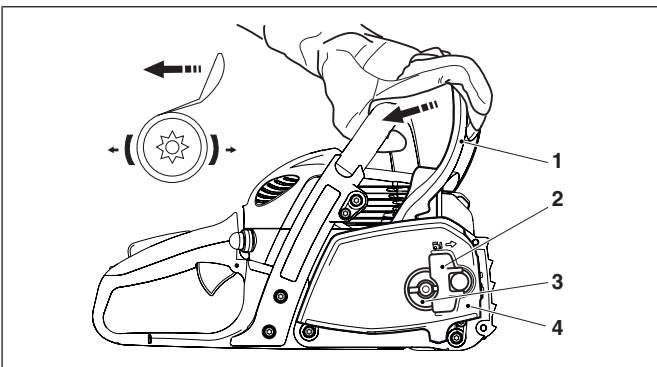
38



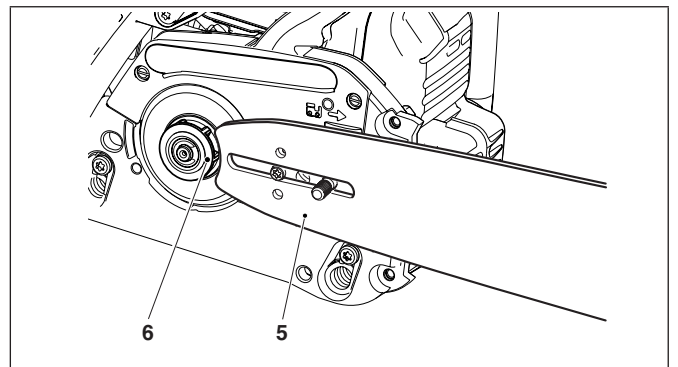
39



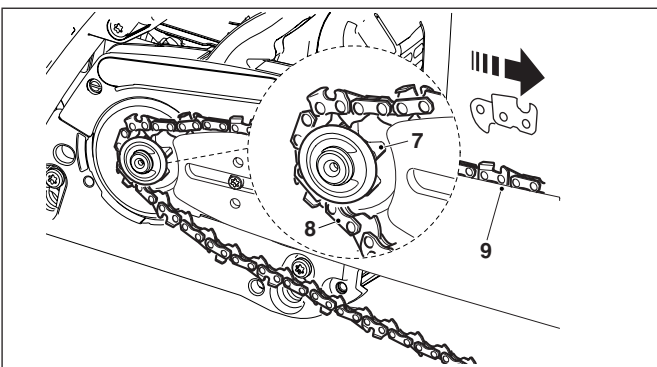
40



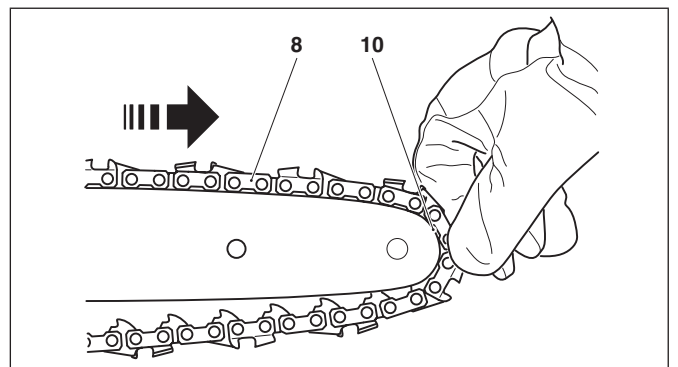
41



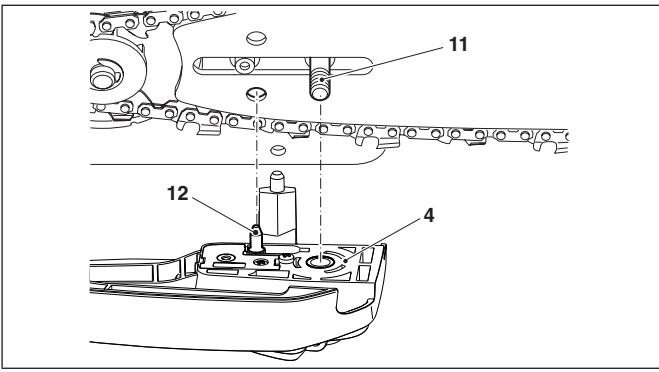
42



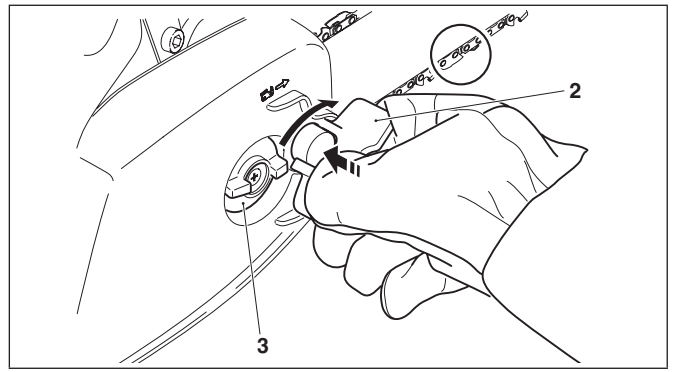
43



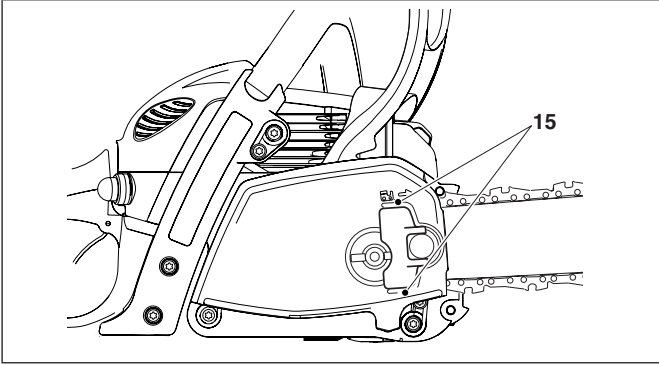
44



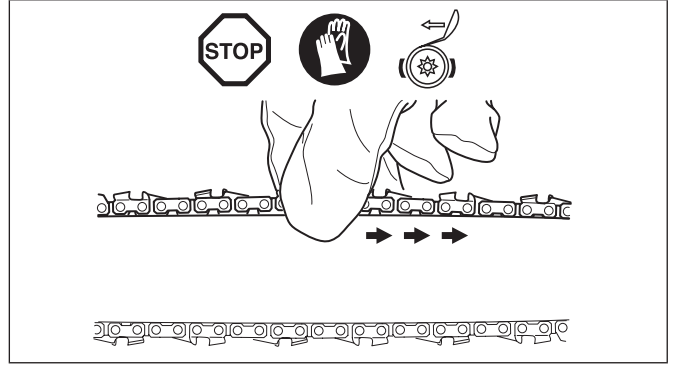
45



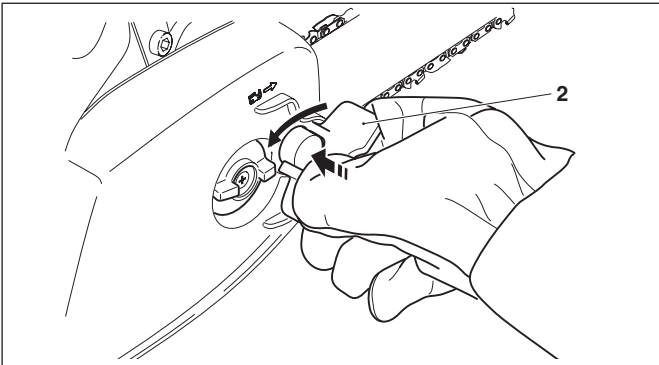
46



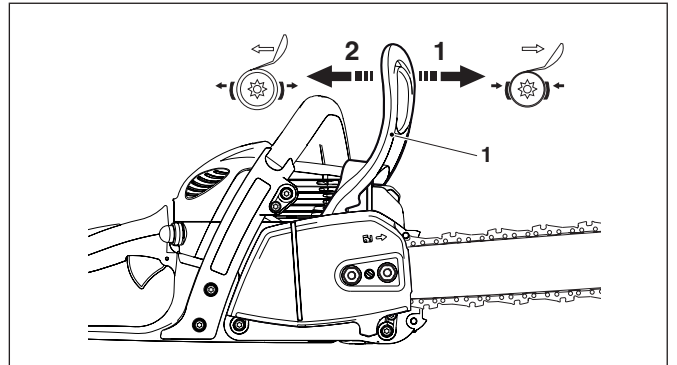
47



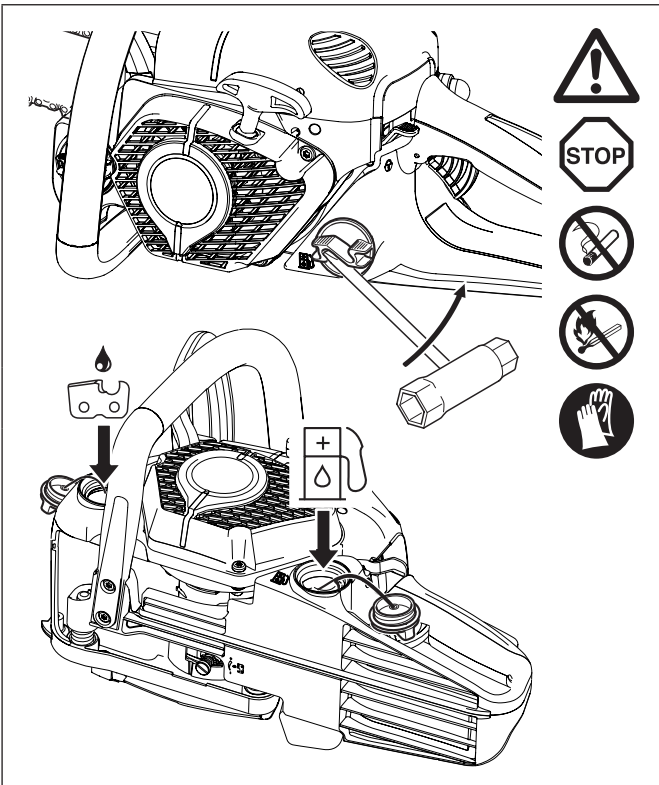
48



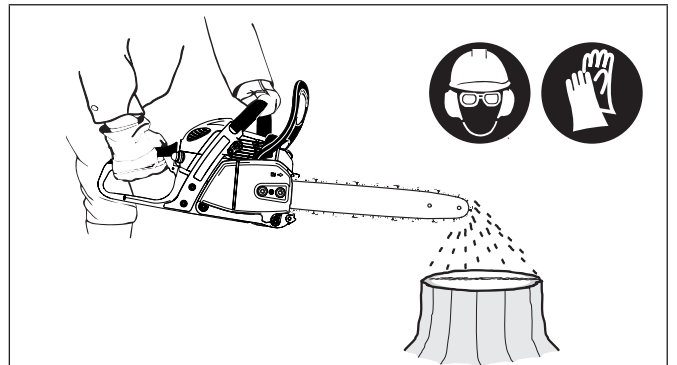
49



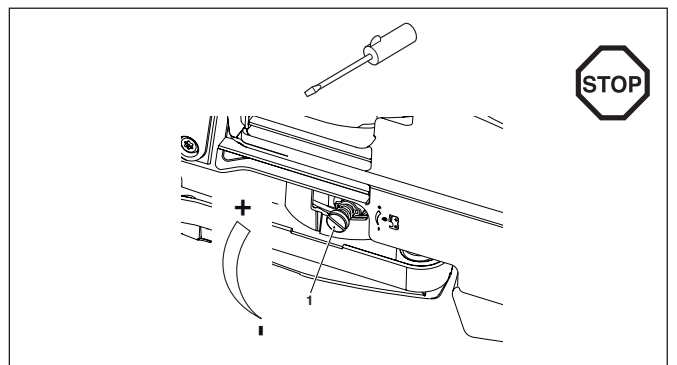
50



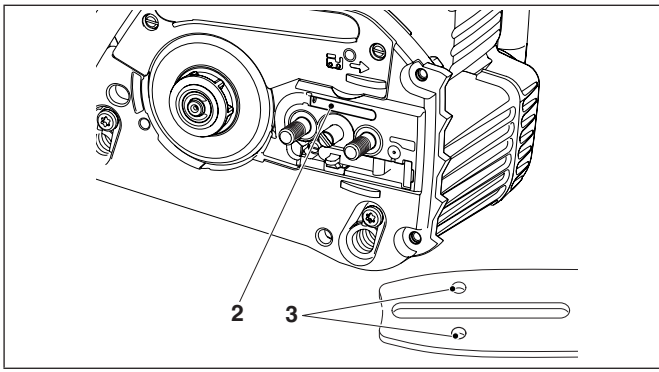
51



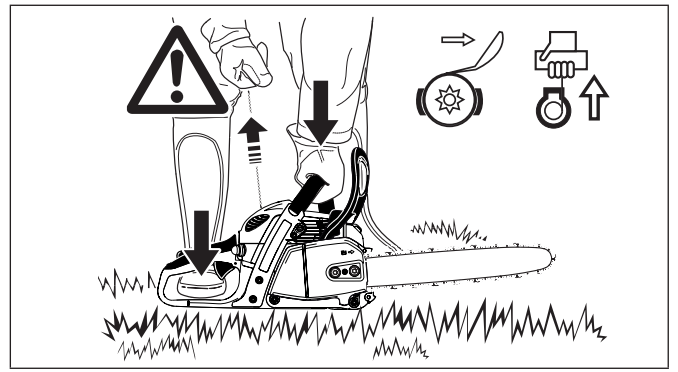
52



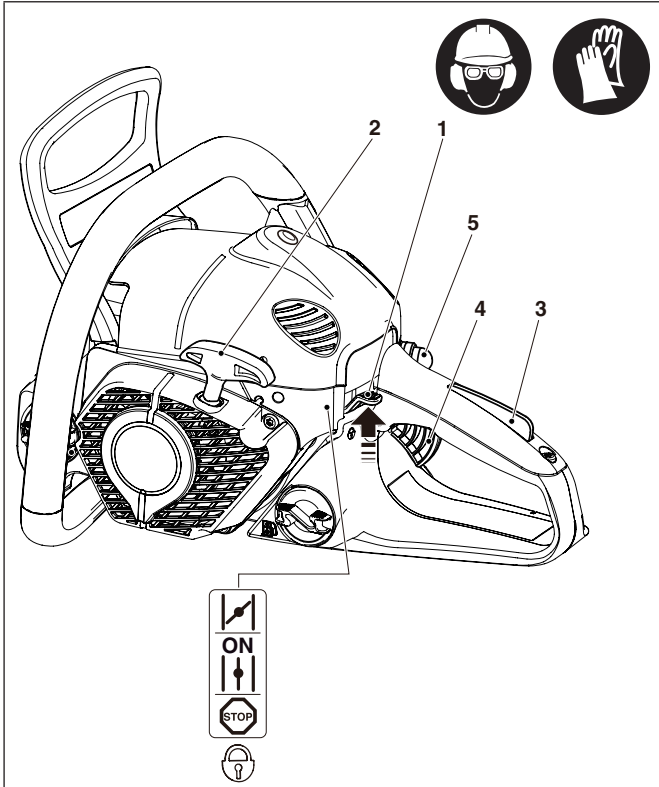
53



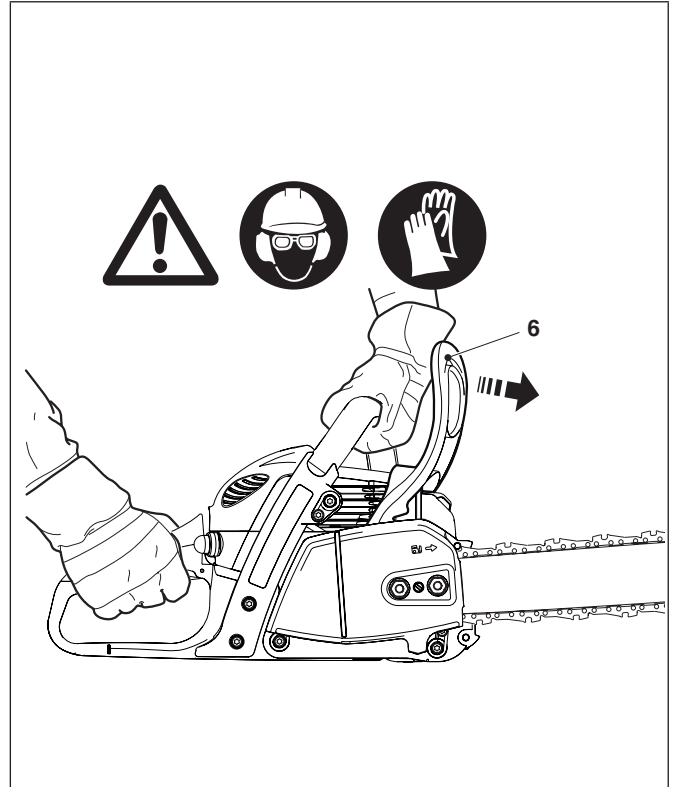
54



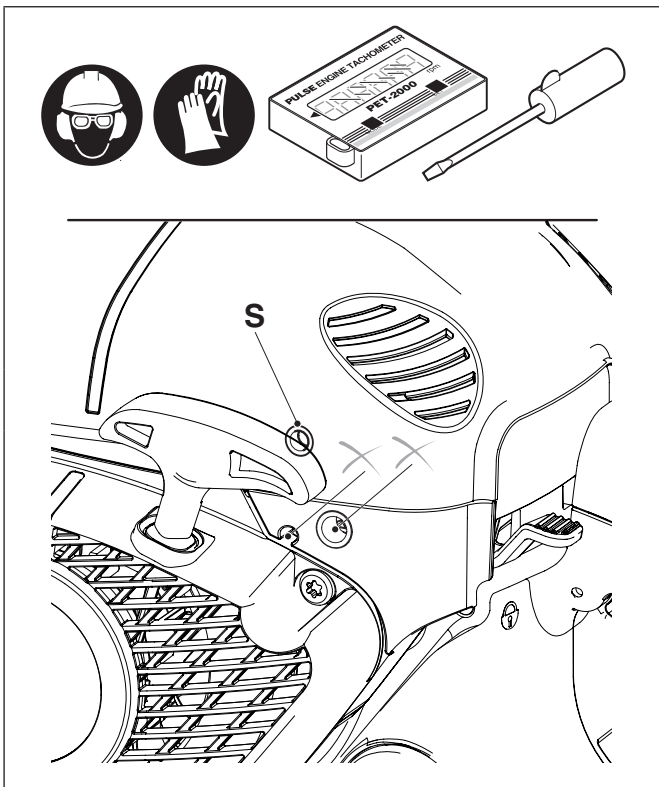
55



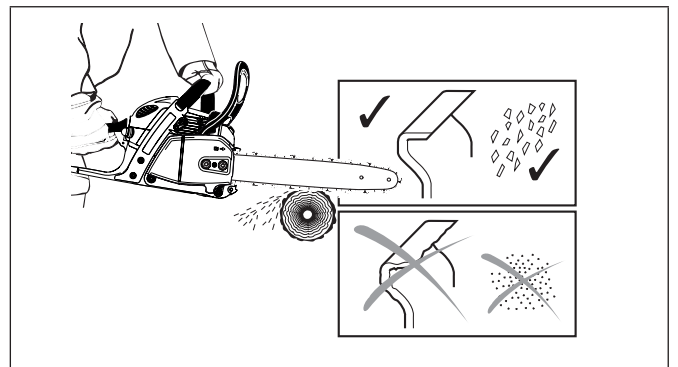
56



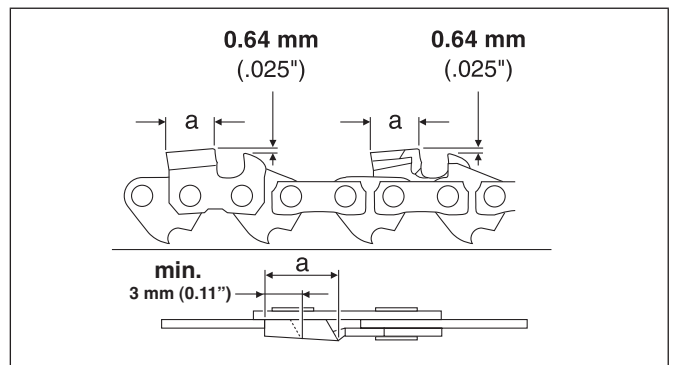
57



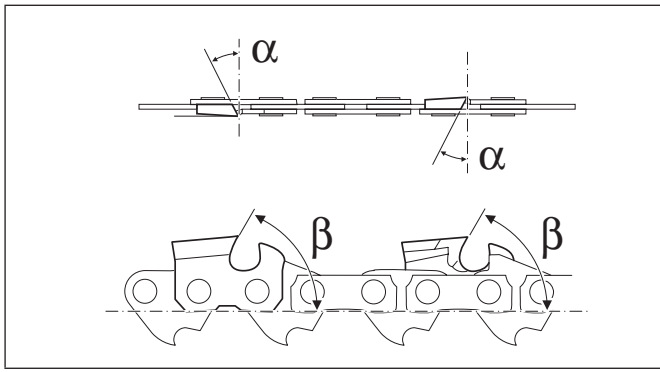
58



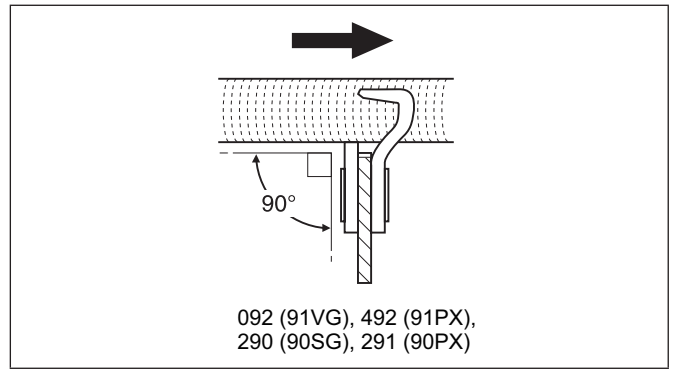
59



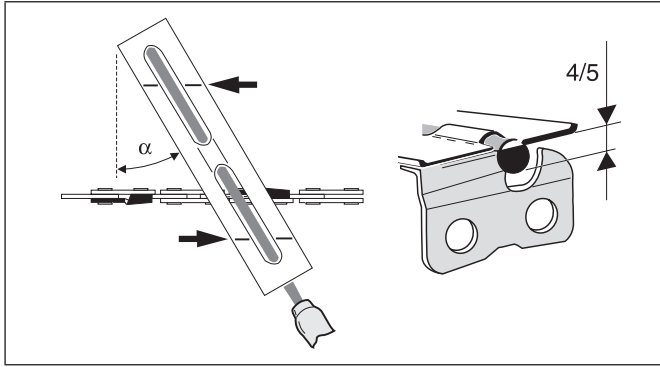
60



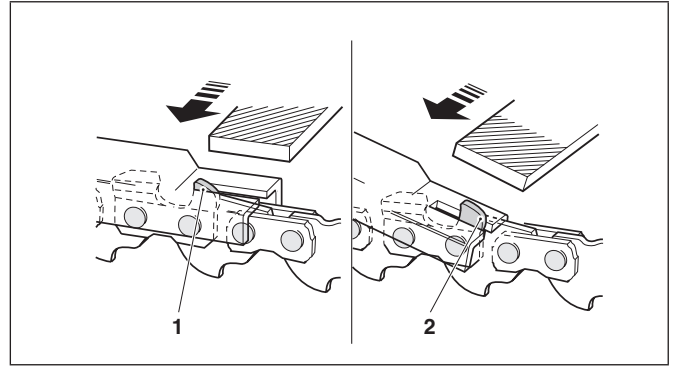
61



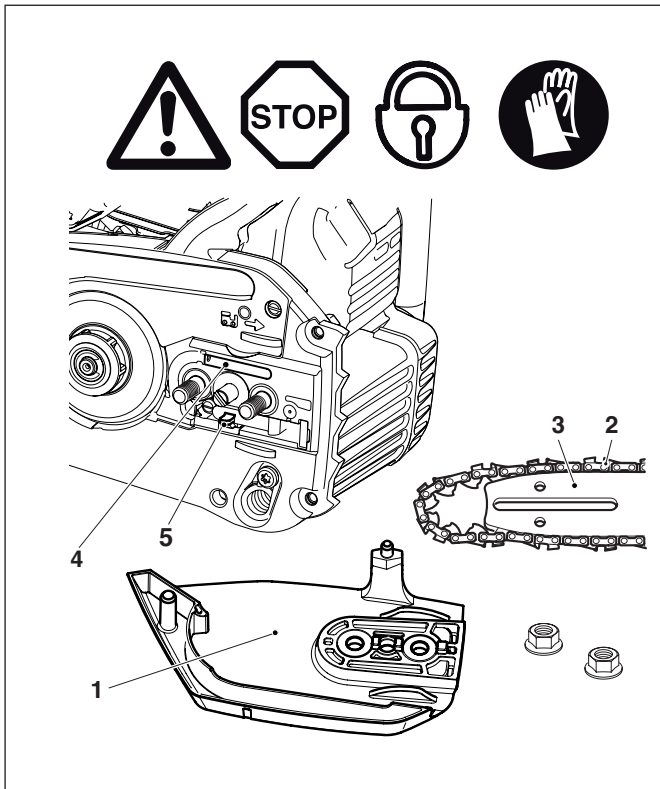
62



63



64

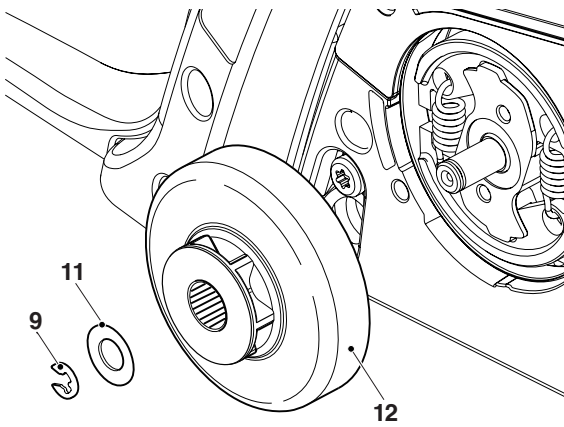
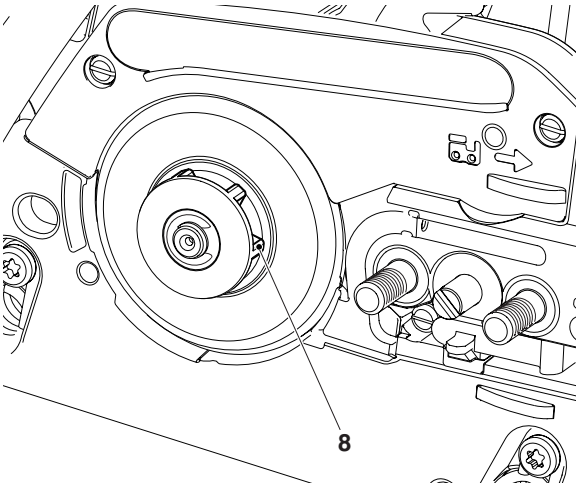


65

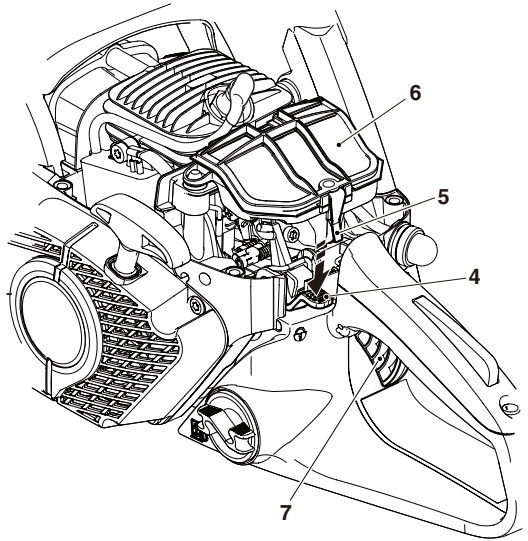
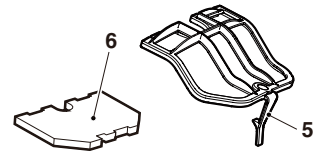
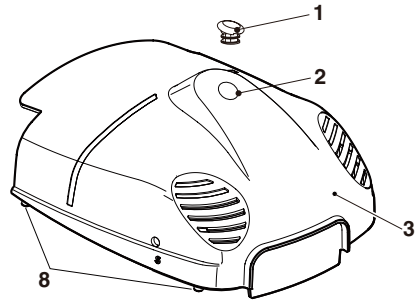
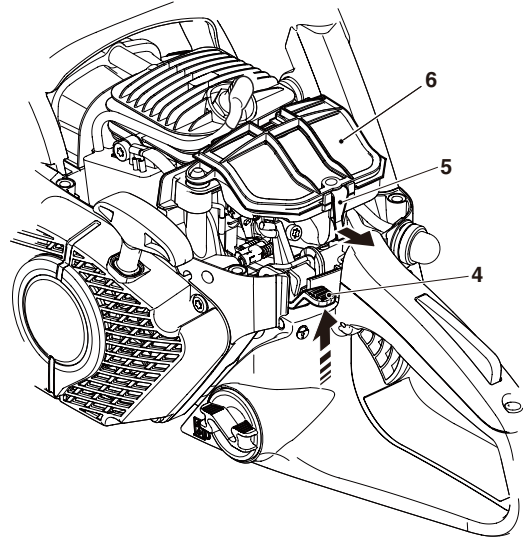


66

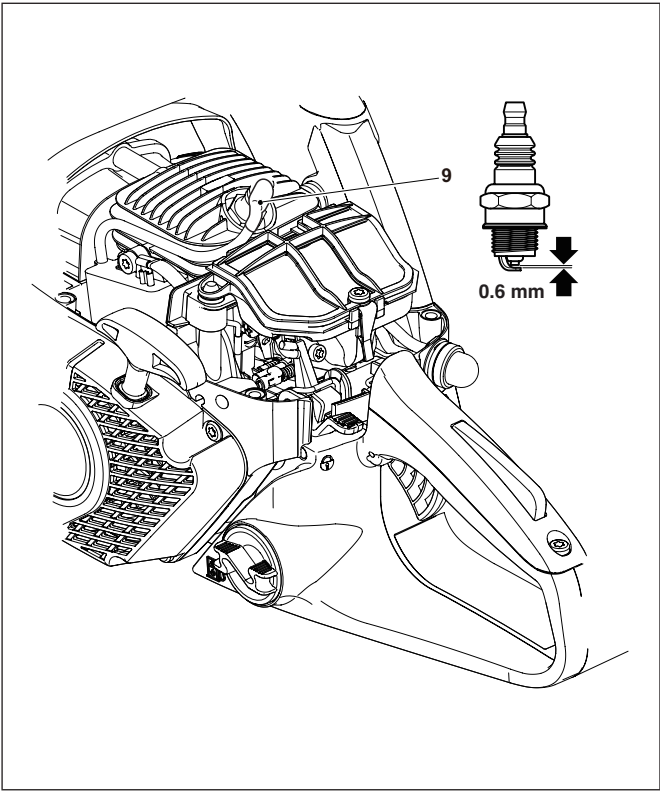




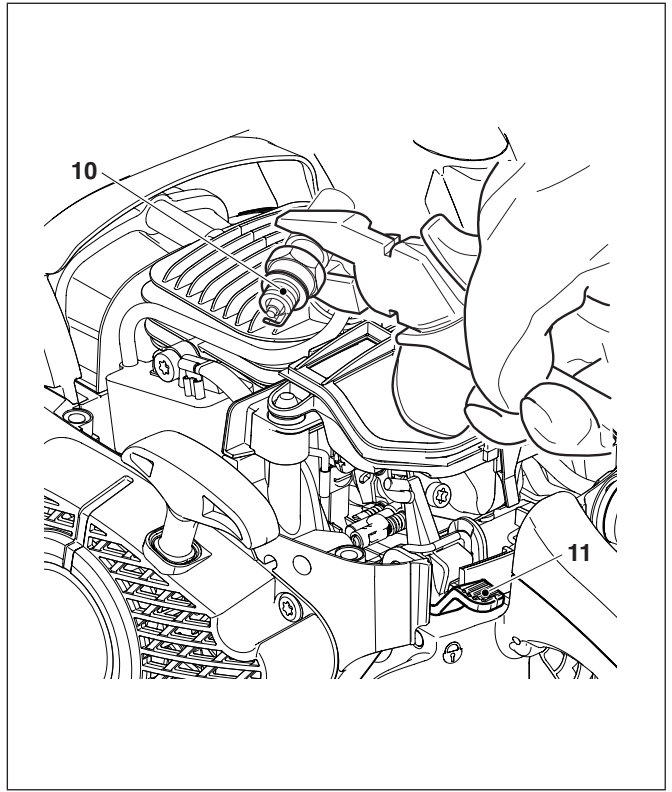
67



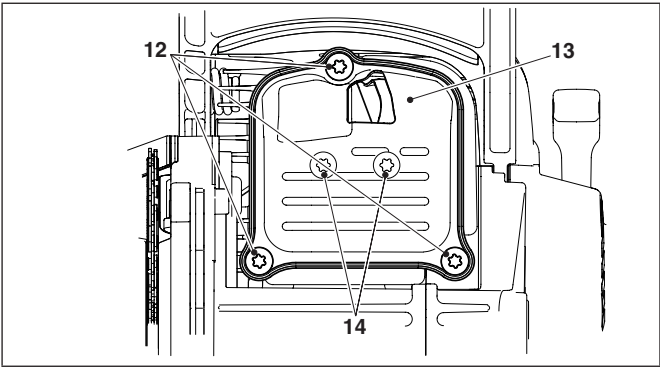
68



69

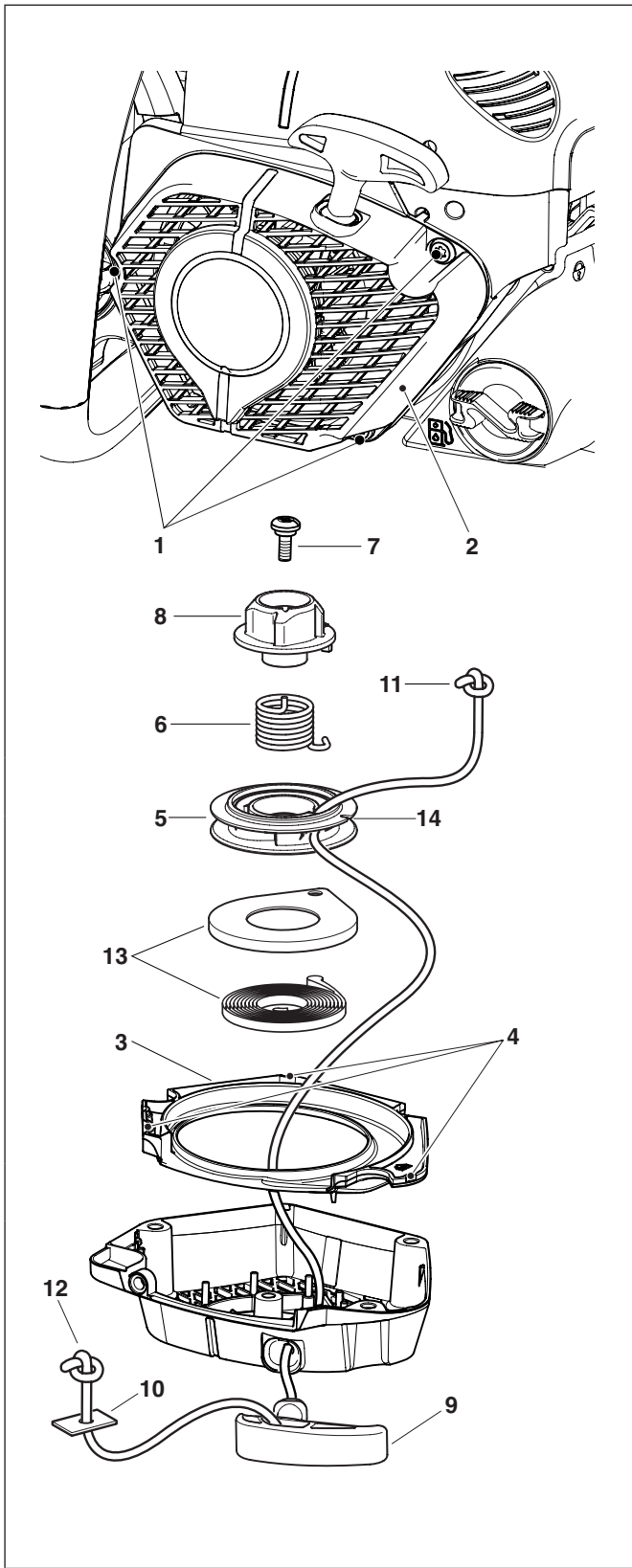


70

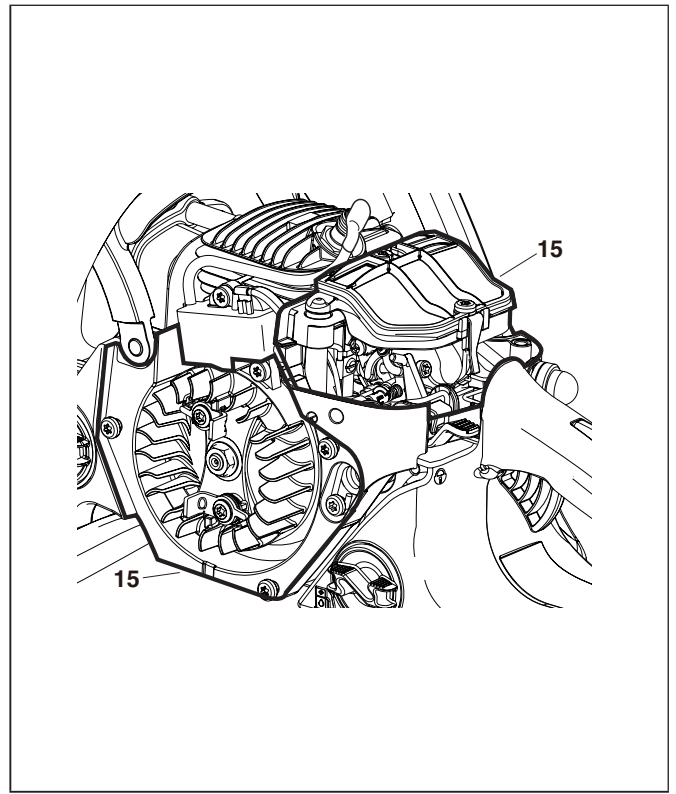


71

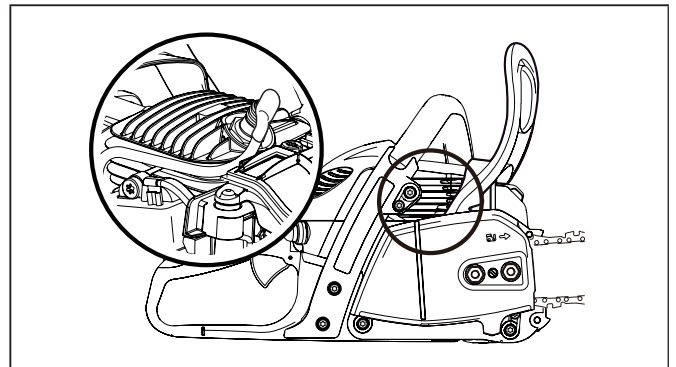




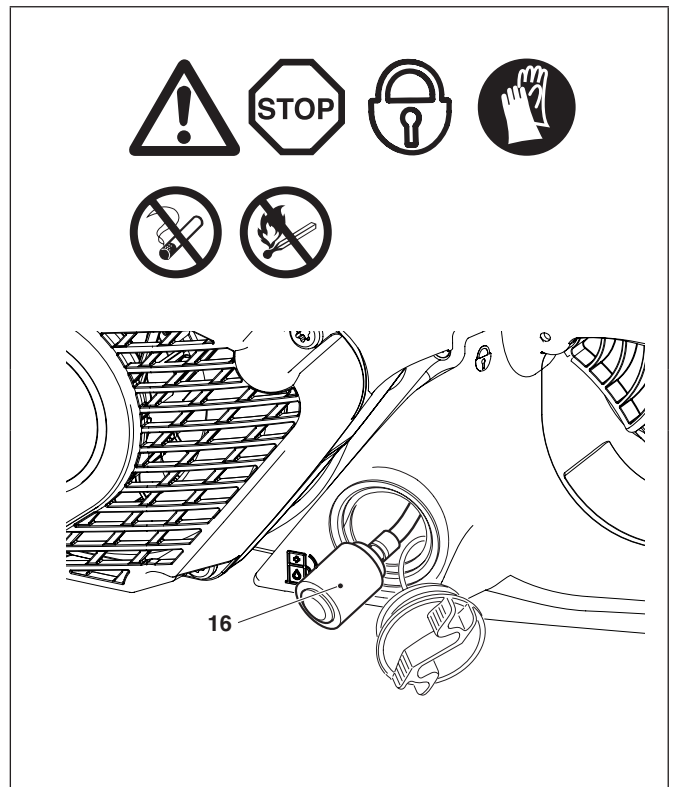
72



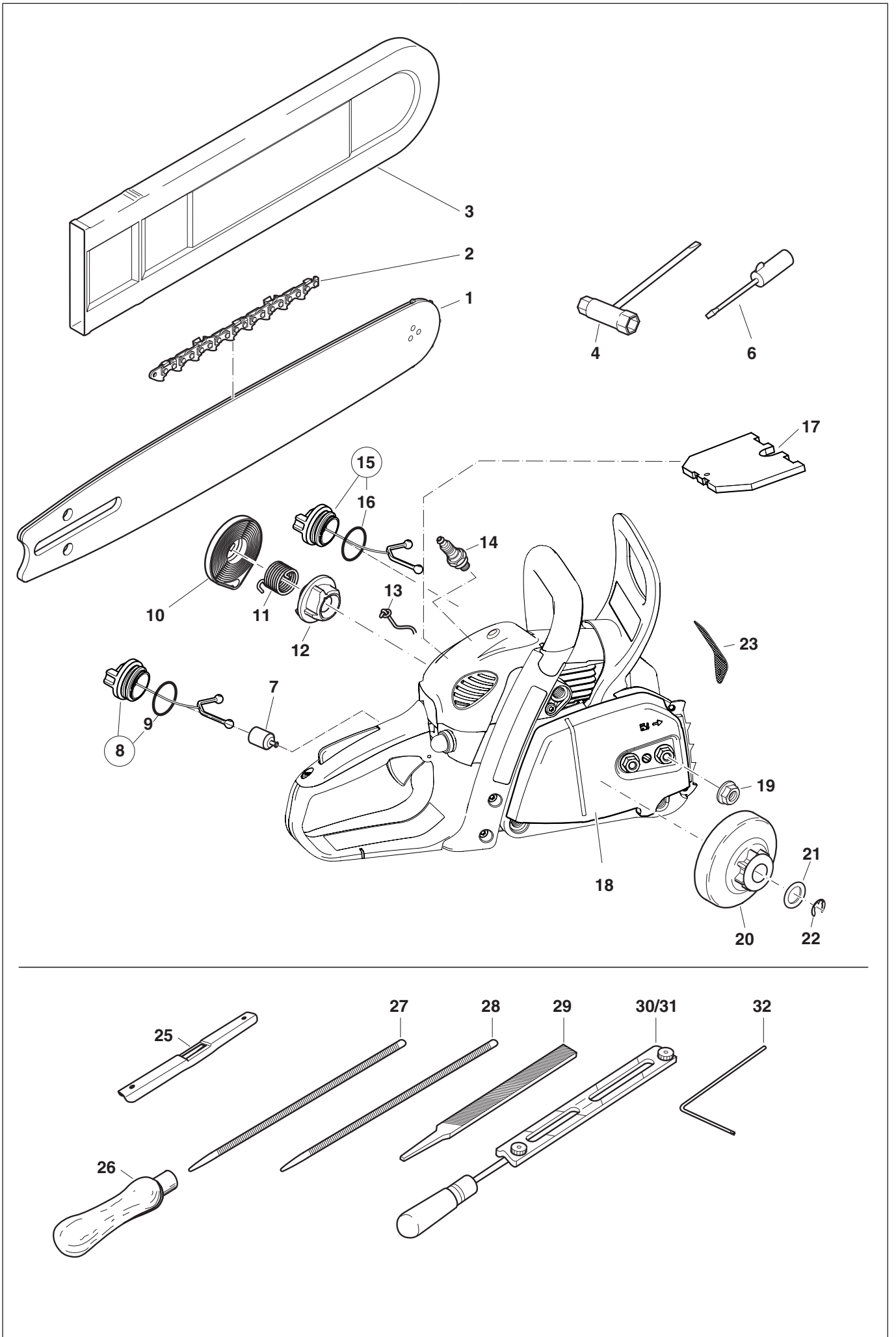
73



74



75



## ENGLISH (Original instructions)

### Thank you for purchasing a MAKITA product!

Congratulations on choosing a MAKITA chain saw! We are confident that you will be satisfied with this modern piece of equipment. The EA3200S, EA3201S, EA3202S, EA3203S, EA3201SG, EA3203SG are very handy and robust chain saws with a new Design.

The automatic chain lubrication with variable-flow oil pump and maintenance-free electronic ignition ensure trouble-free operation, while the hand-saving anti-vibration system and ergonomic grips and controls make work easier, safer, and less tiring for the user. The Featherlight-Start system lets you start the saw effortlessly with a spring-loaded starting assist. For some countries the saw is also equipped with a catalytic converter. This reduces the amount of pollutants in the exhaust, and meets European Guideline 2002/88/EC.

MAKITA chain saws EA3200S, EA3201S, EA3202S, EA3203S, EA3201SG, EA3203SG are equipped with the latest safety features and meet all national and international standards. These features include: hand guards on both handles, grip throttle lever lock, chain catch, safety saw chain, and chain brake. The chain brake can be actuated manually, and is also inertia-actuated automatically in case of kickback.

The following industrial property rights apply:

DE 101 32 973, DE 20 2008 006 013, DE 20 2009 013 953, DE 203 19 902, DE 203 01 182, DE 197 22 629, DE 10 2007 039 028, DE 10 2007 038 199.

**In order to ensure the proper functioning and performance of your new chain saw, and to safeguard your own personal safety, it is imperative that you read this instruction manual thoroughly before operation.**

**Be especially careful to observe all safety precautions! Failure to observe these precautions can lead to severe injury or death!**



### **WARNING**

The ignition system of this equipment produces an electromagnetic field. This field may interfere with some medical devices such as a pacemaker. To reduce the risk of serious or fatal injury, persons with a medical device should consult with their physician and the manufacturer of the device before operating this equipment.

Table of contents	Page
1. Delivery inventory .....	15
2. Symbols.....	15
3. SAFETY PRECAUTIONS.....	16
3-1. Intended use.....	16
3-2. General precautions .....	16
3-3. Protective equipment.....	16
3-4. Fuels/Refuelling .....	16
3-5. Putting into operation.....	16
3-6. Kickback .....	17
3-7. Working behavior/Method of working.....	17
3-8. Transport and storage.....	18
3-9. Maintenance .....	18
3-10. First aid .....	18
4. Technical data .....	19
5. Denomination of components.....	20
6. PUTTING INTO OPERATION .....	20
6a. Only for models with fastening nuts on the sprocket guard .....	20
6a-1. Mounting the guide bar and saw chain.....	20
6a-2. Tightening the saw chain .....	20
6a-3. Checking the chain tension .....	20
6a-4. Retightening the saw chain.....	21
6b. Only for the QuickSet guide bar .....	21
6b-1. Mounting the guide bar and saw chain .....	21
6b-2. Tensioning the saw chain .....	21
6b-3. Checking the chain tension.....	21
6b-4. Retensioning the saw chain .....	21
6c. Only for models with quick tensioner on sprocket guard (TLC) .....	22
6c-1. Mounting the guide bar and saw chain.....	22
6c-2. Tightening the saw chain .....	22
6c-3. Checking the chain tension.....	22
6c-4. Retensioning the saw chain .....	22
For all models	
6-5. Chain brake .....	23
6-6. Fuel.....	23
6-7. Chain oil .....	24
6-8. Filling fuel and chain oil .....	24
6-9. Checking the chain lubrication .....	25
6-10. Adjusting the chain lubrication .....	25
6-11. Starting the engine .....	25
6-12. Stopping the engine.....	26
6-13. Checking the chain brake .....	26
6-14. Adjusting the carburetor.....	26
7. MAINTENANCE .....	27
7-1. Sharpening the saw chain.....	27
7-2. Cleaning the inside of the sprocket guard .....	27
7-3. Cleaning the guide bar .....	28
7-4. Replacing the saw chain .....	28
7-5. Cleaning the air filter .....	28
7-6. Replacing the spark plug .....	28
7-7. Checking the ignition spark .....	28
7-8. Checking the muffler screws.....	28
7-9. Replacing the starter cable/ Replacing the return spring pack/ Replacing the starter spring.....	29
7-10. Mounting the fan housing.....	29
7-11. Cleaning the air filter compartment / fan compartment .....	29
7-12. Cleaning the cylinder fins.....	29
7-13. Replacing the suction head.....	29
7-14. Instructions for periodic maintenance .....	30
8. Service, spare parts and guarantee .....	31
9. Trouble shooting.....	32
10. Extract from the spare parts list .....	33

## 1. Delivery inventory (Fig. 1)

1. Chain saw
2. Guide bar
3. Saw chain
4. Chain protection cover
5. Universal wrench
6. Screwdriver for carburetor adjustment
7. Instruction manual (not shown)

In case one of the parts listed should not be included in the delivery inventory, please consult your sales agent.

## 2. Symbols

You will notice the following symbols on the saw and in the Instruction Manual:

	<b>Read instruction manual and follow the warning and safety precautions!</b>		<b>Chain brake</b>
	<b>Particular care and caution!</b>		<b>Hold the saw with both hands while working! One-handed use is extremely hazardous!</b>
	<b>Forbidden!</b>		<b>Fuel and oil mixture</b>
	<b>Wear protective helmet, eye and ear protection!</b>		<b>Carburetor adjustment</b>
	<b>Wear protective gloves!</b>		<b>Chain oil fill/oil pump</b>
	<b>No smoking!</b>		<b>Saw chain oil adjustment screw</b>
	<b>No open fire!</b>		<b>Primer pump</b>
	<b>Stop engine!</b>		<b>First aid</b>
	<b>Start engine</b>		<b>Recycling</b>
	<b>Combination switch, Choke ON/STOP</b>		
	<b>Safety position</b>		
	<b>Caution, kickback!</b>		

## 3. SAFETY PRECAUTIONS

### 3-1. Intended use

#### Power chain saws

This power chain saw may be used only for sawing wood out of doors. It is intended for the following uses depending on its class:

- **Professional and mid-class:** Use on small, medium and large trees: felling, limb removal, cutting to length, thinning.
- **Hobby class:** Occasional use on small trees, fruit-tree care, felling, limb removal, cutting to length.

#### Unauthorized users:

Persons who are not familiar with the Instruction Manual, children, young people, and persons under the influence of drugs, alcohol or medication must not use this saw.

National regulations may restrict the use of the unit!

### 3-2. General precautions

- **To ensure correct operation the user has to read this instruction manual (Fig. 2)** to make himself familiar with the characteristics of the chain saw. Users insufficiently informed will endanger themselves as well as others due to improper handling.
- It is recommended to lend the chain saw only to people who are experienced in working with chain saws. Always hand over the instruction manual.
- First users should ask the dealer for basic instructions to become familiarized with the characteristics of engine powered sawing or even attend a recognized course of instruction.
- Children and young persons aged under 18 years must not be allowed to operate the chain saw. Persons over the age of 16 years may, however, use the chain saw for the purpose of being trained as long as they are under the supervision of a qualified trainer.
- Use chain saws always with the utmost care and attention.
- Operate the chain saw only if you are in good physical condition. If you are tired, your attention will be reduced. Never work in case of illness. Be especially careful at the end of a working day. Perform all work calmly and carefully. The user has to accept liability for others.
- Never use the chain saw after having consumed alcohol, drugs or medication. (Fig. 3)
- A fire extinguisher must be available in the immediate vicinity when working in easily inflammable vegetation or when it has not rained for a long time (danger of fire).

### 3-3. Protective equipment (Fig. 4 & 5)

- **In order to avoid head, eye, hand or foot injuries as well as to protect your hearing the following protective equipment must be used during operation of the chain saw:**
- The kind of clothing should be appropriate, i. e. it should be tight-fitting but not be a hindrance. Do not wear jewellery or clothing which could become entangled with bushes or shrubs. If you have long hair, always wear a hairnet!
- It is necessary to wear a protective helmet whenever working with the chain saw. The **protective helmet (1)** is to be checked in regular intervals for damage and is to be replaced after 5 years at the latest. Use only approved protective helmets.
- The **face shield (2)** of the protective helmet (or the goggles) protects against sawdust and wood chips. During operation of the chain saw always wear a goggle or a face shield to prevent eye injuries.

- Wear adequate **noise protection equipment** (ear muffs (3), ear plugs, etc.). Octave band analysis may be provided upon request.
- The **safety jacket (4)** is provided with special signal-coloured shoulder straps and is comfortable and easy to care for.
- The **protective brace and bib overall (5)** is made of a nylon fabric with multiple layers and protects against cuts. We strongly recommend its use.
- **Protective gloves (6)** made of thick leather are part of the prescribed equipment and must always be worn during operation of the chain saw.
- During operation of the chain saw **safety shoes or safety boots (7)** fitted with anti skid sole, steel toe caps and protection for the leg must always to be worn. Safety shoes equipped with a protective layer provide protection against cuts and ensure a secure footing.
- Sawing dry wood can create dust. Use a suitable dust mask.

### 3-4. Fuels/Refuelling

- Stop the engine before refuelling the chain saw.
- Do not smoke or work near open fires (Fig. 6).
- Let the engine cool down before refuelling.
- Fuels can contain substances similar to solvents. Eyes and skin should not come in contact with mineral oil products. Always wear protective gloves when refuelling. Frequently clean and change protective clothes. Do not breathe in fuel vapors. Inhalation of fuel vapours can be hazardous to your health.
- Do not spill fuel or chain oil. When you have spilt fuel or oil immediately clean the chain saw. Fuel should not come in contact with clothes. If your clothes have come in contact with fuel, change them at once.
- Ensure that no fuel or chain oil oozes into the soil (environmental protection). Use an appropriate base.
- Refuelling is not allowed in closed rooms. Fuel vapors will accumulate near the floor (explosion hazard).
- Ensure to firmly tighten the screw plugs of the fuel and oil tanks.
- Change the place before starting the engine (at least 3 m from the place of refuelling) (Fig. 7).
- Fuel cannot be stored for an unlimited period of time. Buy only as much as will be consumed in the near future.
- Use only approved and marked containers for the transport and storage of fuel and chain oil. Ensure children have no access to fuel or chain oil.

### 3-5. Putting into operation

- **Do not work on your own. Another person must be nearby in case of emergencies** (within shouting distance).
- Ensure that there are no children or other people within the working area. Pay attention to any animals in the working area, as well (Fig. 8).
- **Before starting work the chain saw must be checked for perfect function and operating safety according to the prescriptions.** Check especially the function of the chain brake, the correct mounting of the guide bar, the correct sharpening and tightening of the chain, the firm mounting of the sprocket guard, the easy motion of the throttle lever and the function of the throttle lever lock, the cleanliness and dryness of the handles, and the function of the ON/OFF switch.
- Put the chain saw only into operation if it is completely assembled. Never use the chain saw when it is not completely assembled.
- Before starting the chain saw ensure that you have a safe footing.



- Put the chain saw into operation only as described in this instruction manual (**Fig. 9**). Other starting methods are not allowed.
- When starting the chain saw it must be well supported and securely held. The guide bar and chain must not be in contact with any object.
- **When working with the chain saw always hold it with both hands.** Take the back handle with the right hand and the tubular handle with the left hand. Hold the handles tightly with your thumbs facing your fingers.
- **CAUTION: When releasing the throttle lever the chain will keep on running for a short period of time** (free-wheeling).
- Continuously ensure that you have a safe footing.
- Hold the chain saw such that you will not breathe in the exhaust gas. Do not work in closed rooms (danger of poisoning).
- **Switch off the chain saw immediately if you observe any changes in its operating behavior.**
- **The engine must be switched off before checking the chain tension, tightening the chain, replacing it or clearing malfunctions (Fig. 10).**
- When the sawing device is hit by stones, nails or other hard objects, switch off the engine immediately and check the sawing device. If the chain saw is exposed to force, such as through impact or falling, inspect the entire chain saw for proper functioning.
- When stopping work or leaving the working place, switch off the chain saw (**Fig. 10**) and put it down such that nobody is endangered.
  - Maintenance
  - Refuelling
  - Sharpening the chain
  - Stopping work
  - Transport
  - Putting out of function



**CAUTION: Do not put the overheated power chain saw in dry grass or on any inflammable objects. The muffler is very hot (danger of fire).**

- **CAUTION:** Oil dropping from the chain or guide bar after having stopped the saw chain will pollute the soil. Always use an appropriate base.

### 3-6. Kickback

- When working with the chain saw dangerous kickbacks may occur.
  - Kickback occurs when the upper part of the end of the guide bar inadvertently touches wood or other hard objects (**Fig. 11**).
  - This causes the saw to be thrown back toward the user with great force and out of control. **Risk of injury!**
- In order to prevent kickback, follow these rules:**
- Only specially-trained persons should perform plunge cuts, i.e., piercing timber or wood with the tip of the saw!
  - Never apply the end of the bar when starting to make a cut.
  - Always observe the end of the guide bar. Be careful when continuing an already started cut.
  - When starting to cut the chain must be running.
  - Ensure that the chain is always sharpened correctly. Pay special attention to the height of the depth limiter.
  - Never cut several branches at the same time. When cutting a branch ensure that no other branch is touched.
  - When crosscutting a trunk be aware of the trunks next to it.

### 3-7. Working behavior/Method of working

- Only use the chain saw during good light and visibility periods. Be aware of slippery or wet areas, and of ice and snow (risk of slipping). The risk of slipping is extremely high when working on recently peeled wood (bark).
- Never work on unstable surfaces. Make sure that there are no obstacles in the working area, risk of stumbling. Always ensure that you have a safe footing.

- Never saw above your shoulder height (**Fig. 12**).
  - Never saw while standing on a ladder (**Fig. 12**).
  - Never climb up into trees to perform sawing with the chain saw.
  - Do not work leaning too far over.
  - Guide the chain saw in such a way that no part of your body is within the elongated swivelling range of the saw (**Fig. 13**).
  - Use the chain saw for sawing wood only.
  - Avoid touching the ground with the chain saw while it is still running.
  - Never use the chain saw for lifting up or removing pieces of wood or other objects.
  - Remove foreign objects such as sand, stones and nails found within the working area. Foreign objects may damage the sawing device and can cause dangerous kickback.
  - When sawing pre-cut timber use a safe support (sawing jack, **Fig. 14**). Do not steady the workpiece with your foot, and do not allow anyone else to hold or steady it.
  - Secure round pieces against rotation.
  - **For cutting down trees or performing crosscuts the spike bar (Fig. 14, Z) must be applied to the wood to be cut.**
  - Before performing a **crosscut** firmly apply the spike bar to the timber, only then can the timber be cut with the chain running. For this the chain saw is lifted at the back handle and guided with the tubular handle. The spike bar serves as a centre of rotation. Continue by slightly pressing down the tubular handle and simultaneously pulling back the chain saw. Apply the spike bar a little bit deeper and once again lift the back handle.
  - **When the timber must be pierced for cutting or longitudinal cuts are to be performed it is urgently recommended to have this carried out by specially trained persons only** (high risk of kickback).
  - When starting a cut, the blade can slip to the side or jump slightly. This depends on the wood and the condition of the chain. **Therefore, always hold the chain saw with both hands.**
  - Do **longitudinal - lengthwise - cuts** at the lowest possible angle (**Fig. 15**). Be very careful when doing this type of cut, as the spike bar cannot grip.
  - The saw must be running whenever you remove the chain saw from the wood.
  - When performing several cuts the throttle lever must be released in between.
  - Be careful when cutting splintery wood. Cut pieces of wood may be pulled along (risk of injuries).
  - When cutting with the upper edge of the guide bar, the chain saw may be pushed in the direction of the user if the chain gets clamped. For this reason use the lower edge of the bar whenever possible. The chain saw will then be pushed away from you (**Fig. 16**).
  - If the timber is under tension (**Fig. 17**), first cut the pressure side (A). Then the crosscut can be performed on the tension side (B). Thus clamping of the guide bar can be avoided.
  - At the end of the cut the weight of the chain saw will cause it to swing through, since it is no longer held by the cut. Hold it firmly to control this.
- CAUTION:**
- People felling trees or cutting of branches must be specially trained. High risk of injuries!**
- When cutting of branches, the chain saw should be supported on the trunk. Do not use the end of the bar for cutting (risk of kickback).
  - Be aware of branches under tension. Do not cut free branches from below.
  - Never perform detensioning cuts while standing on the trunk.

- **Before cutting down a tree ensure that**
  - a) only those people are within the working area which are actually involved in cutting down the tree.
  - b) every worker involved can withdraw without stumbling (the people should withdraw backwards in a diagonal line, i. e. at a degree of 45°).
  - c) the bottom part of the trunk is free from foreign objects, underbrush and branches. Make sure to have a safe footing (risk of stumbling).
  - d) the next working place is at least 2 1/2 tree lengths away (**Fig. 18**). Before cutting down the tree check the direction of fall and make sure that there are neither people nor objects within a distance of 2 1/2 tree lengths.

(1) = cutting down area

- **Judging the tree:**

Direction of hanging - loose or dry branches - height of the tree - natural overhang - is the tree rotten?

- Take into account the direction and speed of the wind. If strong gusts are occurring, do not do any felling.

- **Cutting the roots:**

Start with the strongest root. First do the vertical and then the horizontal cut.

- **Notching the trunk (Fig. 19, A):**

The notch determines the direction of fall and guides the tree. The trunk is notched perpendicular to the direction of fall and penetrates 1/3 - 1/5 of the trunk diameter. Perform the cut near the ground.

- When correcting the cut, always do so over the whole width of the notch.
- **Cut down** the tree (**Fig. 20, B**) above the bottom edge of the notch (D). The cut must be exactly horizontal. The distance between both cuts must be approx. 1/10 of the trunk diameter.
- The **material between both cuts** (C) serves as a hinge. Never cut it through, otherwise the tree will fall without any control. Insert felling wedges in time.
- Secure the cut only with wedges made of plastic or aluminium. Do not use iron wedges. If the saw hits an iron wedge the chain can be seriously damaged or torn.
- When cutting down a tree always stay sideways of the falling tree.
- When withdrawing after having performed the cut, be alert for falling branches.
- When working on sloping ground the user of the chain saw must stay above or sideways of the trunk to be cut or the tree already cut down.
- Be alert for trunks which may roll towards you.

### 3-8. Transport and storage



- **When changing your location during work switch off the chain saw and actuate the chain brake in order to prevent an inadvertent start of the chain.**
- **Never carry or transport the chain saw with the chain running.**
- **When the saw is hot, do not cover it (with a tarp, blanket, newspaper or the like). Let the saw cool down before putting it in a storage case or vehicle. Saws with catalytic converter take longer to cool down!**
- When transporting the chain saw over long distances the chain protection cover (delivered with the chain saw) must be applied.
- Carry the chain saw with the tubular handle. The guide bar points backwards (**Fig. 21**). Avoid coming in contact with the muffler (danger of burns).
- Ensure safe positioning of the chain saw during car transportation to avoid fuel or chain oil leakage.
- Store the chain saw safely in a dry place. It must not be

stored outdoors. Keep the chain saw away from children. The chain protection cover should always be put on.

- Before storing the chain saw over a long period of time or shipping it the fuel and oil tanks must be completely emptied.

### 3-9. Maintenance

- **Before performing maintenance work switch off the chain saw (Fig. 22) and pull out the plug cap.**
- Before starting work always check the operating safety of the chain saw, in particular the function of the chain brake. Make sure that the chain is always sharpened and tightened correctly (**Fig. 23**).
- Operate the chain saw only at a low noise and emission level. For this ensure the carburetor is adjusted correctly.
- Regularly clean the chain saw.
- Regularly check the tank cap for tightness.

**Observe the accident prevention instructions issued by trade associations and insurance companies. Do not perform any modifications on the chain saw. You will put your safety at risk.**

Perform only the maintenance and repair works described in the instruction manual. All other work must be carried out by MAKITA Service.



Use only original MAKITA spare parts and accessories. Using spare parts other than original MAKITA parts or accessories and guide bar/chain combinations or lengths which are not approved bring a high risk of accidents. We cannot accept any responsibility for accidents and damage resulting from using sawing devices or accessories which have not been approved.



### 3-10. First aid

For the event of a possible accident, please make sure that a first aid kit is always immediately available close by. Immediately replace any items used from the first aid box.

**When calling for help, give the following information:**

- Place of the accident
- What happened
- Number of injured people
- Kind of injuries
- Your name!

#### NOTE:

Individuals with poor circulation who are exposed to excessive vibration may experience injury to blood vessels or the nervous system.

Vibration may cause the following symptoms to occur in the fingers, hands or wrists: "Falling asleep" (numbness), tingling, pain, stabbing sensation, alteration of skin colour or of the skin.

**If any of these symptoms occur, see a physician!**

**To reduce the risk of vibration white finger, keep your hands warm, wear gloves, and make sure the saw chain is sharp.**



## 4. Technical data

		EA3200S	EA3201S EA3201SG	EA3202S	EA3203S EA3203SG
Stroke volume	cm <sup>3</sup>	32			
Bore	mm	38			
Stroke	mm	28.2			
Max. power at speed	kW / 1/min	1.35 / 10,000			
Max. torque at speed	Nm / 1/min	1.6 / 7,000			
Idling speed / max. engine speed with bar and chain	1/min	2,800 / 12,800			
Clutch engagement speed	1/min	4,100			
Sound pressure level at the workplace $L_{pA, eq}$ per ISO 22868 <sup>1) 3)</sup>	dB (A)	102.6 / $K_{pA} = 2.5$			
Sound power level $L_{WA, FI+Ra}$ per ISO 22868 <sup>1) 2) 3)</sup>	dB (A)	111.5 / $K_{WA} = 2.5$			
Vibration acceleration $a_{hv, eq}$ per ISO 22867 <sup>1) 3)</sup>					
- Tubular handle	m/s <sup>2</sup>	4.8 / $K = 2.0$			
- Rear handle	m/s <sup>2</sup>	4.8 / $K = 2.0$			
Carburetor	Type	Membranecarburetor			
Ignition system	Type	electronic			
Spark plug	Type	NGK CMR6A			
or spark plug	Type	--			
Electrode gap	mm	0.6			
Fuel consumption at max. load per ISO 7293	kg/h	0.68			
Specific consumption at max. load per ISO 7293	g/kWh	500			
Fuel tank capacity	cm <sup>3</sup>	400			
Chain oil tank capacity	cm <sup>3</sup>	280			
Mixture ratio (fuel/two-stroke oil)					
- when using MAKITA oil		50 : 1			
- when using other oils		25 : 1 (quality grade: JASO FC or ISO EGD)			
Chain brake		engages manually or in case of kickback			
Chain speed (at racing speed)	m/s	24.4			
Sprocket pitch	pouces	3/8			
Number of teeth	Z	6			
Weight (fuel tank empty, without chain, guide bar and accessories)	kg	4.1	4.2	4.0	4.1

<sup>1)</sup> Figures derived in equal part from idling, full-load and racing speed.

<sup>2)</sup> Figures derived in equal part from full-load and racing speed.

<sup>3)</sup> Uncertainty (K=).

Model EA3201SG and EA3203SG accept Brazilian gasoline (E25).

### Saw chain and guide bar

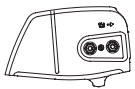
Saw chain type		092 (91VG), 492 (91PX)			290 (90SG), 291 (90PX)	
Pitch	inch	3/8"				
Gauge	mm (inch)	1.3 (0.050")			1.1 (0.043")	
Guide bar type		Sprocket nose bar				
Guide bar, length of a cut	mm (inch)	300 (12")	350 (14")	400 (16")	300 (12")	350 (14")
No. of drive links		46	52	56	46	52

**⚠ WARNING:** Use appropriate combination of the guide bar and saw chain. Otherwise personal injury may result.

## 5. Denomination of components (Fig. 24)

- |   |   |
|---|---|
| 1 Handle                                      | 14 Identification plate                   |
| 2 Cover                                       | 15 Starter grip                           |
| 3 Hood lock (under the hood cap)              | 16 Combination switch (Choke / ON / Stop) |
| 4 Tubular handle                              | 17 Throttle lever                         |
| 5 Hand guard (release for chain brake)        | 18 Safety locking button                  |
| 6 Muffler                                     | 19 Rear hand guard                        |
| 7 Spike bar                                   | 20 Fuel tank cap                          |
| 8 Chain tensioning screw                      | 21 Adjusting screws for carburetor        |
| 9 Retaining nuts                              | 22 Fan housing with starting assembly     |
| 10 Chain catcher                              | 23 Oil tank cap                           |
| 11 Sprocket guard                             | 24 Chain (Blade)                          |
| 12 Adjusting screw for oil pump (bottom side) | 25 Guide bar                              |
| 13 Fuel pump (Primer)                         | 26 Sprocket guard quick tensioner (TLC)   |

## 6. PUTTING INTO OPERATION



### 6a. Only for models with fastening nuts on the sprocket guard



**CAUTION:**  
Before doing any work on the guide bar or chain, always switch off the engine and pull the plug cap off the spark plug (see 7-6 “Replacing the spark plug”). Always wear protective gloves!



**CAUTION:**  
Start the chain saw only after having assembled it completely and inspected.

### 6a-1. Mounting the guide bar and saw chain



#### (Fig. 25)

Use the universal wrench delivered with the chain saw for the following work.

Put the chain saw on a stable surface and carry out the following steps for mounting the guide bar and saw chain:

Release the chain brake by pulling the hand guard (1) in direction of arrow.

Unscrew retaining nuts (2).

Pull off the sprocket guard (3).

#### (Fig. 26)

Turn chain tensioning screw (4) to the left (counter-clockwise) until the pin (5) of the chain tensioner is underneath the threaded pin (6).

#### (Fig. 27)

Put on the guide bar (7). Make sure that the pin (5) of the chain tensioner engages in the hole in the guide bar.

#### (Fig. 28)

Lift the chain (9) over the sprocket (8).

Guide the chain from above about halfway into the groove (10) on the guide bar.

#### CAUTION:

Note that the cutting edges along the top of the chain must point in the direction of the arrow!

#### (Fig. 29)

Pull the chain (9) around the sprocket nose (11) of the guide bar in the direction of the arrow.

#### (Fig. 30)

Replace the sprocket guard (3).



#### IMPORTANT:

Lift the saw chain over the chain catcher (12).

Tighten the nuts (2) only hand-tight to begin with.

### 6a-2. Tightening the saw chain

#### (Fig. 31)

Turn the chain tensioning screw (4) to the right (clockwise) until the saw chain catches in the groove on the lower side of the guide bar (see circle).

Slightly lift the end of the guide bar and turn the chain adjusting screw (4) to the right (clockwise) until the chain rests against the bottom side of the guide bar.

While still holding up the tip of the guide bar, tighten the retaining nuts (2) with the universal wrench.

### 6a-3. Checking the chain tension



#### (Fig. 32)

The tension of the chain is correct if the chain rests against the bottom side of the guide bar and can still be easily turned by hand.

While doing so the chain brake must be released.

Check the chain tension frequently - new chains tend to get longer during use!

When checking the chain tension the engine must be switched off.

#### NOTE:

It is recommended to use 2-3 chains alternatively.

In order to guarantee uniform wear of the guide bar the bar should be turned over whenever replacing the chain.

## 6a-4. Retightening the saw chain

### (Fig. 33)

**Loosen the nuts (2) about one turn with the universal wrench.**

Raise the tip of the guide bar a little and turn the chain tensioning screw (4) to the right (clockwise) until the saw chain is again up against the bottom edge of the guide bar (see circle).

While keeping the tip of the guide bar raised, tighten the nuts (2) again with the universal wrench.

## 6b. Only for the QuickSet guide bar



**CAUTION:**  
Before doing any work on the guide bar or chain, always switch off the engine and pull the plug cap off the spark plug (see 7-6 "Replacing the spark plug"). Always wear protective gloves!

**CAUTION:**  
Start the chain saw only after having assembled it completely and inspected.

On QuickSet guide bars the chain is tensioned using a toothed rack in the bar. This simplifies retensioning of the chain. These models do not have a conventional chain tensioner. QuickSet guide bars are identified by this symbol:



### 6b-1. Mounting the guide bar and saw chain



#### (Fig. 34)

Use the universal wrench delivered with the chain saw for the following work.

Put the chain saw on a stable surface and carry out the following steps for mounting the guide bar and saw chain:  
Release the chain brake by pulling the hand guard (1) in direction of arrow.

Unscrew retaining nuts (2).

Pull off the sprocket guard (3).

#### (Fig. 35)

Put the guide bar (4) on and push it against the sprocket (5).

#### (Fig. 36)

Lift the chain (6) over the sprocket (5).

Guide the chain from above about halfway into the groove (7) on the guide bar.

#### CAUTION:

Note that the cutting edges along the top of the chain must point in the direction of the arrow!

#### (Fig. 37)

Pull the chain (6) around the sprocket nose (8) of the guide bar in the direction of the arrow.

#### (Fig. 38)

Replace the sprocket guard (3).



#### IMPORTANT:

Lift the saw chain over the chain catcher (9).

Tighten the nuts (2) only hand-tight to begin with.

### 6b-2. Tensioning the saw chain

#### (Fig. 39)

Turn the QuickSet chain tensioner (10) to the right (clockwise) using the combination tool, until the saw chain guide elements engage in the guide groove on the bottom of the guide bar (if necessary, pull the chain into position slightly).

Raise the tip of the guide bar slightly and turn the chain tensioner (10) further until the saw chain is flush against the bottom of the guide bar (see circle).

While still holding up the tip of the guide bar, tighten the retaining nuts (2) with the universal wrench.

**NOTE:** If the guide bar has been turned over, turn the chain tensioner to left (i.e. counter-clockwise) to tighten the chain.

### 6b-3. Checking the chain tension



#### (Fig. 40)

The tension of the chain is correct if the chain rests against the bottom side of the guide bar and can still be easily turned by hand.

While doing so the chain brake must be released.

Check the chain tension frequently - new chains tend to get longer during use!

When checking the chain tension the engine must be switched off.

**NOTE:** It is recommended to use 2-3 chains alternatively.

In order to guarantee uniform wear of the guide bar the bar should be turned over whenever replacing the chain.

### 6b-4. Retensioning the saw chain

#### (Fig. 39)

**Use the combination tool to loosen the fastening nuts (2) about one turn.** Raise the tip of the guide bar slightly and turn the QuickSet chain tensioner (10) to the right (clockwise) until the saw chain is again flush against the bottom of the guide bar (see circle).

While still holding up the tip of the guide bar, tighten the retaining nuts (2) with the universal wrench.



## 6c. Only for models with quick tensioner on sprocket guard (TLC)



**CAUTION:**  
Before doing any work on the guide bar or chain, always switch off the engine and pull the plug cap off the spark plug (see 7-6 “Replacing the spark plug”). Always wear protective gloves!



**CAUTION:**  
Start the chain saw only after having assembled it completely and inspected.

### 6c-1. Mounting the guide bar and saw chain



#### (Fig. 41)

Place the saw on a stable surface and perform the following work steps in order to install the guide bar and saw chain:  
Release the chain brake by pulling the hand guard (1) in direction of arrow.

Fold up the sprocket guard quick tensioner (2) (see also the illustration on tensioning the saw chain).

Push the sprocket guard quick tensioner in forcefully against the spring tension and slowly turn **counter-clockwise**, until you feel it engage. Keep pushing, and turn as far as possible counter-clockwise.

Release the sprocket guard quick tensioner again and turn **clockwise** to bring it back to its original position. Repeat this procedure until the sprocket guard (4) is unscrewed.  
Remove the sprocket guard (4).

#### (Fig. 42)

Put the guide bar (5) on and push it against the sprocket (6).

#### (Fig. 43)

Lift the chain (8) over the sprocket (7).

Guide the chain from above about halfway into the groove (9) on the guide bar.

#### **CAUTION:**

Note that the cutting edges along the top of the chain must point in the direction of the arrow!

#### (Fig. 44)

Pull the chain (8) around the sprocket nose (10) of the guide bar in the direction of the arrow.

#### (Fig. 45)

Align hole on sprocket guard (4) with the pin (11).

Turn the chain tensioner (3, see 6c-2 “Tightening the saw chain”) to bring the chain tensioner pin (12) into alignment with the hole in the guide bar.

Push the sprocket guard (4) onto the pin (11).

### 6c-2. Tightening the saw chain

#### (Fig. 46)

Simultaneously push in hard on the sprocket guard quick tensioner (2) and turn it clockwise to screw the sprocket guard on, but do not yet tighten it.

Raise the tip of the guide bar slightly and turn the chain tensioner (3) clockwise until the saw chain is flush against the bottom of the guide bar (see circle).

Push the sprocket guard quick tensioner (2) in again and tighten by turning clockwise.

#### (Fig. 47)

Release the sprocket guard chain tensioner until it turns freely, then fold it in between protective ribs (15) as shown in the illustration.

### 6c-3. Checking the chain tension



#### (Fig. 48)

The tension of the chain is correct if the chain rests against the bottom side of the guide bar and can still be easily turned by hand.

While doing so the chain brake must be released.

Check the chain tension frequently - new chains tend to get longer during use!

When checking the chain tension the engine must be switched off.

**NOTE:** It is recommended to use 2-3 chains alternatively.

In order to guarantee uniform wear of the guide bar the bar should be turned over whenever replacing the chain.

### 6c-4. Retensioning the saw chain

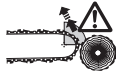
#### (Fig. 49)

All that is necessary to retension the saw chain is to loosen the quick tensioner (2) slightly as described under “Mounting the guide bar and saw chain”.

Tension the chain as already described.

## For all models

### 6-5. Chain brake



The EA3200S, EA3201S, EA3202S, EA3203S, EA3201SG, EA3203SG comes with an inertia chain brake as standard equipment. If kickback occurs due to contact of the guide-bar tip with wood (see SAFETY PRECAUTIONS 3-6 "Kickback" and Fig. 11), the chain brake will stop the chain through inertia if the kickback is sufficiently strong.

The chain will stop within a fraction of a second.

**The chain brake is installed to block the saw chain before starting it and to stop it immediately in case of an emergency.**

**IMPORTANT: NEVER run the saw with the chain brake activated** (except for testing, see 6-13 "Checking the chain brake")! **Doing so can very quickly cause extensive engine damage!**

**ALWAYS release the chain brake before starting the work!**



### (Fig. 50)

#### Engaging the chain brake (braking)



If the kickback is strong enough the sudden acceleration of the guide bar combined with the inertia of the hand guard (1) will **automatically** actuate the chain brake.

To engage the chain brake **manually**, simply push the hand guard (1) forward (towards the tip of the saw) with your left hand (arrow 1).

#### Releasing the chain brake



Pull the hand guard (1) towards you (arrow 2) until you feel it catch. The brake is now released.

### 6-6. Fuel



#### CAUTION:

This saw is powered by mineral-oil products (gasoline and oil). Be especially careful when handling gasoline. Do not smoke. Keep tool well away from open flames, spark, or fire (explosion hazard).

#### Fuel mixture

This tool is powered by a high-performance air-cooled two-stroke engine. It runs on a mixture of gasoline and two-stroke engine oil.

The engine is designed for unleaded regular gasoline with a min. octane value of 91 ROZ. In case no such fuel is available, you can use fuel with a higher octane value. This will not affect the engine.

Model EA3201SG and EA3203SG accept Brazilian gasoline (E25).

**In order to obtain an optimum engine output and to protect your health and the environment use unleaded fuel only.**

To lubricate the engine, use a synthetic oil for two-stroke air-cooled engines (quality grade JASO FC or ISO EGD), which has to be added to the fuel. The engine has been designed for use of MAKITA high-performance two-stroke engine oil and a mixture ratio of only 50:1 to protect the environment. In addition, a long service life and reliable operation with a minimum emission of exhaust gases are ensured. MAKITA high-performance two-stroke engine oil is available in the following sizes to suit your individual requirements:

1 l order number 980 008 607

100 ml order number 980 008 606

In case MAKITA high-performance two-stroke engine oil is not available, it is urgently recommended to use a mixture ratio of 25:1 with other two-stroke engine oils, as otherwise optimum operation of the engine cannot be guaranteed.


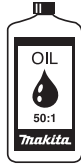



**Caution: Do not use ready-mixed fuel from petrol stations.**

#### The correct mixture ratio:

**50:1** when using MAKITA high-performance two-stroke engine oil, i. e. mix 50 parts gasoline with 1 part oil.

**25:1** when using other synthetic two-stroke engine oils (quality grade JASO FC or ISO EGD), i. e. mix 25 parts gasoline with 1 part oil.

Gasoline	50:1	25:1
		
1,000 cm <sup>3</sup> (1 litre)	20 cm <sup>3</sup>	40 cm <sup>3</sup>
5,000 cm <sup>3</sup> (5 litres)	100 cm <sup>3</sup>	200 cm <sup>3</sup>
10,000 cm <sup>3</sup> (10 litres)	200 cm <sup>3</sup>	400 cm <sup>3</sup>

#### NOTE:

For preparing the fuel-oil mixture first mix the entire oil quantity with half of the fuel required, then add the remaining fuel. Thoroughly shake the mixture before filling it into the chain saw tank.

**It is not wise to add more engine oil than specified to ensure safe operation. This will only result in a higher production of combustion residues which will pollute the environment and clog the exhaust channel in the cylinder as well as the muffler. In addition, fuel consumption will rise and performance will decrease.**

#### The Storage of Fuel

Fuels have a limited storage life. Fuel and fuel mixtures age through evaporation, especially at high temperatures. Aged fuel and fuel mixtures can cause starting problems and damage the engine. Purchase only that amount of fuel, which will be consumed over the next few months. At high temperatures, once fuel has been mixed it should be used up in 6-8 weeks.

**Store fuel only in proper containers, in dry, cool, secure locations!**

#### AVOID SKIN AND EYE CONTACT

Mineral oil products degrease your skin. If your skin comes in contact with these substances repeatedly and for an extended period of time, it will desiccate. Various skin diseases may result. In addition, allergic reactions are known to occur. Eyes can be irritated by contact with oil. If oil comes into your eyes, immediately wash them with clear water. If your eyes are still irritated, see a doctor immediately!

## 6-7. Chain oil



Use an oil with adhesive additive for lubricating the chain and guide bar. The adhesive additive prevents the oil from being flung off the chain too quickly.

We recommend the use of chain oil which is bio-degradable in order to protect the environment. The use of bio-degradable oil may even be required by local regulations.

The chain oil BIOTOP sold by MAKITA is made of special vegetable oils and is 100% bio-degradable. BIOTOP has been granted the "blue angel" (Blauer Umweltschutz-Engel) for being particularly environment-friendly (RAL UZ 48).



BIOTOP chain oil is available in the following sizes:

- 1 l      order number 980 008 610
- 5 l      order number 980 008 611

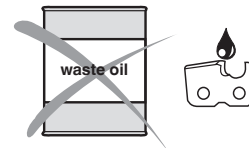
Bio-degradable oil is stable only for a limited period of time. It should be used within 2 years from the date of manufacture (printed on the container).

### Important note on bio-degradable chain oils

If you are not planning to use the saw again for an extended period of time, empty the oil tank and put in a small amount of regular engine oil (SAE 30), and then run the saw for a time. This is necessary to flush out all remaining bio-degradable oil from the oil tank, oil-feed system, chain and guide bar, as many such oils tend to leave sticky residues over time, which can cause damage to the oil pump or other parts.

The next time you use the saw, fill the tank with BIOTOP chain oil again. In case of damage caused by using waste oil or inappropriate chain oil the product guarantee will be null and void.

Your salesman will inform you about the use of chain oil.



### NEVER USE WASTE OIL

Waste oil is very dangerous for the environment.

Waste oil contains high amounts of carcinogenic substances. Residues in waste oil result in a high degree of wear and tear at the oil pump and the sawing device.

In case of damage caused by using waste oil or inappropriate chain oil the product guarantee will be null and void.

Your salesman will inform you about the use of chain oil.

### AVOID SKIN AND EYE CONTACT

Mineral oil products degrease your skin. If your skin comes in contact with these substances repeatedly and for an extended period of time, it will desiccate. Various skin diseases may result. In addition, allergic reactions are known to occur.

Eyes can be irritated by contact with oil. If oil comes into your eyes, immediately wash them with clear water.

If your eyes are still irritated, see a doctor immediately!

## 6-8. Filling fuel and chain oil



### FOLLOW THE SAFETY PRECAUTIONS!

**Be careful and cautious when handling fuels.**

**The engine must be switched off!**

Thoroughly clean the area around the caps, to prevent dirt from getting into the fuel or oil tank.

### (Fig. 51)

Unscrew the tank cap (use the universal wrench if necessary, see illustration) and fill tank with fuel mixture or saw chain oil up to the bottom edge of the filling neck. Be careful not to spill fuel or chain oil!



Chain oil



Fuel/oil mixture

Screw on the tank cap **by hand all the way.**

**Clean the tank cap and the area around the tank after refuelling.**



### Lubricating the chain

During operation there must always be sufficient chain oil in the chain-oil tank to provide good chain lubrication. At medium oil feed rate, the oil tank holds enough for one fuel tank's worth of operation. During this procedure check whether there is enough the chain oil in the tank and refill if necessary. **Do this only with the engine turned off!**

Screw on the tank cap **by hand all the way.**

### CAUTION:

Be careful not to let the tank cap touch with the muffler. Heated muffler may deform it.



## 6-9. Checking the chain lubrication

Never work with the chain saw without sufficient chain lubrication. Otherwise the service life of the chain and guide bar will be reduced. Before starting work check the oil level in the tank and the oil feed.

Check the oil feed rate as described below:  
Start the chain saw (see 6-11 "Starting the engine").

### (Fig. 52)

Hold the running chain saw approx. 15 cm above a trunk or the ground (use an appropriate base).

If the lubrication is sufficient, you will see a light oil trace because oil will be flung off the sawing device. Pay attention to the direction the wind is blowing and avoid unnecessary exposure to the oil spray!



#### Note:

After the saw has been turned off it is normal for residual chain oil to drip from the oil feed system, the guide bar and the chain for a time. This does not constitute a defect!

Place the saw on a suitable surface.

## 6-10. Adjusting the chain lubrication

The engine must be switched off!

### (Fig. 53)

You can adjust the oil pump feed rate with the adjusting screw (1). The adjusting screw is on the bottom side of the housing. The oil pump comes factory-set to a minimum feed rate. You can set the chain oil feed rate to minimum and maximum feed rate.

To adjust the supply rate, use a small screwdriver to turn the adjusting screw:

- to the right for a faster
  - to the left for a slower
- oil feed rate.

Pick one of the two settings depending on the length of the guide bar.

While working make sure there is enough chain oil in the tank. If necessary, add oil.

### (Fig. 54)

To ensure troublefree operation of the oil pump the oil guide groove at the crank case (2) and the oil inlet bore in the guide bar (3) must be cleaned regularly.

#### Note:

After the saw has been turned off it is normal for residual chain oil to drip from the oil feed system, the guide bar and the chain for a time. This does not constitute a defect!

Place the saw on a suitable surface.

## 6-11. Starting the engine



**Do not start the chain saw until after it is completely assembled and checked!**

### (Fig. 55)

Move at least 3 meters / 10 feet away from the place where the chain saw was fuelled.

Make sure you have a secure footing, and place the saw on the ground in such a way that the guide bar and chain are not near anything.

Actuate the chain brake (block it).

Hold the front handle firmly with one hand and press the saw against the ground.

Hold the down rear handguard with your right foot as shown.

**Note:** The Featherlight-Start System lets you start the saw without effort. Go through the starting procedure smoothly and evenly.

Move the combination switch (1) up (choke position). This also actuates the half-throttle lock.

Pull the starter handle (2) smoothly and evenly.

**CAUTION:** Do not pull the starter cable more than about 50 cm/20" out, and let it back in slowly by hand.

Repeat the starting procedure twice.

Move the combination switch (1) to the central "ON" position. Pull the starter handle smoothly and evenly again. As soon as the engine is running, grasp the rear handle (the safety lock button (3) is actuated by the palm of the hand) and press the throttle trigger (4).

**CAUTION:** The engine must be put in idle immediately after starting. If this is not done, the clutch can be damaged.

Now disengage the chain brake.



#### Warm starting:

As described above for cold starting, but before starting push the combination switch (1) up (Choke position) and then right away back to the middle "ON" position. This is only to engage the half-throttle lock. If the engine doesn't start after 2 or 3 pulls, repeat the entire starting procedure as described for cold starting.

**NOTE:** If the engine was switched off only for a short time, the saw can be started without using the combination switch.

**Important:** If the fuel tank has been completely emptied and the engine has stopped due to lack of fuel prime the fuel pump (5) by pressing it several times until you can see fuel in the pump.

### (Fig. 56)

#### Combination switch



— Cold start (Choke)

— Warm start (ON)

— Engine off



— Safety position (ignition current cut off, necessary for all maintenance, repair, and installation work)

#### Cold starting:

Prime the fuel pump (5) by pressing it several times until you can see fuel in the pump.




---

## 6-12. Stopping the engine

Depress the combination switch  (1).

**NOTE:** After being pressed down, the combination switch will revert to the ON position again. The engine is switched off, but can be turned on again without moving the combination switch.

**IMPORTANT:** To cut off the ignition current, push the combination switch all the way down past the resistance point to the safety position ().

---

## 6-13. Checking the chain brake

**The chain brake must be checked before every use of the saw!**

Start the engine as described above (have a secure footing, place the chain saw on the ground so that the chain and guide bar are not near anything).

**(Fig. 57)**

Hold the front handle firmly, with your other hand on the rear grip.

Let the engine run at medium speed and push the handguard (6) in the direction of the arrow using the back of your hand, until the chain brake engages. The chain should now stop immediately.

Bring the engine back to idle and release the chain brake.

**Caution: If the chain does not stop immediately in this test, turn off the engine immediately. Do NOT use the chain saw in this condition! Contact a MAKITA authorized service center.**

---

## 6-14. Adjusting the carburetor

**(Fig. 58)**

**CAUTION: Carburetor adjustment may only be done by a specialist MAKITA service center!**



**SERVICE**

**Only adjusting screw (S) can be manipulated by the user. If the saw chain moves in idle (i.e. without the throttle being pressed), it is imperative to correct the idle speed!**

**Do not adjust the idle speed until after complete assembly and testing of the saw!**

**Idle speed adjustment must only be undertaken when the engine is warm, with a clean air filter and properly installed guide bar and chain.**

Use a screwdriver (4 mm blade) for idle adjustments.

### Adjusting the idle speed

**Turn adjusting screw (S) counter-clockwise (unscrew):** Idle speed decreases.

**Turn adjusting screw (S) clockwise (screw in):** Idle speed increases.

**Important: If the saw chain still moves during idle even after you have adjusted the idle speed, do NOT use the saw. Take it to a MAKITA service center!**

## 7. MAINTENANCE

### 7-1. Sharpening the saw chain



**CAUTION:** Before doing any work on the guide bar or chain, always switch off the engine and pull the plug cap off the spark plug (see 7-6 “Replacing the spark plug”). Always wear protective gloves!

#### (Fig. 59)

##### The chain needs sharpening when:

The sawdust produced when sawing damp wood looks like wood flour.

The chain penetrates the wood only under great pressure.

The cutting edge is visibly damaged.

The saw is pulled to the left or right when sawing. This is caused by uneven sharpening of the chain.

**Important: Sharpen frequently, but without removing too much metal!**

Generally, 2 or 3 strokes of the file will be enough.

Have the chain resharpened at a service center when you have already sharpened it yourself several times.

##### Proper sharpening:

**CAUTION:** Use only chains and guide bars designed for this saw (see 10 “Extract from the spare parts list”!)

#### (Fig. 60)

All cutters must be of the same length (dimension a). Cutters with different lengths result in rough running of the chain and can cause cracks in the chain.

The minimum cutter length: 3 mm. Do not resharpen the chain when the minimum cutter length has been reached; at this point, the chain must be replaced (see 10 “Extract from the spare parts list” and 7-4 “Replacing the saw chain”).

The depth of the cut is determined by the difference in height between the depth limiter (round nose) and the cutting edge.

The best results are obtained with a depth-limiter depth of 0.64 mm (.025”).



**CAUTION:** Excessive depth increases the risk of kickback!



#### (Fig. 61)

The sharpening angle ( $\alpha$ ) must be identical for all cutters!

30° for chain type 092 (91VG), 492 (91PX), 290 (90SG), 291 (90PX)

The teeth will have the proper angle ( $\beta$ ) automatically if the proper round file is used.

80° for chain type 092 (91VG), 492 (91PX)

75° for chain type 290 (90SG), 291 (90PX)

Different angles result in a roughly, irregularly running chain, increase wear and tear and cause chain beakage.

##### Files and how to work with them

Use a special saw chain round file for sharpening. Standard round files are unsuitable. See 10 “Extract from the spare parts list”.

**Type 092 (91VG), 492 (91PX):** Saw chain round file, dia. 4.0 mm

**Type 290 (90SG), 291 (90PX):** Saw chain round file, dia. 4.5 mm.

#### (Fig. 62)

The file should cut only when pushed forwards (arrow). Lift the file when leading it backwards.

First sharpen the shortest cutter. The length of this cutter is then the standard for all other cutters of the chain.

New saw teeth must be filed to the exact same shape as the used teeth, including on their running surfaces.

File depending on chain type (90° or 10° to the guide bar).

#### (Fig. 63)

A file holder makes file guidance easier. It is marked for the correct sharpening angle of:

$$\alpha = 30^\circ$$

(keep the marks parallel with the chain when filing, see illustration) and limits the cut depth to the correct 4/5 of the file diameter.

#### (Fig. 64)

After having sharpened the chain, the height of the depth limiter must be checked by means of a chain gauge. See 10 “Extract from the spare parts list”.

Correct even the smallest excess height with a special flat file (1). See 10 “Extract from the spare parts list”.

Round off the front of the depth limiter (2).

### 7-2. Cleaning the inside of the sprocket guard



**CAUTION:** Before doing any work on the guide bar or chain, always switch off the engine and pull the plug cap off the spark plug (see 7-6 “Replacing the spark plug”). Always wear protective gloves!

**CAUTION:** Start the chain saw only after having assembled it completely and inspected.

#### (Fig. 65)

Remove the sprocket guard (1) (see 6 “PUTTING INTO OPERATION” for the correct model) and clean out the interior with a brush.

Remove the chain (2) and guide bar (3).

##### NOTE:

Make sure there are no residues or foreign matter remaining in the oil guide groove (4) or on the chain tensioner (5).

To install the guide bar, saw chain, and sprocket guard, see 6 “PUTTING INTO OPERATION” for the correct model.

##### NOTE:

**The chain brake is a very important safety device and like any other component subject to normal wear and tear.**

**Regular inspection and maintenance are important for your own safety and must be done by a MAKITA service center.**



**SERVICE**

### 7-3. Cleaning the guide bar

**CAUTION: Protective gloves must be worn.**

#### (Fig. 66)

Regularly inspect the bearing surfaces of the guide bar (7) for damage, and clean them with a suitable tool.  
Keep the two oiling holes (6) and the entire guide bar clean and free of foreign matter!

### 7-4. Replacing the saw chain



**CAUTION: Use only chains and guide bars designed for this saw!**

#### (Fig. 67)

Check the sprocket before mounting a new chain.  
Worn out sprockets (8) may damage the new chain and must therefore be replaced.  
Remove the sprocket guard (see 6 "PUTTING INTO OPERATION").  
Remove the chain and guide bar.  
Remove circlip (9).

**CAUTION:** The circlip will pop out of the groove. When removing it, hold your thumb against it to prevent it from popping off.

Remove shim washer (11).  
If the sprocket (8) is worn out, the complete clutch drum (12) will need to be replaced.  
Install a complete new clutch drum (12), shim washer (11) and new circlip (9).  
For replacing the guide bar, chain, and sprocket see 6 "PUTTING INTO OPERATION".

#### NOTE:

Don't use a new chain on a worn chain sprocket. By the time 2 chains have worn, the sprocket has become worn out, so it should be replaced at least at every second chain replacement. To distribute the chain oil evenly, run a new chain at half-throttle for a few minutes before use.  
New chains stretch, so check the chain tension frequently (see 6-3 "Checking the chain tension").

### 7-5. Cleaning the air filter

**CAUTION: To prevent eye injury, always wear eye protection when cleaning the filter with compressed air! Do not use fuel to clean the air filter.**

#### (Fig. 68)

Pull out the hood cap (1).  
Loosen the screw (2) counter-clockwise and remove the hood (3).  
Push up the combination switch (4) (Choke position) to prevent dirt particles from falling into the carburetor.  
Pull the air filter cover tab (5) slightly in the direction of the arrow, and remove the air filter cover.  
Remove the air filter (6).  
**IMPORTANT:** Cover the intake opening with a clean cloth to prevent dirt particles from getting into the carburetor.

If the filter is very dirty, clean it in lukewarm water with dishwashing detergent.  
Let the air filter **dry completely**.  
If the filter is very dirty, clean it frequently (several times a day), because only a clean air filter provides full engine power.

**CAUTION:**  
Replace damaged air filters immediately.  
Pieces of cloth or large dirt particles can destroy the engine!

Insert the air filter (6) in the illustrated direction.

**CAUTION:**  
Do not insert the air filter upside-down, even after cleaning it. Otherwise dirt particles on the outside surface of the air filter come into the carburetor and can cause an engine trouble.

Put on the air filter cover.

**Note:** The air filter cover tab (5) will engage automatically if the air filter cover is properly positioned.

Push down the combination switch (4) and press the throttle (7) all the way down one time in order to deactivate the throttle lock.

Put on the hood (3). When doing so make sure that the lower pins (8) on both sides of the hood engage properly (when correctly assembled, the pins should not be visible).

Tighten screw (2) clockwise.

Return the hood cap (1).

### 7-6. Replacing the spark plug



**CAUTION:**  
Do not touch the spark plug or plug cap if the engine is running (high voltage).  
Switch off the engine before starting any maintenance work. A hot engine can cause burns. Wear protective gloves!

The spark plug must be replaced in case of damage to the insulator, electrode erosion (burn) or if the electrodes are very dirty or oily.

#### (Fig. 69)

Remove the filter cover (see 7-11 "Cleaning the air filter").  
Pull the plug cap (9) off the spark plug. You can remove the plug cap by hand.

#### Electrode gap

The electrode gap must be 0.6 mm.

**CAUTION:** Use only the following spark plugs:  
NGK CMR6A.

### 7-7. Checking the ignition spark

#### (Fig. 70)

Press the loosened spark plug (10) with the ignition cable firmly connected against the cylinder using insulated pliers (not near the spark plug opening).  
Put combination switch (11) in the "ON" position.  
Pull the starter cable hard.  
If the function is correct, an ignition spark must be visible near the electrodes.

### 7-8. Checking the muffler screws



#### (Fig. 71)

Unscrew 3 screws (12) and remove the upper half of the muffler (13).

**Note:** For saw models with catalytic converters (EA3200S, EA3201S, EA3201SG), remove the converter along with the upper muffler half.

The screws on the bottom muffler half (14) are now accessible, and it is possible to check them for tightness. If they are loose, tighten by hand (Caution: do not over-tighten).

## 7-9. Replacing the starter cable/ Replacing the return spring pack/Replacing the starter spring



### (Fig. 72)

Unscrew three screws (1).

Remove fan housing (2).

Remove the air guide (3) from the fan housing.

**CAREFUL! Injury hazard! Do not unscrew screw (7) if the return spring is under tension.**

If the starter cable is to be replaced although it is not broken, it will be necessary to first de-tension the cable drum return spring (13).

To do this, use the grip to pull the cable all the way out of the fan housing.

Hold the cable drum with one hand, and with the other push the cable into the space (14).

Carefully let the drum turn until the return spring is no longer under tension.

Unscrew screw (7) and remove the driver (8) and spring (6).

**Carefully** remove the cable drum.

Remove any cable pieces.

Thread a new cable (dia. 3.0 mm, length 900 mm) as shown in the illustration (don't forget the washer (10)) and knot both ends as shown.

Pull knot (11) into the cable drum (5).

Pull knot (12) into the starter grip (9).

Put the drum on its spindle and turn it slightly until the return spring engages.

Place the spring (6) in the driver (8) and place them together in the cable drum (5) while turning slightly counter-clockwise. Insert screw (7) and tighten.

Guide the cable into the slot (14) on the cable drum and turn the drum with the cable clockwise three times.

Hold the cable drum with your left hand and with your right hand untwist the cable, pull it tight and hold it.

Carefully release the cable drum. The spring will wind the cable around the drum.

Repeat the procedure once. The starter grip should now stand straight up on the fan housing.

**NOTE:** With the cable pulled all the way out, it must still be possible to turn the pulley another 1/4 turn against the return spring.

**CAUTION: Danger of injury! Secure the cable grip when pulled out! It will whip back if the cable pulley is released by accident.**

### Replacing the return spring pack

Disassemble the fan housing and cable drum (see above).

**CAREFUL! Injury hazard! The return spring can pop out! Always wear eye protection and protective gloves!**

Lightly tap the fan housing on a wooden surface with the entire surface of the hollow side, and **hold it down**. Now lift the fan housing **carefully and in small steps**. This will allow the return spring pack (13), which should now have fallen out, to relax in a controlled manner if the return spring has popped out of the plastic pack.

Carefully insert a new return spring cassette and press down until it engages.

Place the cable drum on it and turn it slightly until the return

spring engages.

Install the spring (6) and driver (8) and screw on tight with screw (7).

Tension the spring (see above).

### Replacing the starter spring

**NOTE:** If the spring (6) in the Featherlight-Starting system is broken, more effort will be required to start the engine and you will notice some resistance when pulling the starter cable. If you notice this, check the spring (6) and replace if necessary.

## 7-10. Mounting the fan housing

### (Fig. 72)

Insert the air guide (3) in the fan housing so that the three recesses (4) engage.

Position the fan housing against the housing, press against it lightly and pull the starter grip until the starter engages.

Tighten screws (1).

## 7-11. Cleaning the air filter compartment / fan compartment



### (Fig. 73)

Remove cover.

Remove the fan housing.

**CAUTION: To prevent eye injury, always wear eye protection when cleaning the filter with compressed air!**

The entire area (15) can now be brushed clean or cleaned with compressed air.

## 7-12. Cleaning the cylinder fins

### (Fig. 74)

A bottle brush can be used to clean the cylinder fins.

## 7-13. Replacing the suction head



### (Fig. 75)

The felt filter (16) of the suction head can become clogged. It is recommended to replace the suction head once every three months in order to ensure unimpeded fuel flow to the carburetor.

To remove the suction head for replacement, pull it out through the tank filler neck using a piece of wire bent at one end to form a hook.

## 7-14. Instructions for periodic maintenance

To ensure long life, prevent damage and ensure the full functioning of the safety features the following maintenance must be performed regularly. Guarantee claims can be recognized only if this work is performed regularly and properly. Failure to perform the prescribed maintenance work can lead to accidents!

The user of the chain saw must not perform maintenance work which is not described in the instruction manual. All such work must be carried out by a MAKITA service center.

			Section
<b>General</b>	Chain saw	Clean exterior, check for damage. In case of damage, have repaired by a qualified service center immediately	
	Saw chain	Sharpen regularly, replace in good time	7-1
	Chain brake	Have inspected regularly at an authorized service center	
	Guide bar	Turn over to ensure even wear of bearing surfaces Replace in good time	6a - c 7-3
	Starter cable	Check for damage. Replace if damaged.	7-9
<b>Before each start</b>	Saw chain	Inspect for damage and sharpness  Check chain tension	7-1  6a-3, 6b-3, 6c-3
	Guide bar	Check for damage	
	Chain lubrication	Functional check	6-9
	Chain brake	Functional check	6-13
	Combination switch, Safety locking button, Throttle lever	Functional check	6-11
	Fuel/oil tank cap	Check for tightness	
	<b>Every day</b>	Air filter	Clean (several times daily if necessary)
Guide bar		Check for damage, clean oil intake bore	7-3
Guide bar support		Clean, in particular the oil guide groove	6-10, 7-2
Idle speed		Check (chain must not run)	6-14
<b>Every week</b>	Fan housing	Clean to maintain good cooling air flow.	5
	Air filter compartment	Clean to maintain good cooling air flow.	7-11
	Fan compartment	Clean to maintain good cooling air flow.	7-11
	Cylinder fins	Clean to maintain good cooling air flow.	7-12
	Spark plug	Check and replace if necessary	7-6, 7-7
	Muffler	Check tightness of mounting, Check screws	5, 7-8
	Chain catcher	Check	5
	Screws and nuts	Check their condition and that they are firmly secured.	
<b>Every 3 months</b>	Suction head	Replace	7-13
	Fuel, oil tanks	Clean	
<b>Annually</b>	Chain saw	Check at an authorized service center	
<b>Storage</b>	Chain saw	Clean exterior, check for damage. In case of damage, have repaired by a qualified service center immediately	
	Guide bar/chain	Demount, clean and oil slightly  Clean the guide groove of the guide bar	7-3
	Fuel, oil tanks	Empty and clean	
	Carburetor	Run empty	



---

## 8. Service, spare parts and guarantee

### Maintenance and repair

The maintenance and repair of modern engines as well as all safety devices require qualified technical training and a special workshop equipped with special tools and testing devices.

Any work not described in this Manual may be performed only by a MAKITA service center.

The MAKITA service centers have all the necessary equipment and skilled and experienced personnel, who can work out cost-effective solutions and advise you in all matters. To find your local distributor, please visit [www.makita-outdoor.com](http://www.makita-outdoor.com)

Repair attempts by third parties or unauthorized persons will void all warranty claims.

### Spare parts

Reliable long-term operation, as well as the safety of your chain saw, depend among other things on the quality of the spare parts used. Use only original MAKITA parts.

Only original spare parts and accessories guarantee the highest quality in material, dimensions, function and safety.

Original spare parts and accessories can be obtained from your local dealer. He will also have the spare part lists to determine the required spare part numbers, and will be constantly informed about the latest improvements and spare part innovations.

Please bear in mind that if parts other than original MAKITA spare parts are used, this will automatically invalidate the MAKITA product guarantee.

### Guarantee

MAKITA guarantees the highest quality and will therefore reimburse all costs for repair by replacement of damaged parts resulting from material or production faults occurring within the guarantee period after purchase. Please note that in some countries particular guarantee conditions may exist. If you have any questions, please contact your salesman, who is responsible for the guarantee of the product.


Please note that we cannot accept any responsibility for damage caused by:

- Disregard of the instruction manual.
- Non-performance of the required maintenance and cleaning.
- Incorrect carburetor adjustment.
- Normal wear and tear.
- Obvious overloading due to permanent exceeding of the upper performance limits.
- Use of guide bars and chains which have not been approved.
- Use of guide bar and chain lengths which have not been approved.
- Use of force, improper use, misuse or accidents.
- Damage from overheating due to dirt on the fan housing.
- Work on the chain saw by unskilled persons or inappropriate repairs.
- Use of unsuitable spare parts or parts which are not original MAKITA parts, insofar as they have caused the damage.
- Use of unsuitable or old oil.
- Damage related to conditions arising from lease or rent contracts.

- Damages caused by disregarding loose outer bolted connections.

Cleaning, servicing and adjustment work is not covered by the guarantee. All repairs covered by the guarantee must be performed by a MAKITA service center.

## 9. Trouble shooting

Malfunction	System	Observation	Cause
Chain does not run	Chain brake	Engine runs	Chain brake actuated.
Engine does not start or only with difficulty	Ignition system	Ignition spark	Malfunction in fuel supply system, compression system, mechanical malfunction.
		No ignition spark	STOP switch in  position, fault or short-circuit in the wiring, Spark plug cap or spark plug defective
	Fuel supply	Fuel tank is filled	Combination switch in Choke position, carburetor defective, suction head dirty, fuel line bent or interrupted.
	Compression system	Inside	Cylinder base packing ring defective, radial shaft packings defective, cylinder or piston rings defective
Outside		Spark plug does not seal.	
Mechanical malfunction	Starter does not engage	Spring in starter broken, broken parts inside the engine.	
Warm start difficulties	Carburetor	Fuel tank is filled Ignition spark	Wrong carburetor adjustment.
Engine starts, but dies immediately	Fuel supply	Fuel tank is filled	Wrong idling adjustment, suction head or carburetor dirty. Tank venting defective, fuel line interrupted, cable defective, Combination switch defective
Insufficient power	Several systems may be involved simultaneously	Engine is idling	Air filter dirty, wrong carburetor adjustment, muffler clogged, exhaust channel in cylinder clogged, spark arrester screen clogged.
No chain lubrication	Oil tank/pump	No oil on the chain	Oil tank empty. Oil guide groove dirty. Oil-pump adjusting screw incorrectly adjusted.

## 10. Extract from the spare parts list (Fig. 76)

Use only original MAKITA parts. For repairs and replacement of other parts, see your MAKITA service center.



EA3200S, EA3201S

EA3202S, EA3203S

EA3201SG, EA3203SG



### Spare parts

Pos.	Qty.	Denomination
1	1	Sprocket nose bar 3/8", 30 cm, 1.3 mm (12")
	1	Sprocket nose bar 3/8", 35 cm, 1.3 mm (14")
	1	Sprocket nose bar 3/8", 40 cm, 1.3 mm (16")
2	1	Saw chain 3/8" for 30 cm, 1.3 mm
	1	Saw chain 3/8" for 35 cm, 1.3 mm
	1	Saw chain 3/8" for 40 cm, 1.3 mm
1	1	Sprocket nose bar 3/8", 30 cm, 1.1 mm (12")
	1	Sprocket nose bar 3/8", 35 cm, 1.1 mm (14")
2	1	Saw chain 3/8" for 30 cm, 1.1 mm
	1	Saw chain 3/8" for 35 cm, 1.1 mm
1	1	Sprocket nose bar 3/8", 30 cm, 1.3 mm (12")
	1	Sprocket nose bar 3/8", 35 cm, 1.3 mm (14") 
	1	Sprocket nose bar 3/8", 40 cm, 1.3 mm (16")
2	1	Saw chain 3/8" for 30 cm, 1.3 mm
	1	Saw chain 3/8" for 35 cm, 1.3 mm
	1	Saw chain 3/8" for 40 cm, 1.3 mm
1	1	Sprocket nose bar 3/8", 30 cm, 1.1 mm (12")
	1	Sprocket nose bar 3/8", 35 cm, 1.1 mm (14") 
2	1	Saw chain 3/8" for 30 cm, 1.1 mm
	1	Saw chain 3/8" for 35 cm, 1.1 mm
3	1	Chain protector for 30-35 cm (3/8")
	1	Chain protector for 40 cm (3/8")
4	1	Universal wrench SW 16/13
6	1	Carburetor screwdriver
7	1	Suction head
8	1	Fuel tank cap, cpl.
9	1	O-Ring 29.3 x 3.6 mm
10	1	Return spring pack, complete
11	1	Spring
12	1	Driver
13	1	Starter cable 3.0 x 900 mm
14	1	Spark plug
15	1	Oil tank cap, cpl.
16	1	O-Ring 29.3 x 3.6 mm
17	1	Air filter
18	1	Sprocket guard, cpl.
	1	Sprocket guard (with fast tensioner), complete
19	2	Hexagonal nut M8
20	1	Clutch drum cpl. 3/8", 6-tooth
21	1	Shim washer
22	1	Circlip
23	1	Spark arrester screen

### Accessories (not delivered with the chain saw)

25	1	Chain gauge
26	1	File handle
27	1	Round file, dia. 4.5 mm
28	1	Round file, dia. 4.0 mm
29	1	Flat file
30	1	File holder (with round file dia. 4.5 mm)
31	1	File holder (with round file dia. 4.0 mm)
32	1	Offset screwdriver
-	1	Combined can (for 5l fuel, 3l chain oil)

## Agradecemos su confianza

Lo felicitamos por la adquisición de su nueva motosierra MAKITA y esperamos que esta moderna máquina satisfaga plenamente sus expectativas. Los modelos EA3200S, EA3201S, EA3202S, EA3203S, EA3201SG, EA3203SG son motosierras especialmente prácticas y poderosas en un nuevo diseño.

La lubricación automática de la cadena con una bomba de aceite de suministro variable, el arranque electrónico que no necesita mantenimiento, el sistema antivibratorio para el uso seguro y el ergonómico diseño de los agarres y de los elementos de mando brindan una gran comodidad de manejo y facilitan un trabajo descansado. El sistema de arranque suave con resorte permite arrancar sin gastar energía en exceso. Un almacenador de fuerza respalda la puesta en marcha. Según el país, estos modelos también están equipados con un catalizador. El catalizador reduce las partículas nocivas del gas de escape y al mismo tiempo cumple con la Directiva europea 2002/88/CE.

Las motosierras EA3200S, EA3201S, EA3202S, EA3203S, EA3201SG, EA3203SG MAKITA disponen de un equipamiento de seguridad avanzado que cumple con todas las normas de seguridad nacionales e internacionales. Este incluye: protectores de manos en ambos agarres, bloqueo del acelerador, perno de retención de la cadena, cadena de sierra de seguridad y freno de la cadena con activación manual y automática en el caso de rebote, a través de la aceleración ocasionada.

Se aplican los siguientes derechos de propiedad industrial:

DE 101 32 973, DE 20 2008 006 013, DE 20 2009 013 953, DE 203 19 902, DE 203 01 182, DE 197 22 629, DE 10 2007 039 028, DE 10 2007 038 199.

Para poder garantizar el funcionamiento y la potencia óptimos de su nueva motosierra y para su propia seguridad ponga atención a lo siguiente:

**Es indispensable leer con mucha atención las instrucciones de funcionamiento antes de utilizar la motosierra por primera vez. ¡Preste especial atención a las recomendaciones de seguridad! ¡No acatar estas instrucciones puede ocasionar lesiones personales o incluso la muerte puede ocasionar lesiones con peligro de muerte!**



### ADVERTENCIA

El sistema de encendido de esta máquina genera un campo electromagnético. Este campo puede causar perturbaciones en los aparatos médicos, como los marcapasos. Para reducir el peligro de lesiones graves o mortales, las personas que porten un aparato médico deberán consultar con su médico o con el fabricante del aparato antes de utilizar la máquina.

## Indice

Página

<b>1. Inventario del suministro</b> .....	35
<b>2. Símbolos</b> .....	35
<b>3. RECOMENDACIONES DE SEGURIDAD</b> .....	36
3-1. Utilización conforme a lo proyectado .....	36
3-2. Recomendaciones generales .....	36
3-3. Accesorios para su protección.....	36
3-4. Combustibles/Cargar combustible.....	36
3-5. Puesta en marcha.....	36
3-6. Repulsiones (kickback).....	37
3-7. Comportamiento/Método de trabajar .....	37
3-8. Transporte y almacenamiento.....	39
3-9. Mantenimiento .....	39
3-10. Los primeros auxilios .....	39
<b>4. Datos técnicos</b> .....	40
<b>5. Denominación de los componentes</b> .....	41
<b>6. PUESTA EN MARCHA</b> .....	41
<b>6a. Sólo para modelos con tuercas de sujeción y protección de la rueda dentada</b> .....	41
6a-1. Montaje de la guía y de la cadena de sierra.....	41
6a-2. Tensión de la cadena de sierra .....	41
6a-3. Control de la tensión de la cadena .....	42
6a-4. Retención de la cadena de sierra .....	42
<b>6b. Sólo para guías QuickSet</b> .....	42
6b-1. Montaje de la guía y de la cadena de sierra .....	42
6b-2. Tensión de la cadena de sierra .....	42
6b-3. Control de la tensión de la cadena .....	42
6b-4. Retención de la cadena de sierra .....	43
<b>6c. Sólo para modelos con tensor rápido y protección de la rueda dentada (TLC)</b> .....	43
6c-1. Montaje de la guía y de la cadena de sierra .....	43
6c-2. Tensión de la cadena de sierra .....	43
6c-3. Control de la tensión de la cadena .....	43
6c-4. Retención de la cadena de sierra .....	44
<b>Para todos los modelos</b>	
6-5. Freno de cadena.....	44
6-6. Combustibles.....	44
6-7. Aceite para cadenas .....	45
6-8. Recarga de combustible y aceite para la cadena .....	46
6-9. Control del engrase de la cadena .....	46
6-10. Ajuste del engrase de la cadena .....	46
6-11. Arranque del motor .....	47
6-12. Parada del motor .....	47
6-13. Control del freno de la cadena .....	47
6-14. Ajuste del carburador.....	48
<b>7. MANTENIMIENTO</b> .....	48
7-1. Afilar la cadena de sierra .....	48
7-2. Limpiar el interior de la rueda dentada .....	49
7-3. Limpiar la guía de sierra .....	49
7-4. Nueva cadena de sierra.....	49
7-5. Limpiar el filtro de aire .....	49
7-6. Cambiar la bujía.....	50
7-7. Controlar la chispa de encendido .....	50
7-8. Controlar los tornillos del silenciador .....	50
7-9. Recambio de la cuerda de arranque / Reponer el soporte del resorte de torsión / Reemplazar el resorte de arranque .....	50
7-10. Montaje de la carcasa del ventilador.....	51
7-11. Limpiar el recinto del filtro de aire / ventilador .....	51
7-12. Limpiar las aletas del cilindro .....	51
7-13. Cambiar la cabeza de aspiración.....	51
7-14. Instrucciones para el mantenimiento regular .....	52
<b>8. Servicio, piezas de repuesto y garantía</b> .....	53
<b>9. Localización de averías</b> .....	54
<b>10. Extracto de la lista de piezas de repuesto</b> .....	55

## 1. Inventario del suministro (Fig. 1)

1. Motosierra
2. Guía
3. Cadena
4. Protector de la guía
5. Herramienta de montaje
6. Destornillador para regulación del carburador
7. Instrucciones de manejo (ver las ilustraciones al inicio de este manual)

Si uno de los componentes indicados en la lista no está incluido en la extensión del suministro, póngase en contacto con su vendedor.

## 2. Símbolos

En el equipo y durante la lectura de las instrucciones de manejo, Ud. se encontrará con los siguientes símbolos:

	¡Lea las instrucciones de manejo y observe las advertencias e instrucciones de seguridad!		Freno de cadena
	¡Preste cuidado y atención especial!		¡Tome la motosierra con ambas manos mientras trabaja! ¡Usar una sola mano es extremadamente peligroso!
	¡Prohibido!		Mezcla de aceite y combustible
	¡Use el casco de seguridad, la protección de ojos y del oído!		Ajuste del carburador
	¡Use guantes protectores!		Relleno de aceite/bomba de aceite de la cadena
	¡Prohibido fumar!		Tornillo de ajuste del aceite de la motosierra
	¡Prohibido fuego abierto!		Bomba primer
	¡Detenga el motor!		Primeros auxilios
	Arranque el motor		
	Interruptor combinado estárter antiguo/ON/Stop (I/O)		
	Posición de seguridad		
	¡Precaución, repulsión!		



### 3. RECOMENDACIONES DE SEGURIDAD

#### 3-1. Utilización conforme a lo proyectado

##### Motosierras

La motosierra sólo deberá utilizarse para el corte de madera al aire libre. Según la clase de motosierra son aptas para las aplicaciones siguientes:

- **Para clases medias y profesionales:** Utilización con madera débil, media y fuerte, Corte, tala, desbrozar y aclarar.
- **Aficionados:** Para uso ocasional con madera delgada, cuidado de frutales, corte, tala, desbrozar.

##### Usuarios no autorizados:

El aparato no deberá ser manejado por Personas, que no estén familiarizadas con las instrucciones de manejo, niños, jóvenes así como personas que estén bajo la influencia del alcohol, drogas o medicamentos.

¡Las regulaciones nacionales pueden limitar el uso del aparato!

#### 3-2. Recomendaciones generales

- **Para garantizar el manejo seguro y familiarizarse con la motosierra, el operador debe leer con mucha atención las instrucciones de manejo. (Fig. 2)**  
Operadores no bien informados pueden arriesgar su seguridad y la de otras personas si manejan la motosierra inadecuadamente.
- Prestar la motosierra únicamente a personas experimentadas en manejarla. Adjuntar las instrucciones de manejo.
- Recomendamos a personas que utilizan una motosierra por primera vez dejarse instruir por el vendedor o participar en un curso con certificado oficial para familiarizarse con las características de una sierra accionada por motor.
- Niños y menores de menos de 18 años no deben utilizar la motosierra. Exceptuados de esta prohibición son menores de más de 16 años si trabajan con la motosierra por razones de formación y están bajo la vigilancia de un perito.
- Trabajar con la motosierra exige total atención.
- Trabajar sólo en buen estado físico. Cansancio corporal también causa descuido. Nunca trabaje si está enfermo. Al fin de una jornada la atención debe ser especialmente grande. Efectuar todos trabajos con calma y cuidado. El operador es responsable para la seguridad de otras personas.
- Bajo ningún concepto debe trabajarse bajo la influencia de alcohol, drogas o medicamentos. (Fig. 3)
- Si se trabaja en una vegetación ligeramente inflamable o durante sequedad, es necesario tener un extintor al lugar de trabajo (peligro de incendio forestal).

#### 3-3. Accesorios para su protección (Fig. 4 & 5)

- **Para evitar heridas en cabeza, ojos, manos, pies y oído, hay que llevar el equipo descrito a continuación.**
- Llevar ropa adecuada, es decir ropa que es ajustada al cuerpo pero no inconveniente. No llevar joyas o otras cosas que puedan quedar enganchadas en matas o ramas. Recoger cabellos largos con una redcilla.
- Se debe llevar un **casco de seguridad (1)** cuando se trabaja en el bosque. Protege contra ramas que caen desde arriba. Comprobar regularmente si el casco de seguridad tiene daños y cambiarlo después de 5 años, lo más tarde. Únicamente llevar cascos de seguridad con certificado de prueba.
- La **protección de cara (2)** del casco (o las gafas de protección) protege contra aserrín y astillas. Al trabajar con la motosierra llevar siempre una protección para la cara y los ojos.

- Para evadir defectos del oído, llevar apropiados medios de **protección contra el ruido** (protección de los oídos (3), cápsulas, algodón encerado etc.). Análisis de banda de octava, a pedido.
- La **chaqueta de seguridad (4)** tiene espaldas en color de señalización, es favorable al cuerpo y de fácil entretenimiento.
- El **pantalón de seguridad con peto (5)** tiene varias capas de nilón y protege contra cortaduras. Es recomendable llevarlo siempre.
- **Guantes de trabajo (6)** de cuero recio son parte del equipo de seguridad recomendado para su protección. Llevarlos siempre al trabajar con su motosierra.
- Al trabajar con la motosierra llevar **zapatos de seguridad o botas de seguridad (7)** con suela antideslizante, puntera de acero y una protección de la pierna. Los zapatos de seguridad con plantilla especial protegen contra cortaduras y garantizan estabilidad.
- Al serrar madera seca puede producirse polvo. Usar la adecuada máscara protectora.

#### 3-4. Combustibles/Cargar combustible

- Parar el motor de la motosierra para cargar combustible.
- Es prohibido fumar o trabajar cerca de fuegos abiertos (Fig. 6).
- Dejar enfriar el motor antes de cargar combustible.
- Combustibles pueden contener sustancias a modo de disolventes. Evitar el contacto de la piel y los ojos con el combustible. Llevar guantes al cargar combustible. Cambiar y limpiar su ropa de seguridad con frecuencia. No aspirar vapores de combustible. La inhalación de gases de escape puede perjudicar la salud.
- No derramar combustible o aceite de cadena. Limpiar la motosierra inmediatamente si se ha derramado combustible o aceite. Evitar el contacto de su ropa con combustible. Cambiarse inmediatamente si su ropa ha tenido contacto con combustible.
- Prestar atención a que combustible o aceite no se fuguen por la tierra (protección del ambiente). Usar una base apropiada.
- No cargar combustible en lugares cerrados. El vapor de combustible se acumulará cerca del suelo (peligro de explosión).
- Cerrar firmemente los depósitos de combustible y aceite con los tapones.
- Cambiar el lugar antes de arrancar el motor (al menos 3 metros del lugar donde se ha cargado combustible) (Fig. 7).
- Combustibles son de conservabilidad limitada. No comprar más del que se pueda consumir pronto.
- Transportar y almacenar combustible y aceite sólo en bidones admitidos y marcados. Prestar atención a que combustibles y aceites no sean accesibles para niños.

#### 3-5. Puesta en marcha

- **No trabajar solo; para casos de emergencia, debe haber una persona cerca** (al alcance de la voz).
- Prestar atención a que no estén niños o otras personas en la zona de trabajo de la motosierra, ni tampoco animales (Fig. 8).
- **Antes de comenzar el trabajo, comprobar si la motosierra funciona correctamente y si su estado corresponde a las prescripciones de seguridad de servicio.**  
Comprobar especialmente el funcionamiento del freno de cadena, el montaje correcto de la guía de sierra, el reafilado y el tensar correctos de la cadena de sierra, el montaje firme del protector del piñón, la marcha fácil del acelerador y el funcionamiento del bloqueo del acelerador, si los mangos están limpios y secos, y el

- funcionamiento del interruptor arranque-parada.
- Sin excepción, la motosierra debe ponerse solamente en marcha una vez completado su montaje y su control. Por principio, la motosierra solamente se puede usar completamente montada.
- Antes de conectar la motosierra a la red, el operador debe ocupar una posición estable.
- Conectar la motosierra a la red sólo como descrito en las instrucciones de manejo (**Fig. 9**). Otros métodos de arrancar el motor no son admisibles.
- Al arrancar la motosierra sostenerla seguramente. La guía y la cadena no deben estar cerca de su cuerpo.
- **Durante el trabajo sostener la motosierra con ambas manos.** Poner la mano derecha al asidero trasero, la mano izquierda al empuñadura de puente. Empuñar firmemente los mangos con sus pulgares.
- **PRECAUCIÓN: Al soltar el acelerador la cadena continúa marchando aún poco tiempo** (piñón libre).
- Siempre prestar atención a una posición estable.
- Manejar la motosierra de manera que no se pueda aspirar el gas de escape. No trabajar en lugares cerrados (peligro de intoxicación).
- **Desconectar la motosierra inmediatamente de la red si cambia su comportamiento.**
- **Es necesario desconectar la motosierra de la red antes de comprobar la tensión de la cadena, retensarla, cambiarla o remediar averías (Fig. 10).**
- Desconectar la motosierra inmediatamente de la red si la sierra ha tenido contacto con piedras, clavos u otros objetos duros. Comprobar el estado de la motosierra. ¡Si la máquina ha sufrido violencias, por ejemplo por golpes o caídas, controlar el correcto funcionamiento de toda la motosierra!
- En las pausas de trabajo y antes de abandonarla, hay que desconectar la motosierra (**Fig. 10**) y depositarla de manera tal que nadie sea puesto en peligro.

● **Mantenimiento**

● **Tomar combustible**

● **Afilar la cadena de sierra**

● **Paro**

● **Transporte**

● **Puesta fuera de servicio**



**PRECAUCIÓN: No poner la motosierra calentada en hierba seca. El silenciador emite mucha calor (peligro de incendio).**

- **PRECAUCIÓN:** Después de parar la motosierra el aceite goteando de la cadena y del riel puede impurificar la tierra. Siempre usar una base apropiada.

### 3-6. Repulsiones (kickback)

- Al trabajar con la motosierra se pueden producir repulsiones peligrosas.
- Estas repulsiones son producidas si la parte superior de la punta del riel tiene contacto con madera u otros objetos duros sin quererlo (**Fig. 11**).
- Cuando esto sucede, la motosierra sufre una aceleración o lanzamiento descontrolado en dirección hacia la persona que la maneja (**¡peligro de lesiones!**) **Para evitar repulsiones prestar atención a las instrucciones siguientes:**
- Las tareas de penetración radial (penetración directa de la madera con la punta de la guía) solamente las deben realizar las personas especializadas para ello.
- Nunca aplique el extremo del riel cuando empiece a realizar un corte.
- Siempre observar la punta. Tener cuidado continuando un corte.
- ¡Comenzar a serrar marchando la cadena de sierra!
- Prestar atención a siempre reafilarse la cadena de sierra correctamente. ¡Prestar atención especial a la altitud correcta del tope de profundidad!

- ¡Nunca cortar varias ramas al mismo tiempo! Al descargar prestar atención a que ningún otra rama sea tocada.
- Al tronzar, prestar atención a troncos que estén junta al árbol a cortar.

### 3-7. Comportamiento/Método de trabajar

- Trabajar únicamente si las condiciones de visibilidad y luz son buenas. Prestar atención especial a superficies congeladas, humedad y nieve (peligro de deslizarse). El peligro de deslizarse es muy alto con madera descortezada hace poco (corteza).
- Nunca trabajar en un terreno inestable. Prestar atención a obstáculos en la zona de trabajo, peligro de tropezar. Siempre prestar atención a una posición estable.
- Nunca trabajar encima de altura de las espaldas (**Fig. 12**).
- Nunca serrar estando sobre una escalera (**Fig. 12**).
- Nunca trepar con su motosierra a árboles para trabajar.
- No trabaje demasiado inclinado hacia adelante.
- Conducir la motosierra de manera que ningún parte del cuerpo esté en el círculo de giro alargado de la motosierra (**Fig. 13**).
- Usar la motosierra únicamente para serrar madera.
- Prestar atención a que no se toque la tierra marchando la cadena.
- Nunca usar la motosierra para desbastar o apartar empujando piezas de madera u otros objetos.
- Quitar cuerpos extraños como por ejemplo arena, piedras, clavos, etc., de la zona de corte. Cuerpos extraños causan daños en la herramienta de corte y pueden provocar repulsiones peligrosas (kickback).
- Para serrar madera serradiza usar una base estable (burro, **Fig. 14**). La madera no debe sujetarse ni con el pie ni por intermedio de otra persona.
- Los rollos de madera deben asegurarse contra torsiones en el corte.
- **Para talar o tronzar, poner el listón dentado (Fig. 14, Z) en la madera a cortar.**
- Antes de tronzar poner el listón dentado firmemente en la madera, luego serrar con la cadena en marcha. Por eso levantar la motosierra en alto con el asidero trasero y conducirla con la empuñadura de puente. El listón dentado sirve como centro de giro. Apretar la empuñadura de puente ligeramente hacia abajo y simultáneamente tirar la motosierra un poco hacia atrás. Poner el listón un poco más abajo y levantar el asidero trasero otra vez en alto.
- **Cortes longitudinales y cortes que requieren insertar la punta de la herramienta de corte deben ser realizados por personas instruidas especialmente para estos trabajos** (alto peligro de repulsiones).
- Al empezar el corte la sierra puede desviarse lateralmente o saltar ligeramente. Eso depende de la madera y el estado de la cadena. **Por esto, sujetar siempre la motosierra con las dos manos.**
- Para efectuar **cortes longitudinales (Fig. 15)** poner la motosierra en un ángulo pequeño. Aquí debe procederse con especial cuidado, ya que no puede prender el listón dentado.
- Tirar la motosierra hacia afuera sólo con la cadena en marcha.
- Para realizar varios cortes, soltar el acelerador después de cada corte.
- Cortar madera de raja exige mucho cuidado. Piezas de madera cortadas pueden ser arrastradas (peligro de heridas).
- Al cortar con el lado superior de la guía de sierra es posible que la motosierra sea pulsada hacia el operador si la cadena de sierra atasca. Por eso es recomendable trabajar con el lado inferior de la guía de sierra. En este caso la motosierra es tirada hacia la madera (**Fig. 16**).
- Madera bajo tensión (**Fig. 17**) primero debe ser entrecortada al lado de presión (A). Entonces se puede

realizar el corte separador al lado de la tracción (B). Así se puede evitar que el riel atasque.

- Al terminar el corte la motosierra caerá por efecto de su propio peso. Controlarla estando preparado.

#### **PRECAUCIÓN:**

**¡Trabajos de desramar y de talar deben ser realizados por personas instruidas especialmente! ¡Peligro de heridas!**

- Al desramar se debe sostener la motosierra en el tronco. No serrar con la punta del riel de sierra (peligro de repulsiones).
- Prestar atención a ramas bajo tensión. No cortar ramas inclinadas de abajo.
- No realizar trabajos de desramar estando en pie sobre el tronco.
- **Antes de realizar trabajos de talar asegurar que**
  - a) en la zona de talar estén sólo las personas ocupadas con este trabajo,
  - b) cada trabajador pueda retroceder sin tener que pasar obstáculos (la zona para retroceder debe ser diagonal hacia atrás a un ángulo de 45°).
  - c) la parte inferior del tronco esté libre de objetos extraños, maleza y ramas. La posición del operador debe ser estable (peligro de tropezar).
  - d) no se trabaje en una distancia de 2 1/2 veces la longitud del árbol (**Fig. 18**). ¡Antes de talar es necesario comprobar la dirección de caída y asegurar que en una distancia de 2 1/2 veces la longitud del árbol (**Fig. 18**) no estén personas u objetos!  
(1) = Zona de caída

#### **Juicio del árbol:**

Dirección de inclinación - ramas separadas o secas - altura del árbol - partes colgantes - ¿el árbol está podrido?

- Tener en cuenta la dirección y la velocidad del viento. No realizar el trabajo con ventarrones fuertes.
- **Recortar el pie del tronco:**  
Comenzar con la parte más grande. Primero realizar el corte vertical, luego el corte horizontal.
- **Muescar el árbol (Fig. 19, A):**  
Se muesca el árbol para determinar la dirección de caída y guiarle. Muescar el árbol en ángulo recto a la dirección de caída, la muesca debe ser de 1/3 -1/5 el diámetro del tronco. Realizar el corte cerca del suelo.
- Corregir siempre toda la anchura del corte.
- **El corte de talar (Fig. 20, B)** debe estar encima del lado inferior de la muesca (D). Realizar el corte exactamente en línea horizontal. La distancia entre los dos cortes debe ser aprox. de 1/10 el diámetro del tronco.
- La **materia entre los dos cortes (C)** funciona como charnela. Nunca separarla porque el árbol caería sin control. ¡A tiempo insertar chavetas!
- Sólo usar chavetas de plástico o aluminio para asegurar el corte de talar. El empleo de chavetas de hierro está prohibido, ya que un contacto podría ocasionar daños de gravedad o un corte de la cadena.
- Detenerse sólo al lado del árbol a talar.
- Al retroceder después de haber realizado el corte de talar prestar atención a ramas que podrían caer al suelo.
- Al trabajar en un terreno pendiente el operador de la motosierra debe estar encima o al lado del tronco a talar o del árbol caído.
- Prestar atención a árboles que se aproximan.

### **3-8. Transporte y almacenamiento**



- **Si se transporta la motosierra o se cambia el lugar de trabajo es necesario desconectar la motosierra y soltar el freno de cadena para evitar que la motosierra arranque sin quererlo.**

- **¡Nunca transportar o llevar la motosierra marchando la cadena!**
- **No cubrir la motosierra cuando esté caliente (p.ej. con una lona, una manta, periódicos ...).**  
**Antes de colocar la motosierra en una caja de transporte o en un automóvil, dejar que se enfríe.**  
**¡Las motosierras con catalizador requieren un mayor tiempo de refrigeración!**
- Para transportar la motosierra por grandes distancias hay que aplicar el protector del riel.
- Llevar la motosierra siempre con la empuñadura de puente. El riel indica hacia atrás (**Fig. 21**). Evitar el contacto con el silenciador (peligro de quemaduras).
- Al transportar la motosierra en un automóvil posicionarla de manera que no puedan derramarse combustible o aceite.
- Almacenar la motosierra en un lugar seco. No almacenar la motosierra al aire libre. Mantener la motosierra fuera del alcance de los niños. Debe colocarse siempre el protector de la espada de la cadena.
- Para almacenar la motosierra mucho tiempo o para expedirla es necesario descargar completamente el depósito de combustible y el de aceite.

### **3-9. Mantenimiento**

- **¡Para realizar trabajos de mantenimiento desconectar la motosierra, desacoplar el capuchón de bujía (Fig. 22)!**
- Antes de comenzar el mantenimiento comprobar la seguridad funcional de la motosierra, especialmente el funcionamiento del freno de cadena. Prestar especial atención a que la cadena de sierra sea reafilada y tensada correctamente (**Fig. 23**).
- Siempre trabajar a un mínimo de ruido y un mínimo de emisión de sustancias dañinas. Prestar atención a un ajuste correcto del carburador.
- Regularmente limpiar la motosierra.
- Regularmente comprobar la hermeticidad de los tapones de los depósitos.

**Observar los reglamentos de prevención de accidentes de las asociaciones profesionales competentes y de las entidades aseguradoras. No realizar de ningún modo modificaciones constructivas en la motosierra. Vd. arriesga su propia seguridad.**

Realizar únicamente los trabajos de mantenimiento y reparación indicados en las instrucciones de manejo. Dejar realizar todos los otros trabajos por el servicio de MAKITA.



SERVICE

Usar sólo piezas de repuesto de origen MAKITA y accesorios admitidos.

Al aplicar piezas de repuesta no de origen MAKITA o accesorios, combinaciones de guías cadenas y longitudes no admitidos el peligro de accidentes es más alto. La responsabilidad no es válida en caso de accidentes o daños causados por dispositivos de sierra o accesorios no admitidos.

### 3-10. Los primeros auxilios



Para eventuales accidentes es necesario tener una farmacia portátil al lugar de trabajo. Completar la farmacia portátil inmediatamente después de haberla usado.

**En caso de pedir auxilio indicar las informaciones siguientes:**

- dónde ocurrió el accidente
- qué ocurrió
- cuantos heridos
- qué clase de lesiones
- ¡quién habla!

**NOTA:**

Si las personas que sufren de afecciones cardiovasculares se exponen con demasiada frecuencia a las vibraciones se puede producir un daño en los vasos sanguíneos o en el sistema nervioso. Las vibraciones pueden producir los siguientes síntomas en los dedos, las manos o las muñecas: entumecimiento de las partes del cuerpo, cosquilleo, dolor, dolor punzante, cambio de color de la piel o de la piel.

**Si se comprobaran estos síntomas, acudir a un médico.**

**Para reducir el riesgo de la enfermedad de Raynaud mantener calientes las manos, usar guantes y cadenas de sierra afiladas.**

## 4. Datos técnicos

	EA3200S	EA3201S EA3201SG	EA3202S	EA3203S EA3203SG
Cilindrada	32 cm <sup>3</sup>			
Calibre	38 mm			
Golpe	28,2 mm			
Máxima potencia de velocidad	1,35 kW / 10 000 r/min			
Máxima potencia de torsión	1,6 N • m / 7 000 r/min			
Ralentí / Máx. velocidad del motor en marcha con guía y cadena	2 800 r/min / 12 800 r/min			
Velocidad de acoplamiento	4 100 r/min			
Nivel pres. sonora (al lugar de trabajo) L <sub>pA, eq</sub> según ISO 22868 <sup>1) 3)</sup>	102,6 dB / K <sub>pA</sub> = 2,5			
Nivel pot. sonora L <sub>WA, FI+Fa</sub> según ISO 22868 <sup>1) 2) 3)</sup>	111,5 dB / K <sub>WA</sub> = 2,5			
Aceleración a <sub>hw, eq</sub> según ISO 22867 <sup>1) 3)</sup>				
- Empuñadura de puente	4,8 m/s <sup>2</sup> / K = 2,0			
- Empuñadura de sujeción posterior	4,8 m/s <sup>2</sup> / K = 2,0			
Carburador	Membrana			
Instalación de encendido	electrónica			
Bujía	NGK CMR6A			
o bujía	--			
Distancia entre electrodos	0,6 mm			
Consumo de combustible, máx. potencia según ISO 7293	0,68 kg/h			
Consumo específico, máx. potencia según ISO 7293	500 g/kWh			
Capacidad del depósito de combustible	400 cm <sup>3</sup>			
Capacidad del depósito aceite de cadena	280 cm <sup>3</sup>			
Relación de mezcla (combustible/aceite)				
- al emplear aceite de MAKITA	50 : 1			
- al emplear otros aceites	25 : 1 (calidad JASO FC o ISO EGD)			
Freno de cadena	activación manual o por repulsión (kickback)			
Velocidad de la cadena (a máxima velocidad)	24,4 m/s			
Paso del piñón	9,5 mm (3/8")			
Número de dientes	6 Z			
Pesos de motosierras (Depósito vacío, sin carril, cadena y accesorios)	4,1 kg	4,2 kg	4,0 kg	4,1 kg

<sup>1)</sup> Los datos consideran por partes iguales los regimenes marcha en vacío, plena carga y máxima velocidad.

<sup>2)</sup> Los datos toman en cuenta por partes iguales la velocidad en estado de carga completa y a máxima velocidad.

<sup>3)</sup> Incertidumbre (K=).

Los modelos EA3201SG y EA3203SG aceptan gasolina brasileña (E25).

### Ensamble de la cadena de la sierra y barra de guía

Tipo de cadena de la sierra	092 (91VG), 492 (91PX)			290 (90SG), 291 (90PX)		
Paso de la cadena	9.5 mm (3/8")					
Espesor del eslabón	mm (inch)	1,3 mm (0,050")			1,1 mm (0,043")	
Tipo barra de guía	Barra de la boquilla de la pieza dentada					
Barra de guía, longitud de un corte	mm (inch)	300 mm (12")	350 mm (14")	400 mm (16")	300 mm (12")	350 mm (14")
Número de engranes		46	52	56	46	52

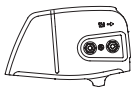
**⚠ ADVERTENCIA:** Use la combinación adecuada de barra de guía y cadena de la sierra. De lo contrario, esto puede que resulte en lesiones al usuario.



## 5. Denominación de los componentes (Fig. 24)

- |    |   |    |  |
|----|---|----|--|
| 1  | Agarre  | 14 | Placa de características                                 |
| 2  | Tapa  | 15 | Tirador de arranque                                      |
| 3  | Bloqueo de la cubierta (bajo la tapa de la cubierta)          | 16 | Interruptor combinado (Estárter / ON / Parada)           |
| 4  | Empuñadura de puente  | 17 | Acelerador   |
| 5  | Protector de mano (soltar para activar el freno de la cadena) | 18 | Pulsador de bloqueo (de seguridad)                       |
| 6  | Silenciador   | 19 | Protección de mano trasera                               |
| 7  | Regleta dentada (tope de garras)                              | 20 | Tapón del depósito de combustible                        |
| 8  | Tornillo de ajuste para el tensor de cadenas                  | 21 | Tornillos de ajuste del carburador                       |
| 9  | Tuercas de sujeción   | 22 | Cárter del ventilador con dispositivo de arranque        |
| 10 | Retenedor de la cadena  | 23 | Tapón del depósito de aceite                             |
| 11 | Protector del piñón   | 24 | Cadena de sierra (Herramienta de corte)                  |
| 12 | Tornillo de ajuste de la bomba de aceite (lado inferior)      | 25 | Guía de la sierra  |
| 13 | Bomba de alimentación de combustible (Primer)                 | 26 | Tensor rápido de la protección de la rueda dentada (TLC) |

## 6. PUESTA EN MARCHA



### 6a. Sólo para modelos con tuercas de sujeción y protección de la rueda dentada



#### PRECAUCIÓN:

Antes de efectuar trabajos en la guía y en la cadena, es necesario apagar el motor, quitar el capuchón de bujía (véase 7-6 "Cambiar la bujía") y use guantes protectores.



#### PRECAUCIÓN:

¡La motosierra solamente se debe poner en marcha una vez finalizado el armado y el control de la misma!

### 6a-1. Montaje de la guía y de la cadena de sierra



#### (Fig. 25)

Usar la llave de bujía suministrada para los trabajos siguientes. Poner la motosierra sobre una superficie estable y realizar los trabajos siguientes para el montaje de la cadena y del riel de sierra:

Soltar el freno de la cadena tirando de la protección de manos (1) en la dirección de la flecha.

Desenroscar las tuercas de sujeción (2).

Retirar el protector del piñón (3).

#### (Fig. 26)

Girar el tornillo de reglaje para tensor de cadena (4) hacia la izquierda (en sentido antihorario) hasta que esté situado el pivote (5) del tensor de cadena debajo del bulón (6).

#### (Fig. 27)

Colocar el carril de Sierra (7). Preste atención de que el pivote (5) del tensor de cadena entre en los agujeros del carril de la sierra.

#### (Fig. 28)

Coloque la cadena de sierra (9) sobre la rueda dentada para la cadena (8).

Introduzca la sierra de cadena en la parte superior hasta aprox. la mitad de la ranura guía (10) del carril de Sierra.

#### PRECAUCIÓN:

En la parte superior de la guía, los fillos de la cadena de la sierra deben estar orientados en la dirección de la flecha!

#### (Fig. 29)

Guíe la cadena de sierra (9) alrededor de la estrella guía (11) de la guía de sierra, tirando ligeramente de la cadena en el sentido que indica la flecha.

#### (Fig. 30)

Vuelva a colocar la cubierta protectora del piñón (3).



#### ATENCIÓN:

La cadena de la sierra debe levantarse por encima del retenedor (12).

Apriete las tuercas de sujeción (2) de momento sólo con la mano.

### 6a-2. Tensión de la cadena de sierra

#### (Fig. 31)

Girar el tornillo de reglaje (4) hacia la derecha (en sentido de las agujas del reloj), hasta que la cadena entre en la ranura guía del lado inferior del carril (véase el círculo).

Levante ligeramente las puntas de la espada del carril de sierra y gire el tornillo de reglaje (4) hacia la derecha (en sentido de las agujas del reloj), hasta que la sierra de cadena se asiente de nuevo en el lado inferior del carril de la parte posterior (véase el círculo).

Levante la punta de la guía y ajuste firmemente las tuercas de sujeción (2) con la llave combinada.

### 6a-3. Control de la tensión de la cadena



#### (Fig. 32)

La tensión de la cadena es correcta si la cadena tiene contacto con el lado inferior de la guía de sierra y puede moverse manualmente sin gran fuerza.

Para controlar la tensión suelte el freno de cadena.

¡Revise frecuentemente la tensión de la cadena, ya que las cadenas nuevas se alargan!

Por eso compruebe la tensión de la cadena frecuentemente con el motor apagado.

#### NOTA:

Use siempre 2-3 cadenas de sierra de manera alternativa.

Para lograr un desgaste uniforme de la guía de sierra dele vuelta cada vez que se cambia la cadena de sierra.

## 6b. Sólo para guías QuickSet



#### PRECAUCIÓN:

**Antes de efectuar trabajos en la guía y en la cadena, es necesario apagar el motor, quitar el capuchón de bujía (véase 7-6 “Cambiar la bujía”) y use guantes protectores.**



#### PRECAUCIÓN:

**¡La motosierra solamente se debe poner en marcha una vez finalizado el armado y el control de la misma!**

En las guías “QuickSet” la cadena se tensa por medio de un sistema de cremallera en las propias guías. Esto simplifica el reajuste de la tensión de la cadena. Esta versión ya no cuenta con el tensor de cadena convencional. Las guías “QuickSet” se reconocen por el siguiente símbolo:



### 6b-1. Montaje de la guía y de la cadena de sierra



#### (Fig. 34)

Use la llave de bujía suministrada para los trabajos siguientes. Coloque la motosierra sobre una superficie estable y realice los trabajos siguientes para el montaje de la cadena y del riel de sierra:

Suelte el freno de la cadena tirando de la protección de manos (1) en la dirección de la flecha.

Desenrosque las tuercas de sujeción (2).

Extraiga el protector del piñón (3).

#### (Fig. 35)

Coloque la guía de la cadena (4) y presiónela contra el piñón (5).

#### (Fig. 36)

Coloque la cadena de sierra (6) sobre la rueda dentada para la cadena (5).

Introduzca la sierra de cadena en la parte superior hasta aprox. la mitad de la ranura guía (7) del carril de sierra.

### 6a-4. Retención de la cadena de sierra

#### (Fig. 33)

**Soltar las tuercas de sujeción (2) con la llave fija una vuelta aprox.** Levantar ligeramente las puntas de la espada del carril de sierra y girar el tornillo de reglaje (4) hacia la derecha (en sentido horario), hasta que la sierra de cadena asiente de nuevo en el lado inferior del carril de la espada (véase el círculo).

Continuar levantando la punta del carril de espada y apretar la tuerca de sujeción (2) de nuevo con la llave fija.

#### PRECAUCIÓN:

En la parte superior de la guía, los filos de la cadena de la sierra deben estar orientados en la dirección de la flecha!

#### (Fig. 37)

Guíe la cadena de sierra (6) alrededor de la estrella guía (8) de la guía de sierra, tirando ligeramente de la cadena en el sentido que indica la flecha.

#### (Fig. 38)

Instale la cubierta protectora del piñón (3).



#### ATENCIÓN:

**La cadena de la sierra debe levantarse por encima del retenedor (9).**

Apriete las tuercas de sujeción (2) de momento sólo con la mano.

### 6b-2. Tensión de la cadena de sierra

#### (Fig. 39)

Gire el dispositivo tensor de la cadena “QuickSet” (10) hacia la derecha (en el sentido del reloj) con una llave combinada hasta que el brazo guía de la cadena se enganche en la tuerca guía en la parte inferior de la guía (si es necesario, atravesese la cadena ligeramente).

Levante la punta de la guía ligeramente y siga girando el dispositivo tensor de la cadena (10) hasta que ésta se encuentre en la parte inferior de la guía (véase el círculo).

Levante la punta de la guía y ajuste firmemente las tuercas de sujeción (2) con la llave combinada.

**INDICACIÓN:** Si se invierte la guía de la cadena, para tensar la cadena el dispositivo tensor se deberá girar hacia la izquierda (también en sentido contrario a las agujas del reloj).

### 6b-3. Control de la tensión de la cadena



#### (Fig. 40)

La tensión de la cadena es correcta si la cadena tiene contacto con el lado inferior de la guía de sierra y se puede moverla manualmente sin gran fuerza.

Para controlar la tensión soltar el freno de cadena.

¡Revise frecuentemente la tensión de la cadena, ya que las

cadenas nuevas se alargan!  
Por eso compruebe la tensión de la cadena frecuentemente con el motor apagado.

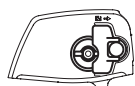
**NOTA:** Use siempre 2-3 cadenas de manera alternativa.  
Para lograr un desgaste uniforme de la guía de sierra, cada vez que cambie la cadena dele una vuelta.

## 6b-4. Retención de la cadena de sierra

### (Fig. 39)

**Afloje las tuercas de sujeción (2) aproximadamente una vuelta con la llave combinada.** Levante la punta de la guía ligeramente y gire el dispositivo tensor de la cadena "QuickSet" (10) hasta que ésta se encuentre en la parte inferior de la guía (véase el círculo).

Levante la punta de la guía y ajuste firmemente las tuercas de sujeción (2) con la llave combinada.



## 6c. Sólo para modelos con tensor rápido y protección de la rueda dentada (TLC)



**PRECAUCIÓN:**  
Antes de efectuar trabajos en la guía y en la cadena, es necesario apagar el motor, quitar el capuchón de bujía (véase 7-6 "Cambiar la bujía") y use guantes protectores.

**PRECAUCIÓN:**  
¡La motosierra solamente se debe poner en marcha una vez finalizado el armado y el control de la misma!

### 6c-1. Montaje de la guía y de la cadena de sierra



#### (Fig. 41)

Coloque la motosierra sobre una superficie estable y acate los siguientes pasos para armar la cadena y la guía de la sierra: Suelte el freno de la cadena tirando de la protección de manos (1) en la dirección de la flecha.

Pliegue hacia arriba el tensor rápido de la protección de la rueda dentada (2) (véase también la figura "Tensor la cadena de la sierra").

Apriete con fuerza el tensor rápido de la protección de la rueda dentada contra la tensión del muelle y gire lentamente en sentido contrario a las agujas del reloj hasta que se enganche bien. Siga apretando y gire al máximo hacia la izquierda.

Suelte (descargue) el tensor rápido de la protección de la rueda dentada y colóquelo en la posición de salida girándolo en el **sentido de las agujas del reloj** y repita el proceso hasta que la protección de la rueda dentada (4) esté desenroscada.

Quite la protección de la rueda dentada (4).

#### (Fig. 42)

Coloque la guía de la cadena (5) y presiónela contra el piñón (6).

#### (Fig. 43)

Coloque la cadena de sierra (8) sobre la rueda dentada para la cadena (7).

Introduzca la sierra de cadena en la parte superior hasta aprox. la mitad de la ranura guía (9) del carril de sierra.

#### **PRECAUCIÓN:**

En la parte superior de la guía, los filos de la cadena de la sierra deben estar orientados en dirección a la flecha!

#### (Fig. 44)

Guíe la cadena de sierra (8) alrededor de la estrella guía (10) de la guía de sierra, tirando ligeramente de la cadena de la sierra en el sentido que indica la flecha.

#### (Fig. 45)

Ajuste en la protección de la rueda dentada (4) el taladro de alojamiento respecto del perno fijo (11).

Girando el tensor de la cadena (3, véase 6c-2 "Tensor la cadena de sierra") haga coincidir el perno tensor de la cadena (12) con el orificio de la guía.

Coloque la protección de la rueda dentada (4) sobre los pernos fijos (11).

### 6c-2. Tensión de la cadena de sierra

#### (Fig. 46)

Presionando y girando al mismo tiempo, atornille el tensor rápido de la protección de la rueda dentada (2, en el sentido de las agujas del reloj) sin apretarlo.

Levante la punta de la guía ligeramente y gire el tensor de la cadena (3) hasta que la cadena se enganche en la tuerca guía del lado inferior de esta última guía (véase el círculo).

Vuelva a presionar el tensor rápido de la protección de la rueda dentada (2) y apriételo en el sentido de las agujas del reloj.

#### (Fig. 47)

Afloje (descargue) el tensor rápido de la protección de la rueda dentada hasta que gire libremente y engánchelo entre los nervios de protección (15) tal como muestra la ilustración.

### 6c-3. Control de la tensión de la cadena



#### (Fig. 48)

La tensión de la cadena es correcta si ésta tiene contacto con el lado inferior de la guía de sierra y es posible moverla manualmente sin gran fuerza.

Para controlar la tensión suelte el freno de cadena.

¡Controle con frecuencia la tensión de la cadena, ya que las cadenas nuevas se alargan!

Por eso compruebe la tensión de la cadena frecuentemente con el motor apagado.

**NOTA:** Use siempre 2-3 cadenas de sierra de manera alternativa.

Para lograr un desgaste uniforme de la guía de sierra dele vuelta cada vez que se cambia la cadena de sierra.

## 6c-4. Retensión de la cadena de sierra

### (Fig. 49)

Para reajustar la tensión de la cadena sólo se ha de aflojar ligeramente el tensor rápido (2), véase “Montaje de la guía y de la cadena de sierra”.

Para tensar la cadena, proceder en la forma explicada anteriormente.

## Para todos los modelos

### 6-5. Freno de cadena



Los modelos EA3200S, EA3201S, EA3202S, EA3203S, EA3201SG, EA3203SG MAKITA vienen equipados en serie con un freno de rebote que se activa por aceleración. Si se produjera una repulsión (kickback) a causa del contacto de la punta de la guía con la pieza a cortar (véase “RECOMENDACIONES DE SEGURIDAD” 3-6 “Repulsiones (kickback)” y la Fig. 11), el freno de la cadena se activará por inercia de masas si la fuerza de repulsión es suficiente. La cadena se detiene en una fracción de segundo. **El freno de cadena sirve para bloquear la cadena de sierra en caso de emergencia y antes de arrancar la motosierra.**

**ATENCIÓN: ¡En ningún caso** (excepto en caso de pruebas, véase el capítulo 6-13 “Control del freno de la cadena”) **arranque la motosierra con el freno de cadena bloqueado, pues se pueden producir graves daños en la motosierra en un corto plazo!**

**¡Antes de comenzar a trabajar es imprescindible desbloquear el freno de cadena!**



### (Fig. 50)

#### Activación del freno de la cadena (bloqueado)



Si la repulsión es suficientemente fuerte, la rápida aceleración de la guía de la sierra y la inercia de masas de la protección de manos (1) activarán **automáticamente** el freno de la cadena.

Para poner en función el freno **manualmente** apriete el protector de mano (1) con la mano izquierda en la dirección de la punta del riel (flecha 1).

#### Soltar el freno de cadena



Tire el protector de mano (1) en la dirección del agarre tubular (flecha 2), hasta que enclave. El freno de cadena se suelta.

## 6-6. Combustibles



### PRECAUCIÓN:

**El equipo funciona con productos de petróleo** (gasolina y aceite).

**Tenga cuidado cuando manipule gasolina.**

**Se prohíbe fumar. Mantenga las herramientas lejos de cualquier fuego abierto** (peligro de explosión).

### Mezcla de combustible

El motor de este aparato es un motor de dos tiempos de alto rendimiento refrigerado por aire. Se acciona mediante una mezcla de combustible y aceite para motores de dos tiempos. El motor está diseñado para gasolina normal libre de plomo con un número de octano mínimo de 91 ROZ. Si la gasolina de este tipo no está disponible, se puede usar gasolina con un número de octano más alto. Estas gasolinas no causan daños al motor. Los modelos EA3201SG y EA3203SG aceptan gasolina brasileña (E25).

**Use siempre gasolina libre de plomo para lograr un funcionamiento óptimo del motor y proteger su salud y el ambiente.**

Para lubricar el motor se mezcla aceite sintético de motor de dos tiempos para motores refrigerados por aire (calidad JASO FC o ISO EGD), el cual debe añadirse al combustible. El motor está diseñado para el uso de aceite para motores de dos tiempos de alto rendimiento de MAKITA con una relación de mezcla de 50:1, que protege el ambiente. Esta mezcla garantiza una duración larga y un funcionamiento seguro del motor con una emisión baja de humos. Se puede comprar aceite para motores de dos tiempos de alto rendimiento de MAKITA en los tamaños de embalaje siguientes, dependiendo de su consumo:

1 l número de pedido 980 008 607

100 ml número de pedido 980 008 606

Si no estuviera disponible el aceite para motores de dos tiempos de MAKITA, debe conservarse sin falta la relación de mezcla de 25:1, ya que de lo contrario no es posible garantizar el perfecto funcionamiento.



**Atención: No utilice mezclas listas para usar de las estaciones de servicio!**

### La relación de mezcla correcta:

**50:1** cuando se utiliza aceite para motores de dos tiempos de alto rendimiento de MAKITA, es decir se mezclan 50 partes de combustible con 1 parte de aceite.

**25:1** cuando se utilizan otros aceites sintéticos para motores de dos tiempos (calidad JASO FC o ISO EGD), es decir se mezclan 25 partes de combustible con una parte de aceite.

Combustible	50:1	25:1
1 000 cm <sup>3</sup> (1 litro)	20 cm <sup>3</sup>	40 cm <sup>3</sup>
5 000 cm <sup>3</sup> (5 litros)	100 cm <sup>3</sup>	200 cm <sup>3</sup>
10 000 cm <sup>3</sup> (10 litros)	200 cm <sup>3</sup>	400 cm <sup>3</sup>

**NOTA:** Para preparar la mezcla de combustible y aceite, primero mezcle todo el aceite con la mitad del combustible requerido y luego añada el combustible restante. Antes de verter la mezcla en el depósito, agítela a fondo.

**Para garantizar una operación segura, no es recomendable agregar más aceite del indicado.**

**Genera más residuos de combustión que son dañinos para el ambiente y atascan el canal de salida de humos en el cilindro al igual que el silenciador. Además causan un aumento del consumo de combustible y simultáneamente una reducción de la potencia.**

### Almacenamiento de combustible

Los combustibles sólo se pueden guardar en forma restringida. El combustible y las mezclas de combustible envejecen debido a la evaporación, especialmente a raíz de la influencia de las temperaturas elevadas. La combinación de combustibles y mezclas puede provocar problemas de arranque y dañar el motor. Compre sólo la cantidad de carburante necesario para el consumo en un período de varios meses. Cuando trabaje bajo temperaturas elevadas, consuma el combustible en 6-8 semanas.

**Almacene el combustible únicamente en recipientes permitidos y guárdelo en un lugar seguro**

### EVITE EL CONTACTO CON OJOS Y PIEL

Los productos de aceite mineral, y aceites, resecan la piel. Si la piel tiene contacto con estas sustancias de manera repetida y por un período extendido, la piel se secará. Pueden generarse diversas enfermedades de la piel. Además, pueden producirse reacciones alérgicas.

El contacto del aceite con los ojos provoca afecciones. En este caso enjuague inmediatamente los ojos con agua limpia. ¡En caso de una afección continua, acuda de inmediato a un médico!

## 6-7. Aceite para cadenas



Para lubricar la cadena y el riel de sierra use aceite con un aditivo adhesivo. El aditivo adhesivo en el aceite evita que el aceite se centrifuge demasiado rápido en la motosierra.

Para proteger el ambiente recomendamos usar aceite biodegradable. En algunas regiones las autoridades competentes han prescrito el uso de aceite biodegradable.

El aceite para cadenas BIOTOP que ofrece MAKITA se produce a partir de aceites vegetales especiales; biodegradables en un 100%. BIOTOP ha sido distinguido con la calificación de "angel azul" (Blauer Umwelt-Engel) pues protege el medioambiente (RAL UZ 48).



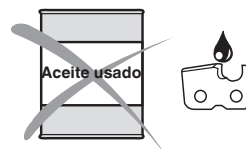
El aceite para cadenas BIOTOP se comercializa en los siguientes tamaños de envases:

1 l	Número de Orden	980 008 610
5 l	Número de Orden	980 008 611

El aceite para cadenas biodegradable tiene una conservabilidad limitada y se debe consumir en un plazo de dos años desde la fecha de fabricación impresa.

### Advertencia importante sobre aceites biodegradables para cadenas de sierras

Antes de un cese de funcionamiento más prolongado, el tanque de aceite debe vaciarse y llenarse a continuación con un poco de aceite para motores (SAE 30). Acto seguido, se pondrá en marcha durante algún tiempo la sierra para expulsar todos los restos de aceite biodegradable del tanque, del sistema de conducción de aceite y del dispositivo de aserrado. Esta medida es necesaria, ya que diferentes aceites biodegradables tienden a aglutinarse, pudiendo causar con esto daños en la bomba de aceite o en piezas conductoras de aceite. Antes de una nueva puesta en marcha, vuelva a incorporar aceite BIOTOP para cadenas de sierras. En caso de daños causados por el uso de aceite: usado o un aceite no apropiado para cadenas de sierra la garantía no es válida. Su comerciante especializado le informará sobre el uso de aceite para cadenas.



### ¡NUNCA USAR ACEITE USADO!

¡El aceite usado es de gran perjuicio para el ambiente! Los aceites usados contienen grandes cantidades de sustancias cancerígenas. Los residuos en el aceite usado causan un desgaste alto en la bomba de aceite y el dispositivo de sierra.

En caso de daños causados por el uso de aceite usado o un aceite no apropiado para cadenas de sierra la garantía no es válida.

Su comerciante especializado le informa sobre el uso de aceite para cadenas.

### ¡EVITAR EL CONTACTO CON OJOS Y PIEL!



Los productos de aceite mineral, y aceites, resecan la piel. Si la piel entra en contacto con estas sustancias de manera repetida y por un período prolongado, la piel se reseca. Además, pueden producirse reacciones alérgicas.

El contacto del aceite con los ojos causa afecciones. En este caso enjuague inmediatamente los ojos con agua limpia. ¡En caso de una afección continua, acuda de inmediato a un médico!



## 6-8. Recarga de combustible y aceite para la cadena



**¡PRESTE ATENCIÓN A LAS RECOMENDACIONES DE SEGURIDAD!**

Los combustibles requieren un manejo cuidadoso y prudente.

¡El motor debe estar apagado!

Limpie cuidadosamente las inmediaciones de los sectores de llenado para que no penetre ninguna impureza en el depósito de mezcla de combustible o de aceite.

### (Fig. 51)

Desenrosque la tapa del depósito (aflojela si es necesario con la llave fija, véase figura) y reponga la mezcla de combustible o bien aceite para la cadena hasta la marca inferior de la boquilla de llenado. Vuelva a colocar con precaución para no verter ninguna mezcla de combustible o aceite de cadena.



Aceite para cadenas



Mezcla de combustible

Enrosque la tapa del tanque **manualmente hasta el tope**.  
**¡Limpie la tapa del depósito y los alrededores después de rellenarlo!**

### Lubricar la cadena de sierra



Para asegurar la lubricación suficiente de la cadena de la sierra, siempre debe haber bastante aceite para cadenas en el depósito. Con un caudal medio, el contenido del depósito dura una carga de combustible. Controle durante esta tarea si hay suficiente aceite de cadena en el depósito, en su caso reponer. **¡Sólo con el motor apagado! Apriete a mano el tapón del depósito de combustible hasta el tope.**

### PRECAUCIÓN:

Tenga cuidado de no dejar que la tapa del depósito haga contacto con el silenciador. Puede que el silenciador caliente se la deforme.

## 6-9. Control del engrase de la cadena



Nunca corte sin un engrase de cadena suficiente. De lo contrario, se reducirá la duración del depósito de sierra. Antes de comenzar a trabajar, revise el nivel de aceite en el depósito y también el caudal.

Revise el caudal de aceite de la manera que se describe a continuación:

Arranque la motosierra. (véase capítulo 6-11 "Arrancar el motor").

### (Fig. 52)

Sostenga la motosierra aproximadamente 15 cm por encima de un tronco o el suelo (use una base apropiada).

Si el engrase es suficiente, se puede ver una línea de aceite por debajo de la motosierra. Ponga atención a la dirección del viento y no se exponga a las salpicaduras de lubricante más de lo necesario.



### Advertencia:

Una vez detenida la marcha del equipo es normal que durante algún tiempo puedan producirse pequeñas fugas del aceite de cadena que aún se encuentra en el sistema de conducción de aceite, en la guía y en la cadena. No se trata de ningún defecto. **Utilice una base de recolección adecuada.**

## 6-10. Ajuste del engrase de la cadena



El motor debe estar apagado.

### (Fig. 53)

La cantidad de suministro de aceite puede regularse con el tornillo de regulación (1). El tornillo de regulación se encuentra en el lado inferior del cárter.

La bomba de aceite está ajustada a un caudal mínimo de fábrica. Hay disponibles dos ajustes de caudal: mínimo y máximo.

Para variar la cantidad de suministro, deberá girar con un destornillador pequeño el tornillo de reglaje:

- Giro a la derecha para aumentar
- Giro a la izquierda para disminuir

Dependiendo de la longitud de la espada de carril, seleccione uno de los dos posibles ajustes.

Revise mientras trabaja si hay suficiente aceite para la cadena en el tanque; rellene en caso necesario.

### (Fig. 54)

Para poder garantizar el funcionamiento correcto de la bomba de aceite es necesario limpiar con regularidad la ranura-guía de aceite en el cárter del cigüeñal (2) así como los orificios de entrada de aceite en el riel de sierra (3).

### Advertencia:

Una vez detenida la marcha del equipo es normal que durante algún tiempo puedan producirse pequeñas fugas del aceite de cadena que aún se encuentra en el sistema de conducción de aceite, en la guía y en la cadena. No se trata de ningún defecto. Utilice una base de recolección adecuada.

## 6-11. Arranque del motor



**¡La motosierra solamente se debe poner en marcha una vez finalizado el montaje y el control de la misma!**

### (Fig. 55)

Aléjese al menos 3 m del lugar de carga de combustible. Adopte una posición estable y coloque la motosierra sobre el suelo de modo que el dispositivo de sierra no la toque. Active el freno de cadena (bloqueo). Sostenga la empuñadura de puente con una mano y presione la motosierra contra el suelo. Coloque la punta del pie derecho en la protección de manos trasera. Indicación: El sistema de arranque suave de resorte permite arrancar la motosierra sin gastar energía en exceso. Arranque la motosierra de modo rápido y uniforme.

### (Fig. 56)

#### Interruptor combinado



— Arranque en frío (Estárter)

— Arranque en caliente (ON)

— Parar el motor

— Posición de seguridad (corriente de encendido interrumpida, necesario para realizar trabajos de mantenimiento y montaje)

#### Arranque en frío:

Active la bomba de combustible (5) presionando varias veces, hasta que se vea combustible en la bomba. Pulse el interruptor combinado (1) hacia arriba (posición estárter). Con esta maniobra se acciona simultáneamente el bloqueo de la semiaceleración. Jále del tirador de arranque (2) rápida y uniformemente.

**Atención:** No jale el cable por más de aproximadamente 50 cm y sólo retrocederlo manual y lentamente.

Repita el proceso de arranque 2 veces.

Pulse el interruptor combinado (1) a la posición central "ON". Vuelva a jalar del tirador de arranque de manera rápida y uniforme. En cuanto el motor haya arrancado, asir la empuñadura (la tecla de bloqueo de seguridad (3) es accionada mediante la palma de la mano) y accionar levemente el acelerador (4). La detención de medio gas es liberada y el motor se encuentra en marcha en vacío.

**Atención:** Coloque el motor en vacío inmediatamente después de arrancarlo; en otro caso daños pueden ocurrir en el freno de cadena.

Ahora suelte el freno de cadena.




#### Arranque en caliente:

Tal como se describe en el arranque en frío, pulse el interruptor combinado (1) hacia arriba (Posición estárter) y a continuación de nuevo a la posición "ON" con el fin de activar sólo el bloqueo de la semiaceleración. Si después de tirarle 2 o 3 veces a la cuerda el motor no ha arrancado, repita el proceso de arranque tal como se describe en el apartado de arranque en frío.


**INDICACIÓN:** Si el motor se apaga durante poco tiempo, puede arrancarse sin accionar el interruptor combinado.

**Indicación importante:** En el caso de que el tanque de combustible se hubiese vaciado completamente y el motor se haya parado por falta de combustible, después de recargar, accionar la bomba de combustible (5) presionando varias veces, hasta que pueda verse el combustible en el interior de la bomba.

## 6-12. Parada del motor

Presione el interruptor combinado (1) a la posición  hacia abajo.

**INDICACIÓN:** Después de pulsarlo, el interruptor combinado regresa a la posición "ON". El motor está apagado, pero puede ponerse en marcha sin necesidad de volver a accionar el interruptor combinado.

**ATENCIÓN:** Para interrumpir la corriente de encendido, presionar el interruptor combinado completamente hacia la posición  superando la resistencia.

## 6-13. Control del freno de la cadena



**Antes de iniciar el trabajo debe controlarse, sin excepción, el freno de la cadena.**

Arranque el motor según se describe (adopte una posición firme y coloque la motosierra sobre el suelo, de tal modo que el dispositivo de aserrado quede libre).

### (Fig. 57)

Sujete firmemente la empuñadura de puente con una mano, y con la otra mano afirme el agarre. Deje que el motor funcione a una velocidad media y presione

con el dorso de la mano la protección de manos (6) en la dirección de la flecha hasta que quede bloqueado el freno de la cadena. La cadena de la sierra debe detenerse inmediatamente.

Lleve inmediatamente el motor a la posición de marcha en vacío y vuelva a soltar el freno de la cadena.

**Atención:** Si la cadena no se detiene inmediatamente durante esta prueba, apague el motor de inmediato. No utilice la sierra para cortar. Póngase en contacto con un taller especializado de MAKITA.

## 6-14. Ajuste del carburador

### (Fig. 58)

**ATENCIÓN:** ¡El ajuste del carburador solo puede ser realizado por un taller oficial MAKITA!



### SERVICIO

El usuario del aparato solo puede realizar las correcciones del tornillo de ajuste (S). ¡Si la herramienta de corte gira en vacío (no se acciona la palanca de gases), deberá ajustarse inmediatamente la marcha en vacío! ¡El ajuste de la marcha en vacío no puede realizarse hasta después de montar y comprobar el aparato completamente!

Debe realizarse con el motor caliente, un filtro de aire limpio y la herramienta de corte montada correctamente. Realice el ajuste con un destornillador (ancho de hoja 4 mm).

### Ajustar la marcha en vacío

**Desenrosque el tornillo de ajuste (S)** en sentido contrario a las agujas del reloj: la marcha en vacío disminuye.

**Enrosque el tornillo de ajuste (S)** en el sentido de las agujas del reloj: la marcha en vacío aumenta.

**Atención:** Si la herramienta de corte no se detiene incluso después de corregir la marcha en vacío, no utilizar el aparato bajo ningún concepto. ¡Llevarlo a un taller oficial MAKITA!

## 7. MANTENIMIENTO

### 7-1. Afilar la cadena de sierra



**PRECAUCIÓN:** ¡Antes de efectuar trabajos en la guía y en la cadena, es necesario apagar el motor, quitar el capuchón de bujía (véase 7-6 “Cambiar la bujía”) y use guantes protectores!

### (Fig. 59)

#### La cadena de la sierra debe afilarse cuando:

se produce aserrín similar a polvo de madera al cortar madera húmeda.

la cadena penetra la madera sólo con gran fuerza.

se pueden ver daños en el canto cortado.

cuando la motosierra tira hacia la izquierda o hacia la derecha al realizar el corte. En este caso se ha reafilado la cadena de modo no uniforme.

**¡Importante: afile con frecuencia pero sin remover mucho metal!**

En la mayoría de los casos basta limar 2-3 veces.

Después de haberla afilado varias veces, llévela a afilar a un taller especializado.

#### Afilado correcto:

**ATENCIÓN:** Utilice exclusivamente las cadenas y las guías aprobadas para esta sierra (véase 10 “Extracto de la lista de piezas de repuesto”).

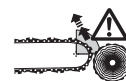
### (Fig. 60)

Todos los dientes de cepillo deben tener la misma longitud (dimensión a). ¡Si los dientes tienen longitudes diferentes, causan una marcha irregular y una ruptura de la cadena! Longitud mínima de los dientes de sierra: 3 mm. No vuelva a afilar la cadena de la sierra cuando se haya alcanzado la longitud mínima de la muela de sierra. (Véase 10 “Extracto de la lista de repuestos” y el capítulo 7-4 “Nueva cadena de sierra”).

La distancia entre el tope de profundidad y el filo determina el espesor de la viruta.

Los mejores cortes se logran con una distancia del tope de profundidad de 0,64 mm (,025”).

**ATENCIÓN:** ¡Una distancia demasiado grande aumenta el peligro de rebotes!



### (Fig. 61)

El ángulo de afilado ( $\alpha$ ) en todos los dientes de talón ha de ser el mismo.

**30°** con tipo de cadenas 092 (91VG), 492 (91PX), 290 (90SG), 291 (90PX)

El ángulo frontal del diente de talón ( $\beta$ ) resulta por sí sólo al usar una lima redonda.

**80°** con tipo de cadenas 092 (91VG), 492 (91PX)

**75°** con tipo de cadena 290 (90SG), 291 (90PX)

¡Los ángulos diferentes causan una marcha irregular de la cadena, aceleran el desgaste y provocan rupturas de la cadena!

#### Limar y guiar la lima

Para el afilado se usa una lima redonda especial para cadenas. Las limas redondas normales no son apropiadas. Véase 10 “Extracto de la lista de piezas de repuesto”.

**Tipo 092 (91VG), 492 (91PX):** Lima circular para sierra de cadena  $\varnothing$  4,0 mm.

**Tipo 290 (90SG), 291 (90PX):** Lima circular para sierra de cadena  $\varnothing$  4,5 mm.

### (Fig. 62)

La lima debe cortar sólo cuando se empuja hacia adelante (flecha). Al empujar hacia atrás levántela de la cadena. Primero afile el diente de cepillo más pequeño. La longitud de este diente es la medida teórica para todos los otros dientes de la cadena de sierra.

Los dientes que se vuelven a colocar deben adaptarse con

precisión a la forma de los dientes usados, también en las superficies de deslizamiento.  
Guíe la lima según el tipo de cadena (a 90° o a 10° del riel de sierra).

### (Fig. 63)

El portalimas facilita el manejo de la lima; tiene marcado el ángulo de afilado correcto:

$$\alpha = 30^\circ$$

(oriente las marcas paralelas a la cadena de la sierra) y limita la profundidad de hundimiento (4/5 del diámetro de la lima).

### (Fig. 64)

Después de afilar, compruebe la altura del tope de profundidad con el calibrador de cadena. Véase 10 "Extracto de la lista de piezas de repuesto".

Corrija también los sobrantes mínimos con la lima plana especial (1). Véase 10 "Extracto de la lista de piezas de repuesto".

Redondee el tope de profundidad (2).

## 7-2. Limpiar el interior de la rueda dentada



**PRECAUCIÓN:** ¡Antes de efectuar trabajos en la guía y en la cadena, es necesario apagar el motor, quitar el capuchón de bujía (véase 7-6 "Cambiar la bujía") y usar guantes protectores!

**PRECAUCIÓN:** ¡La motosierra solamente se debe poner en marcha una vez finalizado el armado y el control de la misma!

### (Fig. 65)

Extraiga la protección de la rueda dentada (1) (véase el capítulo 6 "PUESTA EN MARCHA" de la versión correspondiente) y limpie el interior con una brocha. Saque la cadena de la sierra (2) y la guía de la sierra (3).

#### INDICACIÓN:

Asegúrese de que no haya residuos en la ranura de la guía de aceite (4) y en el tensor de cadenas (5).

Para obtener información acerca del montaje de la guía de la sierra, la cadena y la protección de la rueda dentada, véase el capítulo 6 "PUESTA EN MARCHA" de la versión correspondiente.

#### NOTA:

El freno de cadena es un dispositivo de seguridad muy importante y como todo componente está sujeto a desgaste.

La revisión y el mantenimiento regulares sirven para su propia seguridad y deben ser efectuados por un taller especializado de MAKITA.



SERVICIO

## 7-3. Limpiar la guía de sierra

**ATENCIÓN: ¡USE GUANTES PROTECTORES!**

### (Fig. 66)

Los rieles de la guía (7) deben examinarse periódicamente en busca de fallas y deben limpiarse con una herramienta adecuada.

¡Mantenga limpios los dos orificios de llenado de aceite (6) y toda la guía de la sierra!

## 7-4. Nueva cadena de sierra



**ATENCIÓN: ¡Utilice exclusivamente las cadenas y las guías admitidas para esta sierra!**

### (Fig. 67)

Antes de montar una cadena de sierra nueva es necesario controlar el estado del piñón.

Los piñones desgastados (8) causan daños en la cadena de sierra nueva y por eso deben ser cambiados.

Saque la protección de la rueda dentada para cadena (Véase capítulo 6 "PUESTA EN MARCHA").

Saque la cadena de la sierra y la guía de la sierra.

Extraiga el disco de seguridad (9).

**CUIDADO:** La anilla de seguridad salta de la ranura. Para que no salte, asegure la anilla con el pulgar en el momento de quitarla.

Retirar la arandela separadora (11).

En caso de estar gastado el piñón (8), reemplazar el conjunto del tambor de acoplamiento (12).

Montar un nuevo conjunto del tambor de acoplamiento (12), arandela separadora (11) y una arandela de seguridad nueva (9).

Para el montaje de la guía, de la cadena de la sierra y de la protección de la rueda dentada para cadena, véase el capítulo 6 "PUESTA EN MARCHA".

**INDICACIÓN:** No use cadenas nuevas con una rueda dentada retraída. Cambiar la rueda dentada como mínimo después del desgaste completo de 2 cadenas. Dejar circular algunos minutos la cadena con el acelerador a la mitad con el fin de que se distribuya el aceite para cadenas uniformemente. ¡Como nuevas cadenas de sierra suelen alargarse, hay que controlar frecuentemente la tensión de cadena (véase 6-3 "Controlar la tensión de la cadena")!

## 7-5. Limpiar el filtro de aire

**ATENCIÓN: Cuando aplique aire comprimido para la limpieza, siempre lleve gafas protectoras para evitar lesionar los ojos!**

El filtro no debe limpiarse con combustible.

### (Fig. 68)

Saque la tapa de la cubierta (1).

Girar el bloqueo del tornillo (2) en sentido contrario a las agujas del reloj y quitar la tapa (3).

Presione el interruptor combinado (4) hacia arriba (posición estándar), con el fin de evitar que puedan penetrar partículas de suciedad dentro del carburador.

Jale ligeramente en la dirección de la flecha por la lengüeta (5) de la tapa del filtro de aire y saque la tapa de filtro del aire.

Sacar el filtro del aire (6).

**ATENCIÓN:** Cubra la boca de aspiración con un paño limpio para impedir la entrada de partículas de suciedad en el carburador.

Lave los filtros muy sucios en agua tibia jabonosa con un detergente normal.

Permita que el filtro de aire se seque **completamente**.

Si el filtro está demasiado sucio, límpielo frecuentemente (varias veces cada día), porque sólo un filtro limpio asegura una potencia óptima del motor.

#### ATENCIÓN:

**¡En caso de daños cambie el filtro inmediatamente!**

**Las piezas de tejido arrancadas y las partículas gruesas de suciedad pueden destruir el motor.**

Colocar el filtro del aire (6) con la orientación ilustrada.

#### ATENCIÓN:

**No inserte el filtro del aire al revés, ni incluso después de haberlo limpiado. De lo contrario, las partículas de polvo en la superficie exterior del filtro del aire pueden ingresar al carburador y causar problemas en el motor.**

Coloque la tapa de filtro del aire.

**Nota:** La lengüeta (5) de la tapa de filtro del aire se engancha automáticamente si la tapa de filtro del aire se ajusta correctamente.

Presione el interruptor combinado (4) hacia abajo y empuje una vez la palanca del acelerador (7) para desactivar el bloqueo del mismo.

Coloque la tapa de cobertura (3). Cuando lo haga, fíjese que los pasadores inferiores (8) en los dos lados de la tapa de cobertura enganchen correctamente (los pasadores no deben quedar visibles si el montaje es el correcto).

Enrosque el tornillo (2) en el sentido de las agujas del reloj.

Retorne la tapa de la cubierta (1).

## 7-6. Cambiar la bujía



#### ATENCIÓN:

**No toque la bujía o la tapa de la bujía con el motor en funcionamiento (alto voltaje).**

**Efectúe el mantenimiento sólo si el motor está apagado.**

**El motor caliente puede ocasionar quemaduras. ¡Use siempre guantes de protección!**

Si el aislador está dañado, hay erosión en el electrodo o estos están muy sucios o cubiertos de aceite, cambie la bujía.

#### (Fig. 69)

Saque la tapa del filtro (véase 7-11 "Limpiar el filtro de aire").

Saque el capuchón de bujía (9) de la bujía. Puede retirar el capuchón de bujía con la mano.

#### La distancia entre los electrodos

La distancia entre los electrodos debe ser de 0,6 mm.

**ATENCIÓN:** Use sólo las bujías siguientes NGK CMR6A.

## 7-7. Controlar la chispa de encendido

#### (Fig. 70)

Apriete la bujía (10) desmontada con el cable de encendido firmemente conectado mediante una pinza aislada contra el cilindro (no cerca de la abertura de la bujía).

Coloque el interruptor combinado (11) en la posición "ON".

Jale con fuerza del cable de arranque.

Si el funcionamiento es correcto se podrá ver una chispa cerca de los electrodos.

## 7-8. Controlar los tornillos del silenciador



#### (Fig. 71)

Desenrosque los 3 tornillos (12) y quite la cubierta superior del silenciador (13).

**Indicación:** En las motosierras con catalizador (EA3200S, EA3201S, EA3201SG), quite la cubierta superior del silenciador con catalizador.

Los tornillos de la cubierta inferior del silenciador (14) no son accesibles y solo se puede comprobar que estén bien puestos. Si estuvieran flojos, apriételos a mano (**atención:** Tenga cuidado de no exceder la rosca).

## 7-9. Recambio de la cuerda de arranque / Reponer el soporte del resorte de torsión / Reemplazar el resorte de arranque

#### (Fig. 72)

Desenrosque los tres tornillos (1).

Quite la carcasa del ventilador (2).

Retire el deflector de aire (3) de la carcasa del ventilador.

**ATENCIÓN: ¡Peligro de lesiones! Sólo debe desatornillar el tornillo (7) si el muelle recuperador no está tenso.**

Si desea cambiar la cuerda de arranque aunque no esté rota, primero debe soltar la tensión del resorte de torsión del tambor de cable (13).

Para esto, en el tirador de arranque saque completamente la cuerda de la carcasa del ventilador.

Sujete el tambor de cable con una mano y apriete con la otra la cuerda en la entalladura (14).

Deje subir cuidadosamente el tambor de cable hasta que el muelle recuperador esté completamente relajado.

Desenrosque el tornillo (7) y extraiga el empujador (8) y el muelle (6).

Saque **cuidadosamente** el tambor de cable.

Eliminar todos los restos de la cuerda.

Enhebre la cuerda nueva (Ø 3,0 mm, 900 mm de longitud) según indicado en el dibujo (no olvidar la arandela (10)) y haga un nudo en cada extremo de cuerda.

Enhebre el nudo (11) en el tambor de cable (5).

Enhebre el nudo (12) en el tirador de arranque (9).

Coloque el tambor de cable girándolo ligeramente hasta que reaccione el resorte de torsión.

Instale el resorte (6) y el empujador (8) e introdúzcalos juntos en el tambor de cable (5) girando ligeramente en sentido contrario a las agujas del reloj. Introduzca y apriete el tornillo (7).

Pase el cable por la entalladura (14) y dé tres vueltas de cable al tambor en el sentido de las agujas del reloj.

Afirme el tambor de cable con la mano izquierda y elimine las torsiones de la cuerda con la mano derecha, tense la cuerda y sujétela.

Suelte cuidadosamente el tambor. La fuerza del resorte enrrolla la cuerda en el tambor.

Repita el proceso. El tirador de arranque debe encontrarse erguido en la carcasa del ventilador.

**NOTA:** Una vez tirada la cuerda completamente hacia afuera, el tambor debe poder girarse al menos 1/4 de vuelta en sentido contrario a la fuerza del resorte de torsión.

**ATENCIÓN: ¡Peligro de lesiones! Una vez desenrollada la cuerda, se debe asegurar el tirador de arranque, ya que éste se retraerá instantáneamente en caso de destrabarse involuntariamente el tambor.**

#### Reponer el soporte con resorte de torsión

Desmonte la carcasa del ventilador y el tambor de cable (véase arriba).



**ATENCIÓN: ¡Riesgo de lesiones! El resorte de torsión puede salir expedido. Use guantes y anteojos de protección.**

Golpee ligeramente la carcasa del ventilador con toda la superficie de apoyo del lado hueco sobre madera y **sujétela**. Levante a continuación la carcasa del ventilador **con cuidado y paso a paso**, ya que el soporte del resorte de torsión desprendido (13) se puede destensar de un modo controlado en caso de que haya saltado el resorte de torsión del soporte de plástico.

Instale con cuidado el nuevo soporte del resorte de torsión y empújelo hasta que enganche.

Coloque el tambor de cable girándolo lentamente hasta que el resorte de torsión se enganche.

Instale el resorte (6) y el empujador (8) y apriete con el tornillo (7).

Tense el resorte (véase arriba).

### **Reemplazar el resorte de arranque**

**INDICACIÓN:** En caso de romperse el resorte (6) del sistema de arranque suave con muelle, para arrancar el motor se necesitará más energía y se notará una mayor resistencia al jalar el tirador de arranque. En caso de notarse estos síntomas al arrancar, revise el resorte (6) y de ser necesario reemplácelo.

## **7-10. Montaje de la carcasa del ventilador**

### **(Fig. 72)**

Inserte el deflector de aire (3) en la caja del ventilador, en este proceso deberá encastrar los tres recesos (4).

Alinee la carcasa del ventilador con la caja, empuje ligeramente y tirar del asa de arranque hasta que el dispositivo arranque.

Apriete los tornillos (1).

## **7-11. Limpiar el recinto del filtro de aire / ventilador**



### **(Fig. 73)**

Extraiga la tapa de cubrición.

Extraiga la caja del ventilador.

**ATENCIÓN: Cuando aplique aire comprimido para la limpieza, siempre use anteojos protectores para evitar lesionar los ojos!**

Toda el área (15) puede ser limpiada con una brocha y aire comprimido.

## **7-12. Limpiar las aletas del cilindro**

### **(Fig. 74)**

Para limpiar las aletas del cilindro puede utilizarse un cepillo para botellas.

## **7-13. Cambiar la cabeza de aspiración**



### **(Fig. 75)**

El filtro de fieltro (16) de la cabeza de aspiración puede estar obstruido. Para poder garantizar una alimentación de combustible perfecta para el carburador se debe cambiar la cabeza de aspiración cada 3 meses.

Saque la cabeza de aspiración al reemplazarla con un gancho de alambre o alicates de punta a través del hueco de la tapa del depósito.

## 7-14. Instrucciones para el mantenimiento regular

Para garantizar una prolongada vida útil, prevenir daños y asegurar el pleno funcionamiento de los dispositivos de seguridad, los trabajos de mantenimiento descritos a continuación deberán realizarse con regularidad. Los derechos de garantía serán válidos solamente si estos trabajos se han realizado de forma regular y acorde al reglamento. ¡No acatar observación de estas instrucciones puede originar accidentes!

El operador de la motosierra debe realizar sólo los trabajos de mantenimiento que se describen en las instrucciones de manejo. Todos los demás trabajos deben ser llevados a cabo por un taller especializado de MAKITA.

			Sección
<b>En general</b>	Motosierra completa	Limpiar el exterior y examinar por daños. En caso de daños, dejar efectuar reparaciones inmediatamente por un taller especializado	
	Cadena de la sierra	Afilar con regularidad, recambiar a tiempo	7-1
	Freno de la cadena	Hacerla examinar con regularidad en el servicio MAKITA	
	Guía de la sierra	Invertirla, para que el desgaste de las superficies de rodadura sea uniforme. Cambiar a tiempo.	6a - c 7-3
	Cuerda de arranque	Examinar por daños. Cambiar en caso de daños.	7-9
<b>Antes de cada puesta en marcha</b>	Cadena de la sierra	Examinar por posibles fallas y revisar el filo. Controlar la tensión de la cadena	7-1 6a-3, 6b-3, 6c-3
	Guía de la sierra	Examinar por daños	
	Engrase de cadena	Prueba de funcionamiento	6-9
	Freno de la cadena	Prueba de funcionamiento	6-13
	Interruptor combinado, Pulsador de bloqueo (segur.)	Prueba de funcionamiento	6-11
	Acelerador		
	Tapón de los depósitos de aceite y combustible	Examinar hermeticidad	
<b>Cada día</b>	Filtro de aire	Limpiar (en su caso varias veces al día)	7-5
	Guía de la sierra	Examinar por daños, limpiar el taladro de carga de aceite	7-3
	Soporte del riel	Limpiar, especialmente la ranura-guía de aceite	6-10, 7-2
	Núm. de revoluc., vacío	Examinar (cadena no debe girarse)	6-14
<b>Cada semana</b>	Cárter del ventilador	Limpiar, a efectos de garantizar la perfecta circulación del aire de refrigeración	5
	Recinto del filtro de aire	Limpiar, a efectos de garantizar la perfecta circulación del aire de refrigeración	7-11
	Recinto del ventilador	Limpiar, a efectos de garantizar la perfecta circulación del aire de refrigeración	7-11
	Aletas del cilindro	Limpiar, a efectos de garantizar la perfecta circulación del aire de refrigeración	7-12
	Bujía	Examinar y cambiar si es necesario	7-6, 7-7
	Silenciador	Examinar si presenta obturaciones, Controlar tornillos	5, 7-8
	Retenedor de la cadena	Examinar	5
	Tornillos y tuercas	Comprobar el estado y el montaje firme	
<b>Cada 3 meses</b>	Cabezal de aspiración	Cambiar	7-13
	Depósito de aceite/ combust.	Limpiar	
<b>Anual</b>	Motosierra completa	Hacer que un taller especializado lo inspeccione.	
<b>Antes de almacenar</b>	Motosierra completa	Limpiar el exterior y examinar por daños. En caso de daños, hacer que sea examinada por un taller especializado.	
	Cadena/guía de sierra	Desmontar, limpiar y lubricar ligeramente Limpiar la ranura-guía de la guía de cadena	7-3
	Depósito de aceite/ combust.	Descargar y limpiar	
	Carburador	Dejar funcionar el motor hasta que se consuma el combustible	

## 8. Servicio, piezas de repuesto y garantía

### Mantenimiento y reparaciones

El mantenimiento y la reparación de motosierras modernas, al igual que todos los dispositivos de seguridad, requieren capacitación especializada y calificada y un taller equipado de herramientas especiales y aparatos de prueba adecuados.

Todos los trabajos no indicados en el presente manual de instrucciones deberán ser realizados por un taller especializado de MAKITA.

El especialista dispone de la formación, experiencia y equipamiento necesario para facilitarle la solución más económica respectivamente, así como para ayudarles en cualquier consulta y ofrecerle los consejos oportunos.

En la página web [www.makita-outdoor.com](http://www.makita-outdoor.com) hallará los establecimientos especializados de MAKITA. En su garantía también encontrará un listado con los Centros de Servicio en México.

En caso de intentos realizados por terceros o por personas no autorizadas, perderá el derecho a la garantía.

### Piezas de repuesto

La seguridad funcional en el servicio continuo y la seguridad de su motosierra dependen entre otras cosas de la calidad de las piezas de repuesto. Use sólo piezas de repuesto originales de MAKITA.

Estas piezas son fabricadas especialmente para su tipo de motosierra y por eso aseguran una óptima calidad del material, la exactitud dimensional, funcionamiento y la seguridad.

Puede adquirir piezas de repuesto originales de MAKITA con su vendedor local. Él tiene las listas de piezas de repuesto con los números de pedido requeridos y está siempre al tanto de la mejora de innovaciones en la oferta de piezas de repuesto. En la página web [www.makita-outdoor.com](http://www.makita-outdoor.com) hallará los establecimientos especializados de MAKITA.

Tenga presente que si utiliza piezas de repuesto que no sean originales de MAKITA, se anulará la garantía.

### Garantía

MAKITA garantiza la calidad más alta y, por lo tanto, reembolsará todos los costos de reparación de piezas dañadas que surjan a partir de fallas de materiales o producción que ocurran dentro del período de garantía después de la compra. Tenga presente que es posible que en algunos países las condiciones de garantía sean diferentes. En caso de duda diríjase a su vendedor. Él es responsable por la garantía del producto. Este texto de garantía no aplica para México.


Tenga presente que no podemos aceptar responsabilidad alguna por daños causados a raíz de:

- No acatar el manual de instrucciones.
- Omitir de trabajos de mantenimiento y limpieza necesarios.
- Ajustar inadecuadamente el carburador.
- Desgaste normal.
- Sobrecarga evidente por sobrepaso permanente de la potencia máxima.
- Uso de guías y cadenas de sierra no aprobadas.
- Uso de longitudes de la guía y de la cadena no aprobadas.
- Uso de fuerza, tratamiento inadecuado, uso impropio o accidente.

- Avería por recalentamiento debido a suciedad en la caja del ventilador.
- Reparaciones efectuadas por personas no experimentadas o reparaciones inadecuadas.
- Uso de piezas de repuesto inadecuadas o de piezas no originales de MAKITA, si han provocado el daño.
- Uso de combustibles inadecuados o vencidos.
- Daños provocados a partir de préstamos o arriendo del producto.
- Omisión del ajuste en tiempo oportuno de los tornillos externos.

Los trabajos de limpieza, mantenimiento y ajuste no se incluyen en la garantía. Todas las reparaciones cubiertas por la garantía deben ser efectuadas por un taller especializado de MAKITA.

## 9. Localización de averías

Avería	Sistema	Observación	Causa
Cadena no funciona	Freno de cadena	Motor arranca	Freno de cadena activado
Motor no arranca o lo hace con dificultad	Sistema de encendido	Hay chispa de encendido	Defecto en alimentación de combustible, sistema de compresión, avería mecánica
		No hay chispa de encendido	Interruptor de parada en pos.  , fallas o cortocircuito en los cables, Conector de bujías, bujía de encendido averiada
	Alimentación de combustible	Depósito de combustible lleno	Interruptor combinado en posición de estárter, carburador defectuoso, cabeza de aspiración sucia, tubería de combustible quebrada o rota
	Sistema de compresión	En el interior	Junta al pie del cilindro defectuosa, retenes radiales del eje defectuosos, cilindro o aros de pistón defectuosos
		Al exterior	Bujía no cierra herméticamente
	Avería mecánica	Dispositivo de arranque no engrana	Muelle en dispositivo de arranque roto, componentes rotos en el interior del motor
Arranque en caliente difícil	Carburador	Depósito cargado (comb.) Chispa de encendido	Ajuste del carburador incorrecto
Motor arranca, pero no funciona	Alimentación de combustible	Depósito de combustible cargado	Ajuste incorrecto de las r. p. m. en marcha sin carga, cabeza de aspiración o carburador sucios, ventilación del depósito defectuosa, tubería de combustible interrumpida, cable defectuoso, Interruptor combinado defectuoso
Potencia insuficiente	Posiblemente varios sistemas al mismo tiempo	Motor marcha en vacío	Filtro de aire sucio, ajuste del carburador incorrecto, silenciador obstruido, canal de salida de humos en el cilindro tapado, la rejilla parachispas obturado.
No engrase de cadena	Depósito de aceite Bomba de aceite	No hay aceite en la cadena de sierra	Depósito de aceite vacío Ranura-guía de aceite sucia El tornillo de ajuste de la bomba de aceite está desajustado

## 10. Extracto de la lista de piezas de repuesto (Fig. 76)

Use sólo piezas de repuesto originales de MAKITA. Las reparaciones y reemplazos de otras piezas deben ser efectuadas por un taller especializado de MAKITA.

EA3200S, EA3201S  
EA3202S, EA3203S  
EA3201SG, EA3203SG



### Piezas de repuesto

Pos.	No.	Denominación
1	1	Guía de la sierra 9,5 mm (3/8"), 30 cm (12"), 1,3 mm
	1	Guía de la sierra 9,5 mm (3/8"), 35 cm (14"), 1,3 mm
	1	Guía de la sierra 9,5 mm (3/8"), 40 cm (16"), 1,3 mm
2	1	Cadena de la sierra 9,5 mm (3/8") para 30 cm, 1,3 mm
	1	Cadena de la sierra 9,5 mm (3/8") para 35 cm, 1,3 mm
	1	Cadena de la sierra 9,5 mm (3/8") para 40 cm, 1,3 mm
1	1	Guía de la sierra 9,5 mm (3/8"), 30 cm (12"), 1,1 mm
	1	Guía de la sierra 9,5 mm (3/8"), 35 cm (14"), 1,1 mm
2	1	Cadena de la sierra 9,5 mm (3/8") para 30 cm, 1,1 mm
	1	Cadena de la sierra 9,5 mm (3/8") para 35 cm, 1,1 mm
1	1	Guía de la sierra 9,5 mm (3/8"), 30 cm (12"), 1,3 mm
	1	Guía de la sierra 9,5 mm (3/8"), 35 cm (14"), 1,3 mm
	1	Guía de la sierra 9,5 mm (3/8"), 40 cm (16"), 1,3 mm
2	1	Cadena de la sierra 9,5 mm (3/8") para 30 cm, 1,3 mm
	1	Cadena de la sierra 9,5 mm (3/8") para 35 cm, 1,3 mm
	1	Cadena de la sierra 9,5 mm (3/8") para 40 cm, 1,3 mm
1	1	Guía de la sierra 9,5 mm (3/8"), 30 cm (12"), 1,1 mm
	1	Guía de la sierra 9,5 mm (3/8"), 35 cm (14"), 1,1 mm
2	1	Cadena de la sierra 9,5 mm (3/8") para 30 cm, 1,1 mm
	1	Cadena de la sierra 9,5 mm (3/8") para 35 cm, 1,1 mm
3	1	Protección de espada para 30 cm - 35 cm (9,5 mm - 3/8")
	1	Protección de espada para 40 cm, 9,5 mm
4	1	Llave combinada SW 16/13
6	1	Atornillador del carburador
7	1	Cabezal de aspiración
8	1	Cierre del depósito de combustible completo.
9	1	Anillo toroidal 29,3 mm x 3,6 mm
10	1	Soporte del resorte de torsión cpl.
11	1	Muelle
12	1	Empujador
13	1	Cuerda de arranque 3,0 mm x 900 mm
14	1	Bujía
15	1	Tapón, depósito de aceite, cpl.
16	1	Anillo toroidal 29,3 mm x 3,6 mm
17	1	Filtro de aire
18	1	Protector del piñon, cpl.
	1	Protección de rueda dentada (con tensor rápido) cpl.
19	2	Tuercas hexagonal M8
20	1	Tambor de acoplamiento cpl. 9,5 mm (3/8"), 6-dientes
21	1	Arandela separadora
22	1	Disco de seguridad (Circlip)
23	1	Rejilla para chispas

### Accesorios (no suministrados con la motosierra)

25	1	Calibrador cadena
26	1	Agarre de lima
27	1	Lima redonda ø 4,5 mm
28	1	Lima redonda ø 4,0 mm
29	1	Lima plana
30	1	Portalimas (con lima redonda ø 4,5 mm)
31	1	Portalimas (con lima redonda ø 4,0 mm)
32	1	Destornillador acodado
-	1	Depósito combinado (para 5 L combust., 3 L aceite para cadenas)





## PORTUGUÊS (Instruções originais)

### Muito obrigado pela sua confiança!

Esperamos que esteja satisfeito com esta moderna máquina. Os modelos EA3200S, EA3201S, EA3202S, EA3203S, EA3201SG, EA3203SG são motosserras em novo desenho, especialmente manejáveis e robustas.

A lubrificação automática da corrente com uma bomba de óleo regulável, a ignição eletrônica livre de manutenção, o saudável sistema antivibração e a forma ergonômica dos punhos e elementos de manejo garantem um conforto operacional e um amplo trabalho sem fadiga. O sistema de partida fácil de mola permite uma partida sem grandes esforços. O processo de arranque é apoiado por um acumulador de mola. Dependendo do país, os modelos são equipados com catalizador que reduz o teor de substâncias nocivas dos gases emitidos e cumpre ao mesmo tempo as exigências da diretiva europeia 2002/88/EC.

O equipamento de segurança das motosserras EA3200S, EA3201S, EA3202S, EA3203S, EA3201SG, EA3203SG da MAKITA corresponde ao estado mais moderno da técnica e cumpre com todas as normas de segurança nacionais e internacionais. Ele compreende dispositivos de proteção para a mão em ambos os punhos, bloqueio da alavanca de aceleração, pino de retenção da corrente, corrente de serra de segurança e um freio de corrente cuja ativação pode ser tanto manual, como automática por recuo, através de accionamento da aceleração.

Os seguintes direitos de propriedade industrial se aplicam:

DE 101 32 973, DE 20 2008 006 013, DE 20 2009 013 953, DE 203 19 902, DE 203 01 182, DE 197 22 629, DE 10 2007 039 028, DE 10 2007 038 199.

**Para assegurar um funcionamento sempre perfeito e a capacidade de sua nova motosserra e garantir a sua segurança pessoal, leia atentamente estas instruções de serviço antes da primeira colocação em serviço e siga acima de tudo as normas de segurança. A não observância pode resultar em ferimentos graves ou morte!**



### AVISO

O sistema de ignição deste equipamento produz um campo eletromagnético. Este campo pode interferir com alguns dispositivos médicos, tais como marcapasso. Para reduzir o risco de ferimento sério ou fatal, as pessoas com implantes médicos devem consultar seus médicos e o fabricante do implante médico antes de operar este equipamento.

## Índice

Página

1. Conteúdo da embalagem .....	57
2. Símbolos .....	57
3. INDICAÇÕES DE SEGURANÇA .....	58
3-1. Utilização de acordo com as determinações .....	58
3-2. Indicações gerais de segurança .....	58
3-3. Equipamento de proteção.....	58
3-4. Combustíveis / Reabastecimento .....	58
3-5. Colocação em serviço .....	58
3-6. Rebote .....	59
3-7. Comportamento e método de trabalho .....	59
3-8. Transporte e armazenamento .....	60
3-9. Manutenção.....	60
3-10. Primeiros socorros .....	61
4. Dados técnicos.....	62
5. Descrição das peças.....	63
6. COLOCAÇÃO EM SERVIÇO .....	63
6a. Apenas para os modelos com porcas de fixação na proteção da roda dentada .....	63
6a-1. Montagem da barra guia e da corrente de serra .....	63
6a-2. Ajuste da tensão da corrente de serra .....	63
6a-3. Verificação da tensão da corrente.....	64
6a-4. Retensionamento da corrente de serra.....	64
6b. Apenas para barra guia “QuickSet” .....	64
6b-1. Montagem da barra guia e da corrente de serra .....	64
6b-2. Ajuste da tensão da corrente de serra .....	64
6b-3. Verificação da tensão da corrente .....	65
6b-4. Retensionamento da corrente de serra.....	65
6c. Apenas para os modelos com tensionador rápido na proteção da roda dentada (TLC) .....	65
6c-1. Montagem da barra guia e da corrente de serra .....	65
6c-2. Ajuste da tensão da corrente de serra .....	65
6c-3. Verificação da tensão da corrente.....	65
6c-4. Retensionamento da corrente de serra.....	66
Para todos os modelos	
6-5. Freio de corrente.....	66
6-6. Combustível.....	66
6-7. Óleo de corrente de serra .....	67
6-8. Abastecimento de combustível e óleo de corrente .....	68
6-9. Verificação da lubrificação da corrente .....	68
6-10. Ajuste da lubrificação da corrente .....	68
6-11. Partida do motor .....	69
6-12. Desligamento do motor.....	69
6-13. Verificação do freio de corrente .....	69
6-14. Regulagem do carburador .....	70
7. MANUTENÇÃO .....	71
7-1. Afição da corrente de serra.....	71
7-2. Limpeza do compartimento interno da roda dentada .....	71
7-3. Limpeza da barra guia .....	72
7-4. Substituição da corrente de serra .....	72
7-5. Limpeza do filtro de ar .....	72
7-6. Troca da vela de ignição .....	72
7-7. Verificação da centelha de ignição .....	73
7-8. Verificação dos parafusos do silencioso .....	73
7-9. Troca do cabo de partida / Troca da caixa da mola de retorno / Troca da mola de partida .....	73
7-10. Montagem da caixa do ventilador .....	73
7-11. Limpeza do recipiente do filtro de ar / Limpeza do recipiente do ventilador .....	73
7-12. Limpeza das palhetas do cilindro.....	74
7-13. Troca da cabeça de sucção .....	74
7-14. Instruções para manutenção periódica.....	75
8. Serviço de oficina, peças sobressalentes e garantia.....	76
9. Procura de avarias .....	77
10. Sumário da lista de peças sobressalentes.....	78


## 1. Conteúdo da embalagem (Fig. 1)

1. Motosserra
2. Barra guia
3. Corrente de serra
4. Cobertura da proteção da corrente
5. Chave universal
6. Chave de parafusos para regulagem do carburador
7. Instruções de serviço (não aparece na figura)

Caso uma das peças relacionadas aqui não fizer parte do conteúdo da embalagem, procure seu revendedor.

## 2. Símbolos

A motosserra e as instruções de serviço apresentam os seguintes símbolos:

	<b>Ler as instruções de serviço e seguir as indicações de advertência e segurança!</b>		<b>Travão de corrente</b>
	<b>Cuidado e atenção especial!</b>		<b>Segure a motosserra com as duas mãos enquanto trabalha! A utilização com uma mão é extremamente perigosa!</b>
	<b>Proibido!</b>		<b>Mistura de combustível</b>
	<b>Usar capacete e protector para os olhos e os ouvidos!</b>		<b>Regulagem do carburador</b>
	<b>Colocar luvas de proteção!</b>		<b>Óleo de corrente de serra</b>
	<b>Proibido fumar!</b>		<b>Parafuso de regulagem do óleo da corrente de serra</b>
	<b>Proibido fogo aberto!</b>		<b>Bomba de combustível (Primer)</b>
	<b>Desligar o motor!</b>		<b>Primeiros socorros</b>
	<b>Partida do motor</b>		
	<b>Interruptor de combinação Afogador Liga/Desliga</b>		
	<b>Posição de segurança</b>		
	<b>Atenção, recuo!</b>		
			

## 3. INDICAÇÕES DE SEGURANÇA

### 3-1. Utilização de acordo com as determinações

#### Motosserras

A motosserra deve ser utilizada somente para o corte de madeira ao ar livre. De acordo com a classe da motosserra é apropriada para as seguintes aplicações:

- **Classe média e profissional:** Uso em árvores pequenas, médias e grandes: derrubar árvores, podar galhos, encurtar troncos, afinamento.
- **Classe Hobby:** Para uso ocasional em árvores pequenas, tratamento de árvores frutíferas, derrubar, podar galhos, encurtar troncos.

#### Usuários não autorizados:

Pessoas que não estejam familiarizadas com o Manual de Instruções, crianças, adolescentes, bem como pessoas que estejam sob influência de álcool, drogas ou medicamentos estão proibidas de utilizar esta serra.

A regulamentação nacional pode restringir o uso da máquina!

### 3-2. Indicações gerais de segurança

- **Para garantir a segurança de serviço, o operador deve impreterivelmente ler estas indicações de serviço (Fig. 2)** para se familiarizar com o manejo da motosserra. Operadores mal-informados podem pôr em perigo a si mesmos e outras pessoas, através de utilização incorrecta da máquina.
- Empreste a motosserra somente para pessoas que possuam experiência com uma motosserra. Neste caso, entregue as instruções de serviço para a mesma.
- A pessoa que for utilizar a serra pela primeira vez, deve pedir informações básicas ao revendedor para se familiarizar com as características específicas de serras com motor, ou atender a um curso de formação em motosserra, oferecido por entidade pública.
- A motosserra não pode ser operada por crianças e jovens menores de 18 anos. Jovens com mais de 16 anos podem ser excluídos desta proibição, no caso de formação profissional realizada na presença de um instrutor técnico.
- O trabalho com a motosserra exige concentração máxima.
- Trabalhe somente quando estiver em ótimas condições físicas. O cansaço leva à perda de concentração. Nunca trabalhe se estiver doente. Preste atenção especial no fim do trabalho. Execute todos os trabalhos com calma e atenção. O operador é responsável por terceiros.
- Nunca use a motosserra sob efeito de álcool, drogas ou medicamentos. **(Fig. 3)**
- Em caso de trabalhos em áreas de vegetação seca, mantenha um extintor à disposição (perigo de incêndio florestal).

### 3-3. Equipamento de proteção (Fig. 4 e 5)

- **Para evitar ferimentos à cabeça, olhos, mãos ou pés, assim como para proteger sua audição, os seguintes equipamentos de proteção devem ser usados durante o uso da motosserra:**
- A roupa deve estar justa, mas não de maneira que impeça os movimentos. Não use joias ou roupas que possam enroscar em galhos ou arbustos. Em caso de cabelos compridos, é absolutamente necessário prendê-los com uma rede!
- É necessário usar um capacete de segurança sempre que trabalhar com a motosserra. O **capacete de segurança (1)** deve ser regularmente verificado quanto a avarias e substituído, o mais tardar, após 5 anos. Use

somente capacetes protetores aprovados.

- O **protetor facial (2)** do capacete de proteção (ou visores) protege contra poeira e lascas de madeira. Para evitar ferimentos nos olhos, o protetor de rosto ou os óculos de proteção devem ser sempre utilizados durante a operação com a motosserra.
- Use equipamento de **proteção anti-ruído adequado** (protetores auriculares (3), tampões de ouvido, etc). Análise de banda de oitava mediante solicitação.
- A **jaqueta de segurança (4)** possui tiras de ombros em cores de sinalização especiais, é confortável e fácil de cuidar.
- O **macacão de proteção (5)** é feito de náilon com múltiplas camadas e protege contra cortes. Sua utilização é altamente recomendável.
- As **luvas de proteção (6)** feitas de couro forte são parte do equipamento prescrito por norma e devem ser utilizadas durante a operação com a motosserra.
- Durante a operação da motosserra deve-se sempre utilizar **sapatos** ou **botas de segurança (7)** com sola aderente, cobertura de aço e uma proteção da perna. Os sapatos de segurança equipados com camada protetora fornecem proteção contra cortes e asseguram um posicionamento firme dos pés.
- Serrar madeira seca pode criar pó. Use uma máscara de pós adequada.

### 3-4. Combustíveis / Reabastecimento

- Pare o motor antes de abastecer a motosserra.
- Não fume ou trabalhe perto de fogo aberto **(Fig. 6)**.
- Deixe a máquina esfriar antes de abastecer.
- Os combustíveis podem conter substâncias do tipo solvente. Evite o contato dos olhos e da pele com produtos de óleo mineral. Use luvas para abastecer. Troque e limpe regularmente as roupas de proteção. Não respire vapores de combustível. A inalação de vapores de combustível podem causar danos à saúde.
- Não entorne combustível ou óleo de corrente. Se isto acontecer, limpe imediatamente a motosserra. Não coloque roupas em contato com o combustível. Neste caso, troque de roupa imediatamente.
- Certifique-se de que não seja derramado combustível ou óleo de corrente no solo (proteção do meio-ambiente). Use uma base apropriada.
- O reabastecimento não é permitido em ambientes fechados. Os vapores de combustível irão se acumular no solo (perigo de explosão).
- Feche bem o bujão rosqueado dos tanques de combustível e óleo.
- Mude de lugar antes de dar partida à motosserra (no mínimo a 3 metros de distância do local de reabastecimento) **(Fig. 7)**.
- Combustíveis não podem ser armazenados por tempo ilimitado. Compre somente a quantidade correspondente à necessidade prevista.
- Somente transporte e armazene combustível ou óleo de corrente em reservatórios autorizados e designados para isto. Certifique-se de que crianças não tenham acesso ao combustível ou óleo de corrente.

### 3-5. Colocação em serviço

- **Não trabalhe sozinho. Para casos de emergência, deve sempre ter alguém por perto** (a uma distância que possa ser chamada).
- Certifique-se de que não há crianças ou outras pessoas na área de trabalho. Cuidado com animais na área de trabalho **(Fig. 8)**.
- **Antes de iniciar o trabalho, a motosserra deve ser verificada quanto ao perfeito funcionamento e segurança de operação, de acordo com as instruções.**

Verifique principalmente o funcionamento do freio de corrente, a montagem correta da barra guia, a afiação e a tensão prescritos para a corrente, a montagem firme da proteção da roda dentada, a marcha fácil da alavanca de aceleração e o funcionamento do bloqueio desta alavanca, a limpeza das empunhaduras e a função do interruptor liga/desliga.

- Apenas coloque a motosserra em serviço após sua montagem completa. A motosserra só pode ser utilizada quando estiver completamente montada.
- Antes de dar partida à motosserra, certifique-se de estar em posição firme.
- Apenas dê partida à motosserra de acordo com a descrição do manual de instruções (Fig. 9). Outros métodos de partida são proibidos.
- Ao dar partida, a motosserra deve estar bem apoiada e bem segura. A barra guia e a corrente não devem estar em contato com qualquer objeto.
- **Quando trabalhar com a motosserra, segure sempre com ambas as mãos.** Segure a empunhadura traseira com a mão direita e a empunhadura tubular com a mão esquerda. Segure as empunhaduras firmemente com os dedos polegares voltados para seus dedos.
- **ATENÇÃO: Ao soltar a alavanca de aceleração, a corrente continua rodando por um curto período** (efeito de roda livre).
- A atenção quanto à firmeza da posição deve ser constante.
- A motosserra deve ser segurada de modo que não sejam respirados gases de escape. Não trabalhar em ambientes fechados (perigo de intoxicação).
- **Desligue imediatamente a motosserra se você notar alguma mudança em seu comportamento de operação.**
- **Desligue o motor para testar a tensão da corrente, para fazer apertos, para trocar a corrente e para eliminar mau funcionamento (Fig. 10).**
- Em caso de contato do dispositivo de serrar com pedras, pregos ou outros objetos duros, desligue imediatamente o motor e verifique o dispositivo de serrar. Se a motosserra for exposta à força, como impacto ou queda, inspecione toda a motosserra quanto ao funcionamento adequado.
- Nas pausas de trabalho e antes de sair da área de trabalho, desligue a motosserra (Fig. 10) e deixe-a de modo que nenhuma pessoa seja posta em perigo.
  - Manutenção
  - Reabastecimento
  - Afiação da corrente
  - Parada do trabalho
  - Transporte
  - Desligamento da função



**ATENÇÃO: Quando a motosserra estiver aquecida, não coloque-a sobre a grama seca ou sobre objetos inflamáveis. O silencioso irradia uma enorme quantidade de calor (perigo de incêndio).**

- **ATENÇÃO:** Óleo que pinga da corrente ou da barra guia após a parada da corrente de serra poluirá o solo. Use sempre uma base apropriada.

### 3-6. Rebote

- Durante o trabalho com a motosserra, podem ocorrer rebotes perigosos.
- O rebote ocorre no caso de contato involuntário da seção superior da ponta da barra guia com madeira ou outros objetos duros (Fig. 11).
- Isso faz com que a serra seja lançada em direção ao usuário com grande força e de forma descontrolada.**Risco de ferimentos!**  
**Para evitar rebotes, observe o seguinte:**
- Somente pessoas especialmente treinadas podem executar cortes penetrantes, ou seja, fazer furos em troncos e madeira com a ponta da serra!

- Nunca aplique a extremidade da barra quando começar a fazer um corte.
- Observar sempre a ponta da barra guia. Tenha cuidado ao continuar cortes já começados.
- Inicie o corte com a corrente em funcionamento.
- Certifique-se sempre de que a corrente esteja afiada corretamente. Preste atenção especial para a altura do limitador de profundidade.
- Nunca corte vários galhos ao mesmo tempo. Ao cortar galhos, tomar cuidado para não encostar num outro galho.
- Ao fazer cortes transversais em troncos, atente para troncos que estejam muito perto.

### 3-7. Comportamento e método de trabalho

- Trabalhe somente com boa luz e visibilidade. Preste atenção a áreas escorregadias ou molhadas e com gelo e neve (perigo de derrapagem). O risco de escorregar é extremamente alto quando trabalhar em madeira descascada a pouco tempo (casca de árvore).
- Nunca trabalhe sobre solos instáveis. Certifique-se de que não haja obstáculos na área de trabalho, há perigo de tropeçar. Certifique-se sempre de que tenha firmeza dos pés.
- Nunca serre acima da altura do ombro (Fig. 12).
- Nunca serre em pé sobre escadas (Fig. 12).
- Nunca suba em árvore para trabalhar com a motosserra.
- Não trabalhe muito inclinado para frente.
- Conduza a motosserra de maneira que nenhuma parte do corpo se encontre no campo longitudinal do movimento rotativo da serra (Fig. 13).
- Use a motosserra somente para serrar madeira.
- Não toque o solo com a motosserra em funcionamento.
- Não utilize a motosserra como alavanca ou pá para remover pedaços de madeira ou outros objetos.
- Remova corpos estranhos, como areia, pedras e pregos, da área de trabalho. Corpos estranhos podem danificar o dispositivo de serrar e causar rebote perigoso contragolpe.
- Utilize uma base segura quando trabalhar em madeira serrada (se possível, use cavalete apropriado, Fig. 14). A madeira não pode ser segurada com o pé ou por outras pessoas.
- Madeiras redondas devem ser fixadas para não girar.
- **Para cortes transversais e abates, a barra dentada (Fig. 14, Z) deve ser aplicada na madeira a ser cortada.**
- Antes de realizar cada **corte transversal**, aplique a barra dentada com firmeza, e só depois a madeira pode ser cortada com a corrente em funcionamento. Para isto, a motosserra é levantada na empunhadura traseira e conduzida com a empunhadura tubular. A barra dentada serve como centro de rotação. Retome a aplicação com leve pressão sobre a empunhadura tubular, simultaneamente puxando de volta a motosserra. Aplique a barra dentada mais fundo e eleve novamente a empunhadura traseira.
- **Cortes transversais e de perfuração é altamente recomendável que sejam executados por pessoas especialmente treinadas** (alto risco de rebote).
- Quando iniciar um corte, a lâmina pode deslizar para o lado ou pular ligeiramente. Isso depende da madeira e da condição da corrente. **Portanto, segure sempre a motosserra com ambas as mãos.**
- Aplique **cortes - transversais e - ao comprimento** no ângulo mais baixo possível (Fig. 15). Tenha cuidado especial quando fizer esse tipo de corte já que a barra dentada não pode agarrar.
- A serra deve estar em funcionamento sempre que remover a motosserra da madeira.
- Caso sejam realizados vários cortes, solte a alavanca de aceleração entre os cortes.



- Cuidado ao cortar madeira em lascas. Os pedaços de madeira serrados podem ser arrastados (risco de ferimentos).
- Quando cortar com a extremidade superior da barra guia, a motosserra pode ser empurrada na direção do usuário se a corrente se prender. Por isso, use a extremidade inferior da barra sempre que possível. A motosserra será então empurrada para longe de você (**Fig. 16**).
- Madeira sob pressão (**Fig. 17**) deve ser cortada primeiro no lado de pressão (A). Somente então pode ser efetuado o corte transversal no lado de tração (B). Desta forma evita-se prender a barra guia.
- No final do corte, o peso da motosserra causará a sua passagem rápida, já que não será mais segura pelo corte. Segure-a com firmeza para controlar isso.

#### **ATENÇÃO:**

**Os trabalhos de abate ou poda de galhos devem ser executados por pessoas especialmente treinadas. Risco de de ferimentos!**

- Quando cortar galhos, a motosserra deveria ser apoiada no tronco. Não use a extremidade da barra para corte (risco de rebote).
- Muito cuidado com galhos sob tensão. Não corte galhos livres por baixo.
- Nunca se posicione sobre o tronco para executar trabalhos de abate.
- **Antes de cortar árvores certifique-se de:**
  - a) na área de abate só encontram-se pessoas que estão envolvidas neste trabalho.
  - b) cada trabalhador envolvido pode se retirar sem tropeçar (as pessoas devem se retirar para trás em diagonal, ou seja, em 45°).
  - c) o pé do tronco deve estar livre de corpos estranhos, matagal e galhos. Certifique-se de ter um posicionamento firme dos pés (risco de tropeçar).
  - d) o próximo local de trabalho deve ser no mínimo 2 1/2 comprimentos de árvore de distância (**Fig. 18**). Antes do abate, deve ser verificada a direção de queda, a qual deve estar livre de pessoas ou objetos a uma distância de 2 1/2 comprimentos de árvore.  
(1) = área de corte
- **Avaliação da árvore:**  
Direção da suspensão - galhos soltos ou secos - altura da árvore - projeção natural - a árvore está podre?
- Observar a velocidade e direção do vento. No caso de ventos fortes, não execute o trabalho de corte de árvore.
- **Corte de raízes:**  
Comece pela raiz mais forte. Realize primeiro o corte vertical, e depois o horizontal.
- **Aplique o entalhe de abate ao tronco (Fig. 19, A):**  
O entalhe de abate define na árvore a direção e condução da queda. O ângulo é marcado perpendicularmente à direção da queda e deve penetrar 1/3 - 1/5 do diâmetro do tronco. Realize o corte próximo ao solo.
- As eventuais correções do entalhe devem ser feitas em toda sua largura.
- **O corte de abate (Fig. 20, B) deve ser aplicado acima da base do entalhe (D).** Ele deve ser exatamente horizontal. A distância entre ambos os cortes deve ser de aproximadamente 1/10 do diâmetro do tronco.
- **O material entre os dois cortes (C) serve como dobradiça.** Ele não deve de maneira alguma ser cortado até o fim, pois a árvore cai descontroladamente. Devem ser colocados calços a tempo.
- O corte de abate só pode ser fixado com calços de plástico ou de alumínio. Não use calços de ferro. Se a serra bater em um calço de ferro, a corrente pode ficar seriamente danificada ou se romper.
- Ao abater, mantenha-se sempre ao lado da árvore que cai.
- Ao afastar-se depois do corte de abate, cuidado com galhos que caem.

- Em caso de trabalhos em encostas, o operador deve permanecer acima ou ao lado do tronco a ser trabalhado ou da árvore deitada.
- Tome cuidado com troncos de árvores que rolam.

### **3-8. Transporte e armazenamento**



- **Para mudar de posição durante o trabalho, desligue a motosserra ou acione o freio de corrente, para evitar uma partida involuntária da corrente.**
- **Nunca carregue e transporte a motosserra com a corrente em funcionamento.**
- **Não cubra a serra (com lonas, cobertas, jornais, etc.) quando esta estiver quente. Deixe a serra esfriar antes de colocá-la em uma caixa transportadora ou veículo. Serras com catalizador leva mais tempo para esfriar!**
- Para transportar a motosserra em distâncias maiores, deve-se colocar a capa protetora da corrente (fornecida com a motosserra).
- Carregue a motosserra pela empunhadura tubular. A barra guia fica voltada para trás (**Fig. 21**). Evite entrar em contato com o silencioso (perigo de queimaduras).
- Ao transportar em um automóvel, certifique-se de que a motosserra esteja em posição segura para que não vaze combustível ou óleo de corrente.
- Guarde a motosserra em um ambiente seco. A serra não pode ser deixada ao ar livre. Crianças não devem ter acesso à motosserra. A capa protetora da corrente deve estar sempre colocada.
- Em caso de armazenamento mais prolongado e de envio da motosserra, os tanques de combustível e de óleo devem ser completamente esvaziados.

### **3-9. Manutenção**

- **Antes de executar trabalho de manutenção, desligue a motosserra (Fig. 22) e puxe a tampa da vela.**
- Antes de cada início de trabalho, verifique o estado da motosserra quanto à segurança operacional, principalmente o funcionamento do freio de corrente. Certifique-se de que a corrente está afiada e tensionada corretamente (**Fig. 23**).
- A motosserra deve ser operada com baixos teores de gás de escape e ruído. Para isso, certifique-se de que o carburador está ajustado corretamente.
- Limpe regularmente a motosserra.
- Verifique regularmente se a tampa do tanque está bem fechada.
- **Observe as normas de prevenção de acidentes da associação profissional responsável e da companhia de seguros. De maneira alguma devem ser realizadas modificações na construção da motosserra. Isto pode colocar sua segurança em perigo.**  
Os trabalhos de manutenção só podem ser executados de acordo com as descrições no manual de instruções. Qualquer outro tipo de trabalho só pode ser executado pelo Serviço MAKITA.



#### **SERVIÇO**

Utilize somente peças sobressalentes e acessórios originais MAKITA.  
Em caso de utilização de peças sobressalentes, acessórios, combinações barras guia/correntes e outros componentes não originais MAKITA, o usuário corre grandes riscos. Não aceitamos qualquer responsabilidade por acidentes ou danos resultantes do uso do dispositivos de serra ou acessórios não aprovados.



### 3-10. Primeiros socorros



Para a eventualidade de acontecer um acidente, uma caixa de primeiros socorros deve estar sempre disponível no local de trabalho. Reponha imediatamente o material utilizado.

**Se precisar pedir ajuda, dê as seguintes informações:**

- Local do acidente
- O que aconteceu
- Número de feridos
- Tipo de ferimento
- Seu nome!

#### **NOTA:**

Pessoas com problemas circulatórios que são expostas muito frequentemente a vibrações podem sofrer disfunções dos vasos capilares ou do sistema nervoso.

Os seguintes sintomas podem surgir devido a vibrações nos dedos, nas mãos ou nos pulsos: adormecimento de partes do corpo, formigamentos, dores, pontadas, alteração da cor da pele ou da pele.

**Se forem constatados estes sintomas, consulte um médico!**

**Para reduzir o risco de “doença de branqueamento dos dedos”, mantenha suas mãos aquecidas, use luvas e certifique-se de que a corrente da serra está afiada.**

#### 4. Dados técnicos

		EA3200S	EA3201S EA3201SG	EA3202S	EA3203S EA3203SG
Cilindrada unitária	cm <sup>3</sup>	32			
Perfuração	mm	38			
Avanço	mm	28,2			
Capacidade máx. por número de rotações	kW / 1/min	1,35 / 10.000			
Momento angular por número de rotações	Nm / 1/min	1,6 / 7.000			
Marcha lenta / velocidade máx. do motor com barra e corrente	1/min	2.800 / 12.800			
Velocidade de acoplamento da embreagem	1/min	4.100			
Nível de pressão acústica (no local de trabalho) L <sub>WA, eq</sub> de acordo com ISO 22868 <sup>1) 3)</sup>	dB (A)	102,6 / K <sub>PA</sub> = 2,5			
Nível de capacidade acústica L <sub>WA, FI+Ra</sub> de acordo com ISO 22868 <sup>1) 2) 3)</sup>	dB (A)	111,5 / K <sub>WA</sub> = 2,5			
Capacidade oscilante a <sub>nv, eq</sub> de acordo com ISO 22867 <sup>1) 3)</sup>					
- Punho tubular	m/s <sup>2</sup>	4,8 / K = 2,0			
- Punho traseiro	m/s <sup>2</sup>	4,8 / K = 2,0			
Carburador	Tipo	Carburador de membrana			
Sistema de ignição	Tipo	electrónico			
Vela de ignição	Tipo	NGK CMR6A			
ou vela de ignição	Tipo	--			
Distância de eletrodos	mm	0,6			
Consumo de combust. com capacidade máx. por ISO 7293	kg/h	0,68			
Consumo espec. com capacidade máx. de acordo com ISO 7293	g/kWh	500			
Capacidade do tanque de combustível	cm <sup>3</sup>	400			
Conteúdo do tanque de óleo de corrente	cm <sup>3</sup>	280			
Proporção da mistura (combustível/óleo de 2 ciclos)					
- quando utilizar óleo MAKITA		50 : 1			
- quando utilizar outros óleos		25 : 1 (Nível de qualidade JASO FC ou ISO EGD)			
Freio de corrente		acionamento manual ou por recuo			
Velocidade de corrente (em número de rotações máx)	m/s	24,4			
Divisões da roda dentada	polegada	3/8			
Número de dentes	Z	6			
Peso (tanque vazio, sem corrente, barra guia e acessórios)	kg	4,1	4,2	4,0	4,1

<sup>1)</sup> Os dados consideram os estados operacionais da marcha em vazio, carga total e número de rotações máx. para peças iguais.

<sup>2)</sup> Figuras derivadas na parte igual de carga total e número de rotações máx.

<sup>3)</sup> Instabilidade (K=).

Modelos EA3201SG e EA3203SG aceitam gasolina brasileira (E25).

#### Corrente de serra e barra guia

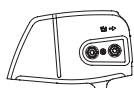
Tipo de corrente de serra		092 (91VG), 492 (91PX)		290 (90SG), 291 (90PX)	
Passo	polegada	3/8"			
Calibrador	mm (polegada)	1,3 (0,050")		1,1 (0,043")	
Tipo de barra guia		Barra da ponta da roda dentada			
Barra guia, comprimento de um corte	mm (polegada)	300 (12")	350 (14")	400 (16")	300 (12") 350 (14")
Número de elos de condução		46	52	56	46 52

**⚠ AVISO:** Use uma combinação apropriada de barra guia e corrente de serra. Caso contrário, isso pode provocar ferimentos pessoais.

## 5. Descrição das peças (Fig. 24)

- |    |  |    |   |
|----|--|----|---|
| 1  | Punho  | 13 | Bomba de combustível (Primer)                     |
| 2  | Cobertura  | 14 | Placa de identificação                            |
| 3  | Trava da capa protetora (sob a tampa da capa protetora)    | 15 | Punho de partida                                  |
| 4  | Punho tubular  | 16 | Interruptor combinado (afogador / liga / desliga) |
| 5  | Proteção para a mão (acionamento para o freio de corrente) | 17 | Alavanca de aceleração                            |
| 6  | Silenciador  | 18 | Botão de trava para segurança                     |
| 7  | Barra dentada (encosto de garra)                           | 19 | Proteção de mão traseira                          |
| 8  | Parafuso de tensão da corrente                             | 20 | Tampa do tanque de combustível                    |
| 9  | Porcas de fixação  | 21 | Parafusos de ajuste para carburador               |
| 10 | Pino pega corrente   | 22 | Caixa do ventilador com dispositivo de partida    |
| 11 | Proteção da roda dentada                                   | 23 | Tampa do tanque de óleo                           |
| 12 | Parafuso de ajuste para a bomba de óleo (lado inferior)    | 24 | Corrente (lâmina)                                 |
|    |  | 25 | Barra guia  |
|    |  | 26 | Aperto rápido proteção da roda guia (TLC)         |

## 6. COLOCAÇÃO EM SERVIÇO



### 6a. Apenas para os modelos com porcas de fixação na proteção da roda dentada



**ATENÇÃO:**  
Para todos os trabalhos na barra guia ou corrente, desligue o motor e puxe a tampa da vela de ignição (veja 7-6 “Troca da vela de ignição”). Use sempre luvas de proteção!



**ATENÇÃO:**  
Dê partida à motosserra somente depois de montá-la por completo e de ser inspecionada.

### 6a-1. Montagem da barra guia e da corrente de serra



#### (Fig. 25)

Utilize a chave universal fornecida com a motosserra para os trabalhos a seguir.

Coloque a motosserra sobre solo firme e siga os seguintes passos para a montagem da barra guia e da corrente da serra: Solte o freio de corrente, puxando para isso a proteção da mão (1) na direção da seta.

Desparafuse as porcas de fixação (2).

Retire a proteção da roda dentada (3).

#### (Fig. 26)

Gire o parafuso de regulagem da tensão da corrente (4) para a esquerda (sentido anti-horário) até que o pino (5) do tensionador da corrente esteja abaixo do pino roscado (6).

#### (Fig. 27)

Encaixe a barra guia (7). Certifique-se de que o pino (5) do tensionador de corrente se engata no orifício da barra guia.

#### (Fig. 28)

Eleve a corrente (9) sobre a roda dentada (8). Oriente a corrente por cima, cerca de metade da ranhura (10) na barra guia.

#### ATENÇÃO:

As arestas cortantes ao longo do topo da corrente de serra devem apontar na direção da seta!

#### (Fig. 29)

Puxe a corrente (9) em volta da ponta da roda dentada (11) da barra guia na direção da seta.

#### (Fig. 30)

Recoloque a proteção da roda dentada (3).



#### ATENÇÃO:

A corrente de serra tem de ser levantada acima do pino pega corrente (12).

Aperte as porcas (2) somente com as mãos para começar.

### 6a-2. Ajuste da tensão da corrente de serra

#### (Fig. 31)

Gire o parafuso de tensionamento da corrente (4) à direita (em sentido horário) até que a corrente de serra se prenda na ranhura do lado inferior da barra guia (veja círculo).

Eleve levemente a ponta da barra guia e gire o parafuso de regulagem da corrente (4) à direita (em sentido horário) até que a corrente repouse contra o lado inferior da barra guia.

Enquanto ainda estiver segurando a ponta da barra guia, aperte as porcas de fixação (2) com a chave universal.

### 6a-3. Verificação da tensão da corrente



#### (Fig. 32)

A tensão da corrente está correta quando ela encostar no lado inferior da barra guia e ainda puder ser puxada facilmente com a mão.

Para isso, o freio de corrente deve ser solto.

Verifique frequentemente a tensão da corrente, pois as correntes novas tendem a alargar!

Quando verificar a tensão da corrente, o motor deve ser desligado.

#### INDICAÇÃO:

Recomenda-se utilizar 2-3 correntes de serra alternadamente. Para que o desgaste da barra guia seja uniforme, ela deve ser virada quando a corrente for trocada.

## 6b. Apenas para barra guia “QuickSet”



#### ATENÇÃO:

**Para todos os trabalhos na barra guia ou corrente, desligue o motor e puxe a tampa da vela de ignição (veja 7-6 “Troca da vela de ignição”). Use sempre luvas de proteção!**



#### ATENÇÃO:

**Dê partida à motosserra somente depois de montá-la por completo e de ser inspecionada.**

Na barra guia “QuickSet” o ajuste da tensão da corrente é feito através de um sistema de cremalheira na barra guia, que torna mais fácil o ajuste posterior da corrente. Este modelo não apresenta mais um tensionador de corrente convencional. A barra guia “QuickSet” é reconhecida através do seguinte desenho:



### 6b-1. Montagem da barra guia e da corrente de serra



#### (Fig. 34)

Utilize a chave universal fornecida com a motosserra para os trabalhos a seguir.

Coloque a motosserra sobre solo firme e siga os seguintes passos para a montagem da barra guia e da corrente da serra: Solte o freio de corrente, puxando para isso a proteção da mão (1) na direção da seta.

Desparafuse as porcas de fixação (2).

Retire a proteção da roda dentada (3).

#### (Fig. 35)

Coloque a barra guia (4) e empurre-a contra a roda dentada (5).

#### (Fig. 36)

Eleve a corrente (6) sobre a roda dentada (5).

Oriente a corrente por cima, cerca de metade da ranhura (7) na barra guia.

### 6a-4. Retensionamento da corrente de serra

#### (Fig. 33)

**Solte mais ou menos uma volta os parafusos de fixação (2) com a chave combinada.**

Eleve levemente a ponta da barra guia e gire o parafuso de regulagem da corrente (4) à direita (em sentido horário) até que a corrente repouse contra o lado inferior da barra guia (veja círculo).

Enquanto mantém a ponta da barra guia elevada, aperte as porcas de fixação (2) novamente com a chave universal.

#### ATENÇÃO:

As arestas cortantes ao longo do topo da corrente de serra devem apontar na direção da seta!

#### (Fig. 37)

Puxe a corrente (6) em volta da ponta da roda dentada (8) da barra guia na direção da seta.

#### (Fig. 38)

Substitua a proteção de roda dentada (3).



#### ATENÇÃO:

**Eleve a corrente de serra sobre o pino pega corrente (9).**

Aperte as porcas (2) somente com a mão para começar.

### 6b-2. Ajuste da tensão da corrente de serra

#### (Fig. 39)

Gire o tense de corrente “QuickSet” (10) para a direita (em sentido horário) com a chave universal até que a corrente de serra engate na ranhura guia da parte inferior da barra guia (se necessário, puxe levemente a corrente).

Elevar levemente a ponta do carril de serra e girar o tensor de corrente (10) até que a corrente de serra encoste na parte inferior do carril (veja círculo).

Enquanto ainda estiver segurando a ponta da barra guia, aperte as porcas de fixação (2) com a chave universal.

**NOTA:** Se a barra guia foi virada, gire o tensionador da corrente para a esquerda (em sentido anti-horário) para apertar a corrente.

### 6b-3. Verificação da tensão da corrente



#### (Fig. 40)

A tensão da corrente está correta quando ela encostar no lado inferior da barra guia e ainda puder ser puxada facilmente com a mão.

Para isso, o freio de corrente deve ser solto.

Verifique frequentemente a tensão da corrente, pois as correntes novas tendem a alargar!

Quando verificar a tensão da corrente, o motor deve ser desligado.

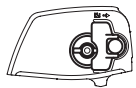
**INDICAÇÃO:** Recomenda-se utilizar 2-3 correntes de serra alternadamente.

Para que o desgaste da barra guia seja uniforme, ela deve ser virada quando a corrente for trocada.

### 6b-4. Retensionamento da corrente de serra

#### (Fig. 39)

**Solte as porcas de fixação (2) mais ou menos uma volta com a chave universal.** Eleve levemente a ponta da barra guia e gire o tensor de corrente “QuickSet” (10) para a direita (em sentido horário) até que a corrente de serra encoste novamente na parte inferior da barra guia (veja círculo). Enquanto ainda estiver segurando a ponta da barra guia, aperte as porcas de fixação (2) com a chave universal.



### 6c. Apenas para os modelos com tensionador rápido na proteção da roda dentada (TLC)



**ATENÇÃO:**  
Para todos os trabalhos na barra guia ou corrente, desligue o motor e puxe a tampa da vela de ignição (veja 7-6 “Troca da vela de ignição”). Use sempre luvas de proteção!



**ATENÇÃO:**  
Dê partida à motosserra somente depois de montá-la por completo e de ser inspecionada.

#### 6c-1. Montagem da barra guia e da corrente de serra



#### (Fig. 41)

Coloque a motosserra sobre solo firme e siga os seguintes passos para a montagem da barra guia e da corrente da serra: Solte o freio de corrente, puxando para isso a proteção da mão (1) na direção da seta.

Dobre o tensionador rápido da proteção da roda dentada (2) (veja também a figura “Ajustar a tensão da corrente de serra”). Empurre o tensionador rápido da proteção da roda dentada contra a tensão da mola e gire devagar no **sentido anti-horário** até sentir o engate. Continue a empurrar e girar o máximo possível no sentido anti-horário.

Solte novamente o tensionador rápido da proteção da roda dentada e gire no **sentido horário** para colocá-lo na posição inicial. Repita este procedimento até que a proteção da roda dentada (4) esteja desparafusada.

Retire a proteção da roda dentada (4).

#### (Fig. 42)

Coloque a barra guia (5) e empurre contra a roda dentada (6).

#### (Fig. 43)

Eleve corrente (8) sobre a roda dentada (7).

Oriente a corrente por cima, cerca de metade da ranhura (9) na barra guia.

#### **ATENÇÃO:**

As arestas cortantes ao longo do topo da corrente de serra devem apontar na direção da seta!

#### (Fig. 44)

Conduzir a corrente de serra (8) em volta da estrela defletora (10) do carril de serra, puxando a corrente de serra levemente na direção da seta.

#### (Fig. 45)

Alinhe o orifício na proteção da roda dentada (4) com o pino (11).

Girar o tensor de corrente (3, veja 6c-2 “Ajuste da tensão da corrente de serra”) para alinhar o pino do tensionador da corrente (12) ao orifício da barra guia.

Empurre a proteção da roda dentada (4) na direção do pino (11).

#### 6c-2. Ajuste da tensão da corrente de serra

#### (Fig. 46)

Para aparafusar a proteção da roda dentada, porém sem apertar ainda, empurre com força e, ao mesmo tempo, gire o tensionador rápido da proteção da roda dentada (2), no sentido horário.

Eleve levemente a ponta da barra guia e gire o tensionador de corrente (3) para a direita (em sentido horário) até que a corrente da serra repouse contra o lado inferior da barra guia. (veja círculo).

Empurre novamente o tensionador rápido da proteção da roda da corrente (2) e aperte no sentido horário.

#### (Fig. 47)

Solte o tensionador de corrente da proteção da roda dentada até que possa ser girado livremente e fixe-o entre as nervuras de proteção (15), conforme mostrado na ilustração.

### 6c-3. Verificação da tensão da corrente



#### (Fig. 48)

A tensão da corrente está correta, quando ela encostar no lado inferior da barra guia e ainda puder ser puxada facilmente com a mão.

Para isso, o freio de corrente deve ser solto.

Verifique frequentemente a tensão da corrente, pois as correntes novas tendem a alargar!

Quando verificar a tensão da corrente, o motor deve ser desligado.



**INDICAÇÃO:** Recomenda-se utilizar 2-3 correntes de serra alternadamente.

Para que o desgaste da barra guia seja uniforme, ela deve ser virada quando a corrente for trocada.

## 6c-4. Retensionamento da corrente de serra

### (Fig. 49)

Para retensionar a corrente de serra, deve-se soltar o tensionador rápido (2) ligeiramente, conforme descrito em “Montagem da barra guia e da corrente de serra”.

O ajuste da tensão da corrente é efetuado como descrito anteriormente.

## Para todos os modelos

### 6-5. Freio de corrente



Os modelos EA3200S, EA3201S, EA3202S, EA3203S, EA3201SG, EA3203SG são equipados com um freio de corrente acionado por velocidade. Em caso de um recuo causado pelo contato da ponta do carril com a madeira (veja o capítulo “INDICAÇÕES DE SEGURANÇA”, 3-6 “Rebote” e Fig. 11), o freio de corrente é ativado por inércia se o recuo for suficientemente forte.

A corrente de serra irá parar em uma fração de segundo.

**O freio de corrente é instalado para bloquear a corrente de serra antes de dar partida e para pará-la imediatamente no caso de uma emergência.**

**ATENÇÃO: NUNCA coloque a serra em funcionamento com o freio de serra ativado** (a não ser em caso de teste, veja 6-13 “Verificação do freio de corrente”), **do contrário podem ocorrer em curto espaço de tempo consideráveis danos ao motor.**

**SEMPRE solte o freio de corrente antes de começar o trabalho!**



### (Fig. 50)

#### Engate do freio da corrente (frear)



Se houver um recuo suficientemente forte, a aceleração repentina da barra guia combinada com a inércia da proteção de mão (1) atuará **automaticamente** o freio da corrente.

Para engatar manualmente o freio de corrente, simplesmente empurre a proteção de mão (1) para frente (em direção à ponta da serra) com sua mão esquerda (seta 1).

#### Liberação do freio de corrente



Puxe a proteção de mão (1) em sua direção (seta 2), até que o engate seja percebido. O freio de corrente está agora solto.

## 6-6. Combustível



### ATENÇÃO:

**Esta serra funciona com produtos de óleo mineral** (gasolina e óleo)!

**Os trabalhos que envolvem combustível exigem muita atenção.**

**É proibido fumar ou produzir qualquer tipo de fogo aberto** (perigo de explosão).

### Mistura de combustível

O motor deste equipamento é um motor de dois tempos de alto desempenho arrefecido a ar. Este funciona com uma mistura de combustível e óleo de motor de dois tempos. O motor foi concebido para a utilização com gasolina normal sem chumbo, com um índice de octanagem mínimo de 91 ROZ. Se tal combustível não estiver disponível, também é possível utilizar um combustível com um índice de octanagem mais alto. Isto não afetará o motor.

Modelos EA3201SG e EA3203SG aceitam gasolina brasileira (E25).

**Para um funcionamento ideal do motor, assim como para a proteção da saúde e do meio-ambiente, utilize sempre combustível sem chumbo!**

Para a lubrificação do motor, deve ser utilizado um óleo sintético para motor de dois tempos arrefecido a ar (padrão de qualidade JASO FC ou ISO EGD), o qual é adicionado ao combustível. O motor foi projetado para uso com o óleo de dois tempos de alto desempenho MAKITA, com uma proporção de mistura de 50:1, não prejudicial para o meio-ambiente. Isto garante a longa durabilidade e um funcionamento fiável e com poucos gases de escape. O óleo de dois tempos de alto desempenho MAKITA pode ser fornecido nos seguintes tamanhos, de acordo com a necessidade de uso:

1 | N° de encomenda 980 008 607  
100 ml | N° de encomenda 980 008 606

Se o óleo de dois tempos de alto desempenho MAKITA não estiver disponível, é absolutamente necessário manter uma proporção de mistura de 25:1, pois do contrário não pode ser garantido o funcionamento perfeito.

**Atenção: não utilizar misturas prontas dos postos de gasolina!**

### Proporção de mistura correta:

**50:1** Quando utilizar o óleo de dois ciclos de alto desempenho MAKITA, misture 50 partes de combustível para uma parte de óleo.

**25:1** Quando utilizar outros óleos sintéticos para motores de dois tempos (padrão de qualidade JASO FC ou ISO EGD), misture 25 partes de combustível com uma parte de óleo.

Gasolina	50:1	25:1
1.000 cm <sup>3</sup> (1 Litro)	20 cm <sup>3</sup>	40 cm <sup>3</sup>
5.000 cm <sup>3</sup> (5 Litros)	100 cm <sup>3</sup>	200 cm <sup>3</sup>
10.000 cm <sup>3</sup> (10 Litros)	200 cm <sup>3</sup>	400 cm <sup>3</sup>

#### NOTA:

Para preparar a mistura combustível-óleo, primeiro misture toda a quantidade de óleo com metade do combustível necessário, depois adicione o combustível restante. Agite bem a mistura antes de abastecer o tanque da serra da corrente.

**Não é prudente adicionar mais óleo de motor do que o especificado para assegurar a operação segura. Isso resultará somente em uma produção mais alta de resíduos de combustão que poluirão o meio ambiente e obstruirão o canal de escape no cilindro, assim como o silencioso. Além disso, o consumo de combustível aumentará e o desempenho diminuirá.**

#### Armazenamento de combustível

A duração do armazenamento de combustíveis é limitada. O combustível e as misturas de combustível envelhecem por evaporação, principalmente sob a influência de temperaturas altas. Assim, o combustível ou as misturas de combustível armazenados por muito tempo podem causar problemas de

partida e danos no motor. Compre somente a quantidade de combustível que será consumida dentro de alguns meses. O combustível misturado sob a influência de altas temperaturas deve ser consumido em 6 a 8 semanas.

**Armazene o combustível somente em recipientes apropriados, em local seco, fresco e seguro!**

#### EVITE O CONTATO COM A PELE E COM OS OLHOS

Produtos de óleo mineral removem a oleosidade da pele. Se a sua pele tiver contato com essas substâncias repetidamente ou por tempo prolongado, ela ressecará. Isso pode resultar em várias doenças de pele. Além disso são conhecidos casos de reações alérgicas. Os olhos podem ficar irritados pelo contato com o óleo. Em caso de contato com os olhos, lave imediatamente a parte atingida com água limpa. Se a irritação persistir, procure imediatamente um médico!

## 6-7. Óleo de corrente de serra



Para a lubrificação de corrente de serra e barra guia deve ser utilizado um óleo de corrente de serra com aditivo de aderência. O aditivo de aderência no óleo de corrente de serra evita que o óleo seja lançado rapidamente pela corrente.

Em respeito ao meio-ambiente, é recomendável o uso de um óleo biodegradável. O uso deste tipo de óleo é em parte recomendado por entidades públicas regionais.

O óleo de corrente de serra BIOTOP, vendido pela MAKITA, é produzido com base em óleos vegetais selecionados e é 100% biodegradável. BIOTOP é designado como “anjo azul” por ser particularmente propício ao meio ambiente” (RAL UZ 48).



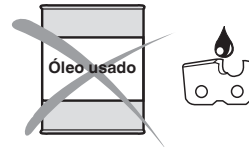
O óleo de corrente BIOTOP está à venda nos seguintes tamanhos:

1 l	Nº de encomenda 980 008 610
5 l	Nº de encomenda 980 008 611

O óleo de corrente biodegradável é estável somente por um período limitado de tempo devem ser utilizados em até 2 anos após com a data de fabricação marcada.

#### Nota importante sobre óleos de corrente biodegradáveis

Antes de uma longa colocação fora de serviço, o tanque de óleo deve ser esvaziado e a seguir abastecido com uma pequena quantidade de óleo de motor (SAE 30). Então deixe a motosserra funcionar por algum tempo, para que todo o restante do óleo biodegradável seja expelido do tanque, do sistema de alimentação de óleo, da corrente e da barra guia. Esta medida é necessária, já que diversos óleos biodegradáveis possuem uma tendência a colar, o que pode causar danos à bomba de óleo ou outras peças. Na próxima vez que utilizar a serra, abasteça novamente com óleo de corrente BIOTOP. Em caso de danos causados pela utilização de óleo usado ou de um óleo de corrente não apropriado, a garantia ficará anulada e sem efeito. Seu revendedor autorizado pode informar sobre a utilização de óleo de corrente.



#### NUNCA UTILIZE ÓLEO USADO

Óleo usado é perigosíssimo para o meio ambiente.

Óleos usados contêm altas quantidades de substâncias cujo efeito é comprovadamente cancerígeno.

Os resíduos no óleo usado provocam um grande desgaste da bomba de óleo e do dispositivo de serrar.

Em caso de danos causados pela utilização de óleo usado ou de um óleo de corrente de serra não apropriado, a garantia ficará anulada e sem efeito.

Seu revendedor autorizado pode informar sobre a utilização de óleo de corrente.

#### EVITE O CONTATO COM A PELE E COM OS OLHOS



Produtos de óleo mineral removem a oleosidade da pele. Se a sua pele tiver contato com essas substâncias repetidamente ou por tempo prolongado, ela ressecará. Isso pode resultar em várias doenças de pele. Além disso são conhecidos casos de reações alérgicas. Os olhos podem ficar irritados pelo contato com o óleo. Em caso de contato com os olhos, lave imediatamente a parte atingida com água limpa. Se a irritação persistir, procure imediatamente um médico!

## 6-8. Abastecimento de combustível e óleo de corrente

### SIGA AS INDICAÇÕES DE SEGURANÇA!

O manuseamento de combustíveis exige muito cuidado. Só com o motor desligado!

Limpe bem a área em torno das tampas para que não penetrem impurezas na mistura de combustível ou no tanque de óleo.

### (Fig. 51)

Desatarraxe a tampa do tanque (se necessário utilize a chave universal, veja ilustração) e abasteça com a mistura de combustível ou com óleo de corrente de serra até a borda inferior do gargalo de enchimento. Cuidado para não derramar a mistura de combustível ou óleo de corrente!



Óleo de corrente



Mistura de combustível/óleo

Atarraxe a tampa do tanque **com a mão até o final**.

**Após abastecer, limpe a tampa do tanque e a área ao redor do tanque.**



### Lubrificação da corrente

Durante a operação deve haver sempre óleo de corrente suficiente no tanque para fornecer boa lubrificação à corrente. Com uma quantidade média de injeção de óleo, o tanque de óleo mantém o suficiente para a operação que requeira um tanque de combustível. Durante este procedimento, verifique se há óleo de corrente suficiente no tanque e reabasteça se necessário.

**Faça isso somente com o motor desligado!**

Atarraxe a tampa do tanque **com a mão até o final**.

### ATENÇÃO:

Tenha cuidado para não deixar a tampa do tanque tocar no silencioso. O silencioso quente pode deformá-la.

## 6-9. Verificação da lubrificação da corrente

Nunca serre com lubrificação insuficiente. Isso diminui a vida útil da corrente e da barra guia.

Antes de iniciar o trabalho, verifique a quantidade de óleo no tanque e a alimentação de óleo.

A alimentação de óleo pode ser verificada da seguinte forma: Dê partida à motosserra. (veja capítulo 6-11 "Partida do motor").

### (Fig. 52)

Segure a motosserra em funcionamento aproximadamente 15 cm acima de um tronco de árvore ou do solo (utilize base apropriada).

Se a lubrificação for suficiente, você verá vestígios de óleo porque o óleo será espirrado do aparelho de serrar. Observe a direção do vento e evite a exposição desnecessária à névoa de óleo!



### Nota:

Depois de desligar a serra, é normal que o óleo de corrente residual pingue do sistema de alimentação de óleo, da barra guia e da corrente por um tempo. Isso não significa um defeito! Coloque a serra sobre uma superfície adequada.

## 6-10. Ajuste da lubrificação da corrente

O motor deve estar desligado!

### (Fig. 53)

A quantidade de óleo pode ser regulada com o parafuso de ajuste (1). O parafuso de ajuste encontra-se na parte inferior do corpo do equipamento.

A bomba de óleo foi ajustada de fábrica para uma quantidade mínima de óleo. Você pode ajustar a quantidade de injeção em mínima e máxima.

Para alterar a quantidade de injeção gire o parafuso de regulagem com uma chave de fenda pequena:

- para a direita para uma quantidade de injeção maior
- para a esquerda para uma quantidade de injeção menor.

De acordo com o comprimento da barra guia selecione uma das duas regulagens possíveis.

Durante o trabalho, certifique-se de que haja óleo de corrente suficiente no tanque. Se necessário, adicione óleo.

### (Fig. 54)

Para garantir o perfeito funcionamento da bomba de óleo, a ranhura de alimentação de óleo na caixa do motor (2) e os orifícios de entrada de óleo na barra guia (3) devem ser limpos regularmente.

### Nota:

Depois de desligar a serra, é normal que o óleo de corrente residual pingue do sistema de alimentação de óleo, da barra guia e da corrente por um tempo. Isso não significa um defeito! Coloque a serra sobre uma superfície adequada.

## 6-11. Partida do motor



Dê partida à motosserra somente depois de montá-la por completo e de ser inspecionada.

### (Fig. 55)

Mantenha no mínimo 3 metros de distância do local de abastecimento.

Posicione-se com firmeza e coloque a motosserra no chão de maneira que a barra guia e a corrente não estejam próximas a nada.

Acione o freio de corrente (bloquear).

Segure o punho frontal firmemente com uma mão e pressione a motosserra contra o chão.

Coloque a ponta do pé direito na proteção da mão traseira.

**Nota:** Através do sistema de partida fácil de mola a motosserra pode ser acionada sem muito esforço. Efetue o processo de partida de modo rápido e uniforme!

### (Fig. 56)

#### Interruptor combinado



— Partida a frio (Afogador)

— Partida a quente (ON)

— Desligar o motor



— **Posição de segurança** (corrente de ignição interrompida: necessário para os trabalhos de manutenção e montagem)

#### Partida a frio:

Acione a bomba de combustível (5) através de pressões sucessivas, até que se possa ver o combustível.

Mova o interruptor combinado (1) para cima (posição do afogador). Com isso é acionada a trava de meia potência do acelerador.

Puxe o punho de partida (2) de forma rápida e uniforme.

**Atenção:** Não puxe o cabo de partida mais que cerca de 50 cm e deixe-o voltar lentamente com a mão.

Repita 2 vezes o processo de partida.

Mova o interruptor combinado (1) para a posição do meio “Liga” (ON). Puxe novamente de forma rápida e uniforme o punho de partida. No momento em que o motor entrar em funcionamento, pegue no punho traseiro (o botão de trava de segurança (3) é acionado pela palma da mão) e pressione levemente o acelerador (4).

**ATENÇÃO:** Após a partida, o motor deve ser imediatamente colocado em marcha lenta. Se isso não for feito, a embreagem pode ficar danificada.

Agora, solte o freio de corrente.




#### Partida a quente:

Proceda como descrito na partida a frio, porém, antes da partida, mova o interruptor combinado (1) para cima (posição do afogador) e logo em seguida de novo na posição do meio “Liga” (ON). Isso é para acionar a trava de meia potência do acelerador. Se o motor não der partida depois de duas ou três puxadas, repita todo o procedimento de partida como descrito na partida a frio.


**NOTA:** Se o motor for desligado apenas por um curto tempo, a partida pode ser feita sem acionar o interruptor combinado.

**Importante:** Caso o tanque de combustível se esvazie totalmente durante o funcionamento e o motor parar em função da falta de combustível, acione a bomba de combustível (5) pressionando várias vezes depois do abastecimento até que seja possível ver combustível na bomba.

## 6-12. Desligamento do motor

Pressione o interruptor combinado (1) na posição .

**NOTA:** O interruptor combinado volta para a posição “ON” depois de ser pressionado. O motor está desligado, mas pode ser ligado sem acionar novamente o interruptor combinado.

**ATENÇÃO:** Para interromper a corrente de ignição, pressione interruptor combinado além da resistência, para a posição de segurança .

## 6-13. Verificação do freio de corrente



### A verificação do freio de corrente deve ser realizada sempre antes de iniciar o trabalho.

Dê partida ao motor como descrito (posicione-se com firmeza e coloque a motosserra no chão de maneira que a corrente e a barra guia não toque em nada).

### (Fig. 57)

Segurar o punho frontal com firmeza com uma mão e mantenha a outra no manípulo traseiro.

Deixe o motor funcionar com número de rotações médio e pressione a proteção de mão (6) com as costas da mão na direção da seta, até que o freio de corrente bloqueie.

A corrente deve agora parar imediatamente.

Coloque o motor imediatamente em posição de marcha em vazio e solte novamente o freio de corrente.

**Atenção:** Se a corrente não parar imediatamente neste teste, desligue o motor imediatamente. NÃO use a motosserra nesta condição! Entre em contato com um centro de assistência autorizado MAKITA.

## 6-14. Regulagem do carburador

(Fig. 58)

**ATENÇÃO:** A regulagem do carburador pode ser feita somente por um centro de assistência autorizado MAKITA!



### SERVIÇO

Somente o parafuso de ajuste (S) pode ser manipulado pelo usuário. Se a ferramenta de corte funcionar com a marcha em vazio (alavanca do acelerador não é acionada), é imperterível corrigir a velocidade em marcha lenta!

A regulagem da marcha em vazio só pode ser feita depois da montagem completa e testes da serra!

A regulagem da velocidade em marcha lenta deve ser feita com o motor aquecido, filtros de ar limpos e a montagem adequada da barra guia e da corrente.

Faça a regulagem com uma chave de fenda (largura da lâmina 4 mm).

Regulagem da velocidade em marcha lenta

**Gire o parafuso de ajuste (S)** em sentido anti-horário: a velocidade em marcha lenta diminui.

**Gire o parafuso de ajuste (S)** em sentido horário: a velocidade em marcha lenta aumenta.

**Importante:** Se a ferramenta de corte não parar mesmo depois da regulagem da velocidade em marcha lenta, **NÃO** use a serra. Leve-a ao centro de assistência autorizado MAKITA!



## 7. MANUTENÇÃO

### 7-1. Afição da corrente de serra



**ATENÇÃO:** Em todos os trabalhos na barra guia ou corrente, desligue o motor e puxe a tampa da vela de ignição (veja 7-6 “Troca da vela de ignição”). Use sempre luvas de proteção!

#### (Fig. 59)

##### A corrente deve ser afiada quando:

a serragem produzida quando serra madeira umedecida parecer pó de madeira.

a corrente só penetra na madeira com muito esforço, apesar de forte pressão.

a extremidade de corte de corte estiver visivelmente avariada.

a serra corre na madeira para a esquerda ou para a direita. Isso é causado pela afiação sem uniformidade da corrente.

**Importante: afie regularmente, mas sem tirar muito metal!**

Geralmente são suficientes 2-3 passadas de lima.

Leve a corrente para afiar no centro de assistência autorizado quando já tiver afiado a corrente por si mesmo várias vezes.

##### Afiação correta:

**ATENÇÃO:** Utilize somente correntes e barras guia projetadas para esta serra (veja 10 “Sumário da lista de peças sobressalentes”)!

#### (Fig. 60)

Todos os dentes devem ter o mesmo comprimento (medida a). Dentes diferentes significam funcionamento difícil da corrente e podem causar rachaduras na mesma!

Comprimento mínimo do dente de aparas: 3 mm. Não afie novamente a corrente de serra se o comprimento mínimo do dente de aparas tiver sido alcançado. Neste caso, deve ser substituída por uma nova corrente de serra (veja 10 “Sumário da lista de peças sobressalentes” e capítulo 7-4 “Substituição da corrente de serra”).

A profundidade do corte é determinado pela diferença na altura entre o limitador de profundidade (nariz redondo) e a extremidade de corte.

Os melhores resultados de corte são alcançados com uma distância de limitador de profundidade de 0,64 mm (.025”).



**ATENÇÃO:** Uma distância muito grande aumenta o perigo de recuo!



#### (Fig. 61)

O ângulo de afiação ( $\alpha$ ) deve ser idêntico para todos os dentes!

30° para o tipo de corrente 092 (91VG), 492 (91PX), 290 (90SG), 291 (90PX)

Os dentes terão o ângulo apropriado ( $\beta$ ) automaticamente se a lima redonda apropriada por utilizada.

80° para o tipo de corrente 092 (91VG), 492 (91PX)

75° para o tipo de corrente 290 (90SG), 291 (90PX)

Ângulos diferentes resultam em funcionamento difícil e irregular da corrente, aumento do desgaste e causam quebra da corrente.

### Limas e como usá-las

Para afiar é necessário utilizar uma lima redonda especial para corrente de serra. Limas redondas normais não são apropriadas. Veja 10 “Sumário da lista de peças sobressalentes”.

**Tipo 092 (91VG), 492 (91PX):** Lima redonda da corrente de serra  $\varnothing$  4,0 mm.

**Tipo 290 (90SG), 291 (90PX):** Lima redonda da corrente de serra  $\varnothing$  4,5 mm.

#### (Fig. 62)

A lima só pode ser conduzida para frente (seta). Levante a lixa quando conduzi-la para trás.

O dente mais curto é o primeiro que deve ser afiado. O comprimento deste dente é então a medida nominal para todos os outros dentes da corrente.

Os dentes novos que forem montados devem ser afiados exatamente à forma dos dentes usados, incluindo em suas superfícies de funcionamento.

Aplique a lima dependendo do tipo de corrente (90° ou 10° em relação à barra guia).

#### (Fig. 63)

Um suporte de lima facilita a condução da lima. Ele possui marcas para o ângulo de afiar correto de

$$\alpha = 30^\circ$$

(alinhe as marcas paralelas à corrente de serra, veja a ilustração) e limite a profundidade de corte (4/5 do diâmetro da lima).

#### (Fig. 64)

Após afiar a corrente, verifique a altura do limitador de profundidade com o calibre de medição de corrente. Veja 10 “Sumário da lista de peças sobressalentes”.

Corrija até mesmo a menor das saliências com uma lima chata especial (1). Veja 10 “Sumário da lista de peças sobressalentes”.

Arredonde novamente o limitador de profundidade na frente (2).

### 7-2. Limpeza do compartimento interno da roda dentada



**ATENÇÃO:** Em todos os trabalhos na barra guia ou corrente, desligue o motor e puxe a tampa da vela de ignição (veja 7-6 “Troca da vela de ignição”). Use sempre luvas de proteção!

**ATENÇÃO:** Dê partida à motosserra somente depois de montá-la por completo e de ser inspecionada.

#### (Fig. 65)

Retire a proteção da roda dentada (1) (veja Capítulo 6 “Colocação em serviço” do respectivo modelo) e limpe a parte interna com um pincel.

Retire a corrente (2) e a barra guia (3).

##### NOTA:

Certifique-se de que não haja resíduos ou corpo estranho na ranhura da guia de óleo (4) e no tensionador de corrente (5). Para instalar a barra guia, corrente de serra e proteção da roda dentada, veja o capítulo 6 “Colocação em serviço” do respectivo modelo.

##### NOTA:

**O freio de corrente é um dispositivo de segurança muito**

importante e como todas as outras partes também está sujeito a um certo desgaste.

A verificação e a manutenção regulares são importantes para a sua própria segurança e devem ser realizadas por um centro de assistência autorizado MAKITA.



### 7-3. Limpeza da barra guia



**ATENÇÃO:** Deve-se usar luvas de proteção.

#### (Fig. 66)

As superfícies de rolamento da barra guia (7) devem ser regularmente verificadas quanto a avarias e limpas com ferramentas apropriadas.

Mantenha limpos ambos os orifícios de entrada de óleo (6) e toda a barra guia!

### 7-4. Substituição da corrente de serra



**ATENÇÃO:** Use somente correntes e barras guia projetadas para esta serra!

#### (Fig. 67)

Antes de colocar uma nova corrente de serra, verifique a roda dentada.

Rodas gastas (8) conduzem a avarias numa corrente de serra nova, sendo portanto imprescindível substituí-las.

Retire a proteção da roda dentada (1) (veja o capítulo 6 "COLOCAÇÃO EM SERVIÇO").

Retire a corrente e a barra guia.

Retire a arruela (9).

**CUIDADO:** A arruela salta para fora da ranhura. Ao retirá-la, segure seu dedo contra a mesma para evitar que pule.

Retire a arruela da cunha (11).

Se a roda dentada (8) estiver gasta, o tambor completo de embreagem (12) tem que ser trocado.

Instale o novo tambor completo de embreagem (12), a arruela da cunha (11) e a nova arruela (9).

Para substituição da barra guia, corrente e roda dentada, veja o capítulo 6 "COLOCAÇÃO EM SERVIÇO".

#### **NOTA:**

Não utilize uma corrente nova em uma roda de corrente gasta. Quando 2 correntes já tenham sido gastas, a roda dentada já se desgastou, portando ela deve ser substituída pelo menos a cada segunda troca de corrente. Deixe a nova corrente correr alguns minutos em meia-aceleração, para que o óleo da corrente de serra seja distribuído homogeneamente.

Verifique com frequência a tensão da corrente de serra, pois correntes de serra novas se alargam (veja 6-3 "Verificação da tensão da corrente")!

### 7-5. Limpeza do filtro de ar



**ATENÇÃO:** Para evitar ferimentos aos olhos, use sempre proteção para os olhos quando limpar o filtro com ar comprimido!

Não use combustível para limpar o filtro de ar.

#### (Fig. 68)

Puxe a tampa da capa protetora (1).

Desparafuse (2) no sentido anti-horário e retire a cobertura (3).

Pressione o interruptor combinado (4) para cima (posição do afogador), para evitar que partículas sujas caiam no carburador.

Puxe a fita da cobertura do filtro de ar (5) levemente na direção da seta e remova a cobertura do filtro de ar.

Retire o filtro de ar (6).

**IMPORTANTE:** Cubra a abertura de sucção com um pano limpo, para evitar que partículas de sujeira caiam no carburador.

Limpe o filtro de ar que estiver muito sujo em água morna e detergente de lavar louça.

**Seque bem** o filtro de ar.

Se houver muita sujeira, limpe os filtros com maior frequência (várias vezes por dia), já que a potência do motor somente poderá ser assegurada quando o filtro de ar estiver limpo.

**ATENÇÃO:** Substitua de imediato filtros de ar danificados. Pedacos de tecido ou partículas grandes de sujeira podem destruir o motor.

Insira o filtro de ar (6) na direção ilustrada.

#### **ATENÇÃO:**

**Não insira o filtro de ar na posição invertida, mesmo depois de limpá-lo. Caso contrário, as partículas de sujeira na superfície externa do filtro de ar entram no carburador e podem causar problema do motor.**

Coloque a cobertura do filtro de ar.

**Nota:** A guia da cobertura do filtro de ar (5) engatará automaticamente se a cobertura do filtro de ar estiver posicionada corretamente.

Pressione o interruptor combinado (4) e pressione uma vez a alavanca do acelerador até ao fim (7) para desativar a trava do acelerador.

Coloque a cobertura (3). Ao assentar a cobertura, os pinos inferiores (8) devem engatar corretamente nos dois lados da cobertura (se a montagem estiver correta, os pinos não podem ficar visíveis).

Gire o parafuso (2) no sentido horário.

Retorne a tampa da capa protetora (1).

### 7-6. Troca da vela de ignição



#### **ATENÇÃO:**

**A vela de ignição e a tampa da vela não podem ser tocadas com o motor em funcionamento (alta tensão). Somente execute trabalhos de manutenção com o motor desligado. Quando o motor estiver quente, há perigo de queimaduras. Use luvas de proteção!**

A vela de ignição deve ser substituída no caso de dano ao isolador, erosão de eletrodos (queima) ou se os eletrodos estiverem muito sujados ou oleosos.

### (Fig. 69)

Retire a tampa (veja 7-11 "Limpeza do filtro de ar").  
Retire a tampa (9) da vela de ignição. Você pode remover a tampa da vela de ignição com as mãos.

#### Distância de eletrodos

A distância dos eletrodos deve ser de 0,6 mm.

**ATENÇÃO:** Use somente as velas de ignição NGK CMR6A.

### 7-7. Verificação da centelha de ignição



### (Fig. 70)

Pressione a vela de ignição (10) desparafusada com o cabo de ignição encaixado através de pinça isolada contra o cilindro (não na proximidade da abertura da vela de ignição). Pressione o interruptor combinado (11) na posição Liga (ON). Puxe com força o cabo de partida.

Se o funcionamento estiver perfeito, deve haver uma centelha visível perto dos eletrodos.

### 7-8. Verificação dos parafusos do silencioso



### (Fig. 71)

Desparafuse os 3 parafusos (12) e retire a caixa superior do silencioso (13).

**Nota:** Nas motosserras com catalizador (EA3200S, EA3201S, EA3201SG), retire o catalizador juntamente com a caixa superior do silencioso.

Agora os parafusos da caixa inferior do silencioso (14) estão acessíveis e podem ser verificados se estão apertados corretamente. Caso estejam soltos, aperte firmemente (Atenção: não aperte demais).

### 7-9. Troca do cabo de partida / Troca da caixa da mola de retorno / Troca da mola de partida



### (Fig. 72)

Desparafuse os três parafusos (1).

Retire a caixa do ventilador (2).

Retirar a guia de ar (3) do recipiente do ventilador.

**ATENÇÃO: Perigo de ferimento! Não solte o parafuso (7) se a mola de retorno estiver sob tensão!**

No caso do cabo de partida ser substituído embora não esteja quebrado, será necessário primeiro destensionar a mola de retorno do tambor do cabo (13).

Neste caso, puxe o cabo pelo punho de partida totalmente para fora da caixa do ventilador.

Segure firmemente o tambor do cabo com uma mão, pressione com a outra mão o cabo para dentro do entalhe (14).

Deixe cuidadosamente o tambor do cabo girar, até que a mola de retorno esteja completamente destensionada.

Solte o parafuso (7) e retire o arrastador (8) e a mola (6).

Retire **cuidadosamente** o tambor do cabo.

Remova pedaços do cabo.

Enfie um novo cabo (Ø 3,0 mm, 900 mm de comprimento), como mostra a ilustração (não esqueça da arruela (10)) e dê um nó nas duas pontas.

Puxe o nó (11) para dentro do tambor do cabo (5).

Puxe o nó (12) para dentro do punho de partida (9).

Montar o tambor de corda, girando levemente, até que a mola de retorno prenda.

Coloque a mola (6) no arrastador (8) e insira-os juntos no tambor do cabo (5), girando levemente em sentido anti-horário. Insira o parafuso (7) e aparafuse.

Insira o cabo pelo entalhe (14) no tambor do cabo e gire o tambor com o cabo três vezes em sentido horário.

Segure o tambor do cabo com firmeza na mão esquerda, com a mão direita elimine as torções do cabo, estique e segure o cabo.

Solte cuidadosamente o tambor do cabo. A mola enrolará o cabo em volta do tambor.

Repita o procedimento uma vez. O punho de partida deve agora ficar de pé na caixa do ventilador.

**NOTA:** Quando o cabo de partida estiver completamente puxado, deve ser possível continuar a girar o tambor do cabo no mínimo 1/4 de rotação contra a mola de retorno.

**ATENÇÃO: Perigo de ferimentos! Prenda a aderência do cabo quando puxado! Ele irá chicotear de volta se o tambor do cabo for solto por acaso.**

#### Substituição da caixa da mola de volta

Desmonte a caixa do ventilador e o tambor do cabo (veja acima).

**ATENÇÃO: Perigo de ferimento! A mola de retorno pode saltar para fora! Use sempre proteção para os olhos e luvas protetoras!**

Bata levemente sobre madeira o recipiente do ventilador com a superfície completa de apoio do lado oco e **segure**. Suspenda agora o recipiente do ventilador **cuidadosamente e aos poucos**, pois a caixa da mola de retorno caída para fora (13) pode ser dessa forma controladamente destensionada, no caso da mola de retorno pular para fora da caixa de plástico.

Insira com cuidado a nova caixa da mola de retorno e empurre para baixo até encaixar.

Coloque o tambor da corda, girando levemente até que a mola de retorno engate.

Monte a mola (6) e o arrastador (8) e fixe com o parafuso (7).

Tensione a mola (veja acima).

#### Substituição da mola de partida

**NOTA:** Se a mola (6) do sistema de arranque fácil estiver danificada, é necessário um esforço muito maior para a partida do motor, e pode-se sentir uma forte resistência ao puxar o cabo de partida. Se esta alteração no comportamento de partida for constatada, é preciso verificar a mola (6) e, se necessário, renová-la.

### 7-10. Montagem da caixa do ventilador

### (Fig. 72)

Inserir a guia de ar (3) no recipiente do ventilador, deixando com isso encaixar as três aberturas (4).

Posicione o recipiente do ventilador para o recipiente, pressione levemente contra e ao mesmo tempo puxe o punho de partida, até que o equipamento de partida se prenda.

Aperte firmemente os parafusos (1).

### 7-11. Limpeza do recipiente do filtro de ar / Limpeza do recipiente do ventilador



### (Fig. 73)

Retire a cobertura.

Retire o recipiente do ventilador.

**ATENÇÃO:** Para evitar ferimentos aos olhos, use sempre proteção para os olhos quando limpar o filtro com ar comprimido!

A área toda (15) pode ser limpa com escova e ar comprimido.

## 7-12. Limpeza das palhetas do cilindro

(Fig. 74)

Para limpar as palhetas do cilindro, pode-se utilizar uma escova para limpar garrafas.

## 7-13. Troca da cabeça de sucção



(Fig. 75)

O filtro de feltro (16) da cabeça de sucção pode ficar obstruída. Recomenda-se substituir a cabeça de sucção uma vez a cada três meses para assegurar o fluxo desimpedido de combustível para o carburador.

Para trocar a cabeça de sucção, puxe-a com um gancho de arame ou alicate de ponta através da abertura da tampa do tanque.

## 7-14. Instruções para manutenção periódica

Para uma longa vida útil, evitar avarias e assegurar o funcionamento completo dos atributos de segurança, os trabalhos de manutenção descritos abaixo devem ser realizados regularmente. Os direitos de garantia só são reconhecidos, se estes trabalhos tiverem sido executados regular e correctamente. A não observância pode causar acidentes!

O usuário da motosserra não deve executar trabalho de manutenção que não esteja descrito no manual de instruções. Tais trabalhos apenas podem ser executados por centro de assistência autorizado MAKITA.

			Seção
<b>Geral</b>	Motosserra	Limpar por fora e verificar quanto a avarias. No caso de avarias, solicite rápido um serviço técnico de reparo	
	Corrente de serra	Afiar regularmente, substituir a tempo	7-1
	Freio de corrente	Solicitar regularmente uma revisão pela oficina	
	Barra guia	Virar para que as superfícies carregadas sejam desgastadas com uniformidade. Substituir a tempo	6a - c 7-3
	Cabo de partida	Verificar quanto a avarias. Substituir em caso de avarias.	7-9
<b>Antes de cada partida</b>	Corrente de serra	Verificar quanto a avarias e desgaste Verificar a tensão da corrente	7-1 6a-3, 6b-3, 6c-3
	Barra guia	Verificar quanto a avarias	
	Lubrificação de corrente	Verificação do funcionamento	6-9
	Freio da corrente	Verificação do funcionamento	6-13
	Interruptor combinado, botão de trava de segurança, alavanca de aceleração	Verificação do funcionamento	6-11
	Tampa do tanque de combustível e óleo	Verificar a vedação	
<b>Diariamente</b>	Filtro de ar	Limpar (se necessário diariamente)	7-5
	Barra guia	Verificar quanto a avarias, limpar a perfuração de entrada de óleo	7-3
	Suporte da barra guia	Limpar, principalmente a ranhura de condução de óleo	6-10, 7-2
	Número de rotação na marcha em vazio	Controlar (a corrente não pode correr)	6-14
<b>Semanalmente</b>	Caixa do ventilador	Limpar para garantir a condução de ar de refrigeração em perfeito estado	5
	Recipiente do filtro de ar	Limpar para garantir a condução de ar de refrigeração em perfeito estado	7-11
	Recipiente do ventilador	Limpar para garantir a condução de ar de refrigeração em perfeito estado.	7-11
	Palhetas do cilindro	Limpar para garantir a condução de ar de refrigeração em perfeito estado	7-12
	Vela de ignição	Verificar e substituir se necessário	7-6, 7-7
	Silenciador	Verificar aperto de montagem, verificar os parafusos	5, 7-8
	Rententor da corrente	Verificar	5
	Parafusos e porcas	Verificar suas condições e se estão apertados com segurança	
<b>Trimestralmente</b>	Cabeça de sucção	Trocar	7-13
	Tanques de combustível e óleo	Limpar	
<b>Anualmente</b>	Motosserra	Solicitar uma inspecção completa da motosserra a um serviço de assistência técnica autorizado	
<b>Armazenamento</b>	Motosserra	Limpar por fora e verificar quanto a avarias No caso de avarias, solicitar rápido um serviço técnico de reparo	
	Barra guia/corrente	Desmontar, limpar e lubrificar levemente Limpar a ranhura de condução da barra guia	7-3
	Tanques de combustível e óleo	Esvaziar e limpar	
	Carburador	Funcionar vazio	



## 8. Serviço de oficina, peças sobressalentes e garantia

### Manutenção e reparos

A manutenção e conservação de motosserras modernas assim como de módulos relevantes para a segurança requerem uma instrução técnica qualificada e uma oficina equipada com ferramentas especiais e equipamentos de teste.

Todos os trabalhos não descritos neste Manual devem ser realizados por um centro de serviços autorizado MAKITA.

O especialista dispõe da instrução, da experiência e do equipamento necessários para oferecer-lhe a solução mais econômica e ajuda em qualquer situação. Distribuidores especializados MAKITA podem ser encontrados no site: [www.makita-outdoor.com](http://www.makita-outdoor.com)

Em consertos por terceiros ou por pessoas não autorizadas anula-se o direito de garantia.

### Peças sobressalentes

O funcionamento permanente fiável e a segurança de seu equipamento também depende da qualidade das peças sobressalentes. Utilize somente peças originais MAKITA.

Somente as peças originais garantem a mais alta qualidade em material, dimensões, funcionamento e segurança.

Os acessórios originais e as peças sobressalentes podem ser adquiridos em seu revendedor autorizado. Ele também dispõe das listas necessárias para determinar os números das peças desejadas e é continuamente informado sobre as últimas melhorias e as novas ofertas de peças.

Observe que quando forem utilizadas peças não originais MAKITA, não será possível oferecer os direitos de garantia.

### Garantia

A MAKITA garante a mais alta qualidade e assume os custos de uma melhoria realizada através da substituição de peças defeituosas, no caso de erros de material ou de produção, os quais surgem dentro do período da garantia, de acordo com o dia da compra.

Observe que em alguns países são válidas condições de garantia específicas. No caso de dúvidas, consulte seu revendedor. Como revendedor autorizado do produto, ele é responsável pela garantia.


Pedimos sua compreensão para o fato de que as causas de avarias listadas abaixo não possam ser levadas em consideração pela garantia:

- Não observância das instruções de serviço.
- Não realização dos trabalhos de manutenção e limpeza necessários.
- Avarias causadas por regulagem incorreta do carburador.
- Desgaste causado por uso normal.
- Sobrecarga visível por exceder constantemente o limite de capacidade.
- Utilização de tipos de barras guia e correntes não aprovadas.
- Utilização de comprimentos de barras guia e correntes não aprovadas.
- Uso de violência, manuseio incorreto, uso indevido ou acidente.
- Superaquecimento devido a impurezas na caixa do ventilador.

- Reparos por pessoas não capacitadas ou tentativas incorretas de manutenção.
- Utilização de peças não apropriadas ou não originais MAKITA, se estas forem a causa da avaria.
- Utilização de combustível não apropriado ou vencido.
- Avarias causadas pelas condições de trabalho da locadora.
- Avarias causadas pelo não aperto de parafusos em tempo oportuno.

Trabalhos de limpeza, manutenção e regulagem não são reconhecidos como direitos de garantia. Todos os trabalhos da garantia devem ser executados por um revendedor autorizado MAKITA.

## 9. Procura de avarias

Avaria	Sistema	Observação	Causa
A corrente não funciona	Freio da corrente	Motor funciona	Freio de corrente ativado
O motor não dá partida ou com dificuldade	Sistema de ignição	Centelha de ignição	Erro na alimentação de combustível, sistema de compressão, mau funcionamento mecânico
		Não há centelha de ignição	Interruptor STOP na posição  , erro ou curto-circuito nos cabos, tampa da vela de ignição ou vela de ignição danificada
	Abastecimento de combustível	Tanque de combustível está cheio	Interruptor combinado na posição Afogador, carburador defeituoso, cabeça de sucção sujo, condutor de combustível dobrado ou interrompido
	Sistema de compressão	Dentro do equipamento	Defeito na vedação da base do cilindro, anéis de vedação do eixo radial avariados, anéis do pistão ou do cilindro defeituosos
		Fora do equipamento	Vela de ignição não veda.
	Erro mecânico	Arranque não pega	Mola do motor de partida quebrada, peças quebradas dentro do motor
Problemas com a partida a quente	Carburador	Combustível no tanque Centelha de ignição	Regulagem do carburador incorreta.
O motor dá partida, mas morre logo depois	Abastecimento de combustível	Combustível no tanque	Regulagem da marcha lenta incorreta, cabeça de sucção ou carburador sujos Ventilação do tanque defeituosa, condutor de combustível interrompido, cabo avariado, Interruptor combinado avariado
Potência fraca	Vários sistemas podem estar envolvidos ao mesmo tempo	Equipamento funciona na marcha lenta	Filtro de ar sujo, regulação do carburador incorreta, silenciador obstruído, canal exaustão no cilindro obstruído, peneira de proteção contra faísca obstruída
Não há lubrificação da corrente	Tanque/bomba de óleo	Não há óleo na corrente de serra	Tanque de óleo vazio Ranhura de condução de óleo suja Parafuso de ajuste para a bomba de óleo desregulado

## 10. Sumário da lista de peças sobressalentes (Fig. 76)

Utilizar apenas as peças sobressalentes originais MAKITA.  
A oficina MAKITA é responsável por reparos e substituição de outras peças.

EA3200S, EA3201S  
EA3202S, EA3203S  
EA3201SG, EA3203SG



### Peças sobressalentes

Pos.	Qty.	Designação
1	1	Barra do sabre 3/8", 30 cm, 1,3 mm (12")
	1	Barra do sabre 3/8", 35 cm, 1,3 mm (14")
	1	Barra do sabre 3/8", 40 cm, 1,3 mm (16")
2	1	Corrente de serra 3/8" para 30 cm, 1,3 mm
	1	Corrente de serra 3/8" para 35 cm, 1,3 mm
	1	Corrente de serra 3/8" para 40 cm, 1,3 mm
1	1	Barra do sabre 3/8", 30 cm, 1,1 mm (12")
	1	Barra do sabre 3/8", 35 cm, 1,1 mm (14")
2	1	Corrente de serra 3/8" para 30 cm, 1,1 mm
	1	Corrente de serra 3/8" para 35 cm, 1,1 mm
1	1	Barra do sabre 3/8", 30 cm, 1,3 mm (12")
	1	Barra do sabre 3/8", 35 cm, 1,3 mm (14")
	1	Barra do sabre 3/8", 40 cm, 1,3 mm (16")
2	1	Corrente de serra 3/8" para 30 cm, 1,3 mm
	1	Corrente de serra 3/8" para 35 cm, 1,3 mm
	1	Corrente de serra 3/8" para 40 cm, 1,3 mm
1	1	Barra do sabre 3/8", 30 cm, 1,1 mm (12")
	1	Barra do sabre 3/8", 35 cm, 1,1 mm (14")
2	1	Corrente de serra 3/8" para 30 cm, 1,1 mm
	1	Corrente de serra 3/8" para 35 cm, 1,1 mm
3	1	Protetor da corrente para 30-35 cm (3/8")
	1	Protetor da corrente para 40 cm (3/8")
4	1	Chave universal SW 16/13
6	1	Chave de parafusos do carburador
7	1	Cabeça de sucção
8	1	Tampa do tanque de combustível compl.
9	1	Anel O 29,3 x 3,6 mm
10	1	Caixa de mola de retorno compl.
11	1	Mola
12	1	Arrastador
13	1	Cabo de partida 3,0 x 900 mm
14	1	Vela de ignição
15	1	Tampa do tanque de óleo compl.
16	1	Anel O 29,3 x 3,6 mm
17	1	Filtro de ar
18	1	Proteção de corrente compl.
	1	Proteção da roda dentada (com 2 apertos rápidos) compl.
19	2	Porca sextavada M8
20	1	Tambor de embreagem compl. 3/8", 6-Dentes
21	1	Arruela da cunha
22	1	Arruela
23	1	Peneira de proteção contra faísca



### Acessórios (não fornecidos com a motosserra)

25	1	Calibre de medição de corrente
26	1	Bloco de limas
27	1	Lima redonda ø 4,5 mm
28	1	Lima redonda ø 4,0 mm
29	1	Lima chata
30	1	Suporte de lima (com lima redonda ø 4,5 mm)
31	1	Suporte de lima (com lima redonda ø 4,0 mm)
32	1	Chave de parafusos angular
-	1	Reservatório combinado (para 5 litros de combustível, 3 litros de óleo de corrente)



**Makita Corporation**  
Anjo, Aichi, Japan

884987H367

[www.makita.com](http://www.makita.com)

ALA